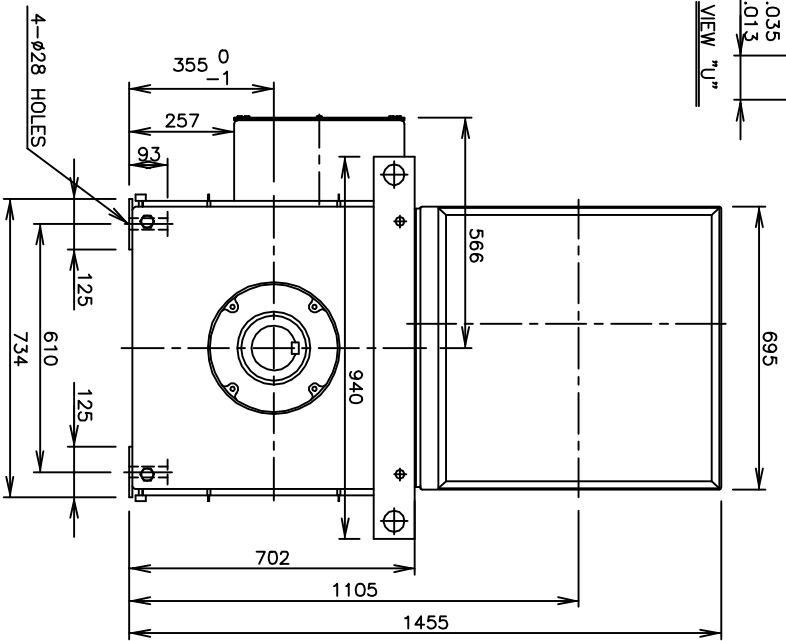
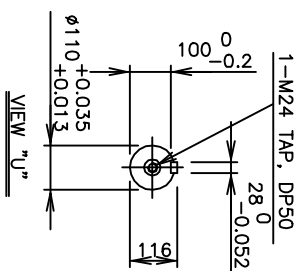
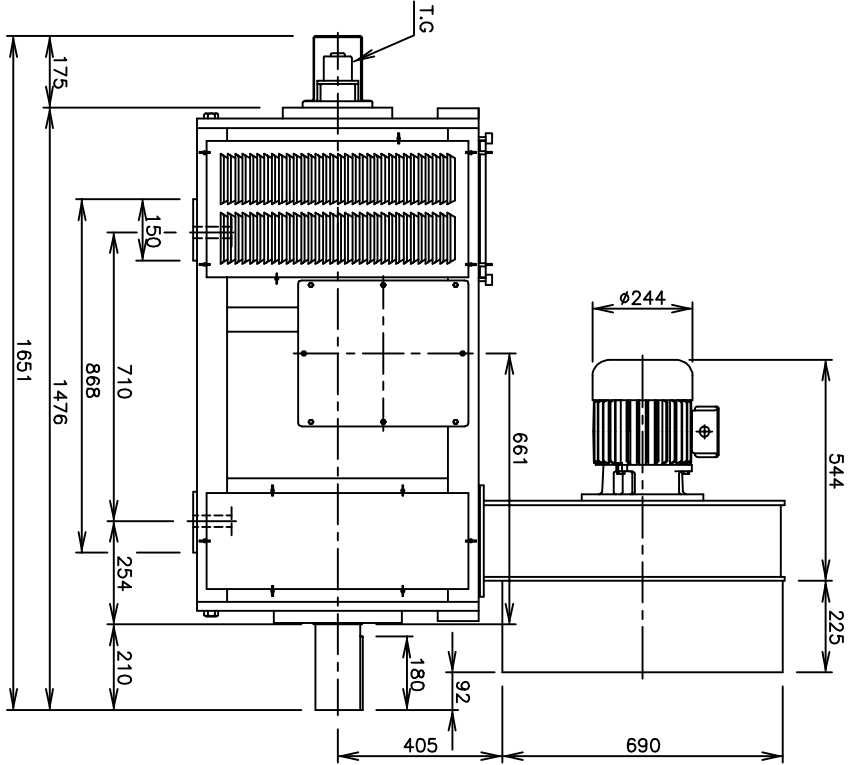


TYPE		D.C MOTOR		LAB 355LB		DWG.NAME		OUTLINE DIMENSION	
APPR	CHECK	DESIGN	DRAWN	THIRD ANGLE	SCALE	N / S	DATE:00.08.23	REF. DWG. NO.	DWG. NO.
K. J. Lee		y. J. Bang		PROJECTION				1 D E 1 0 3 2 6 H 0 2	
HYOSUNG CORPORATION									



Technical drawing layout with coordinate markers A-E and 1-5.