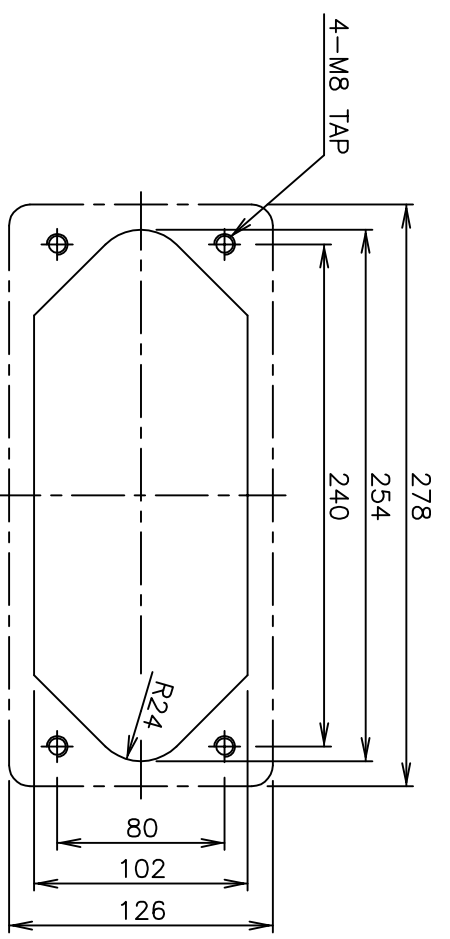
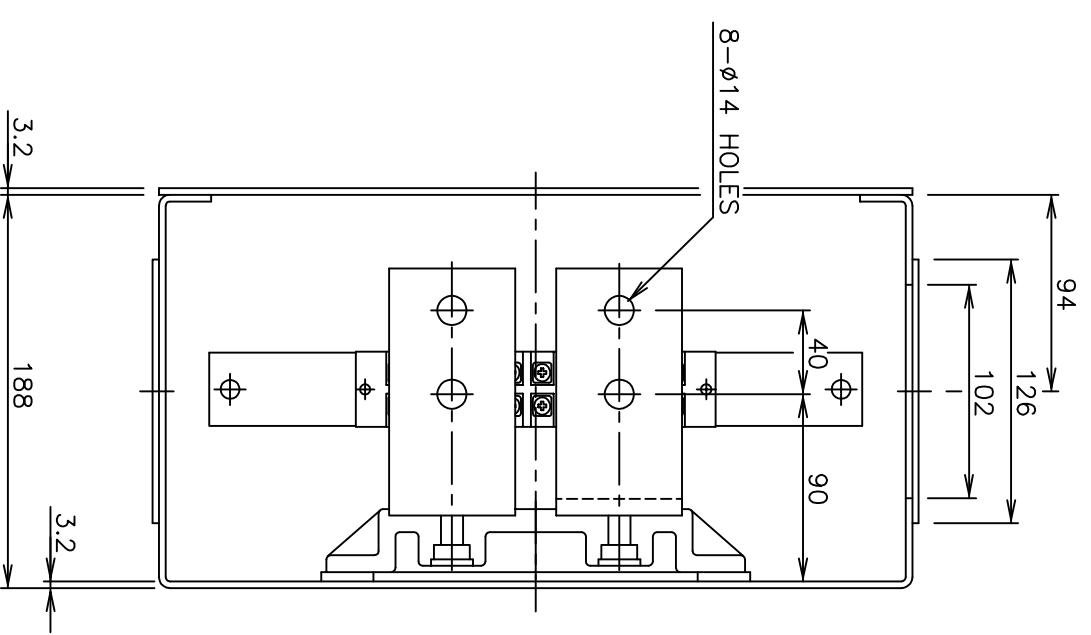
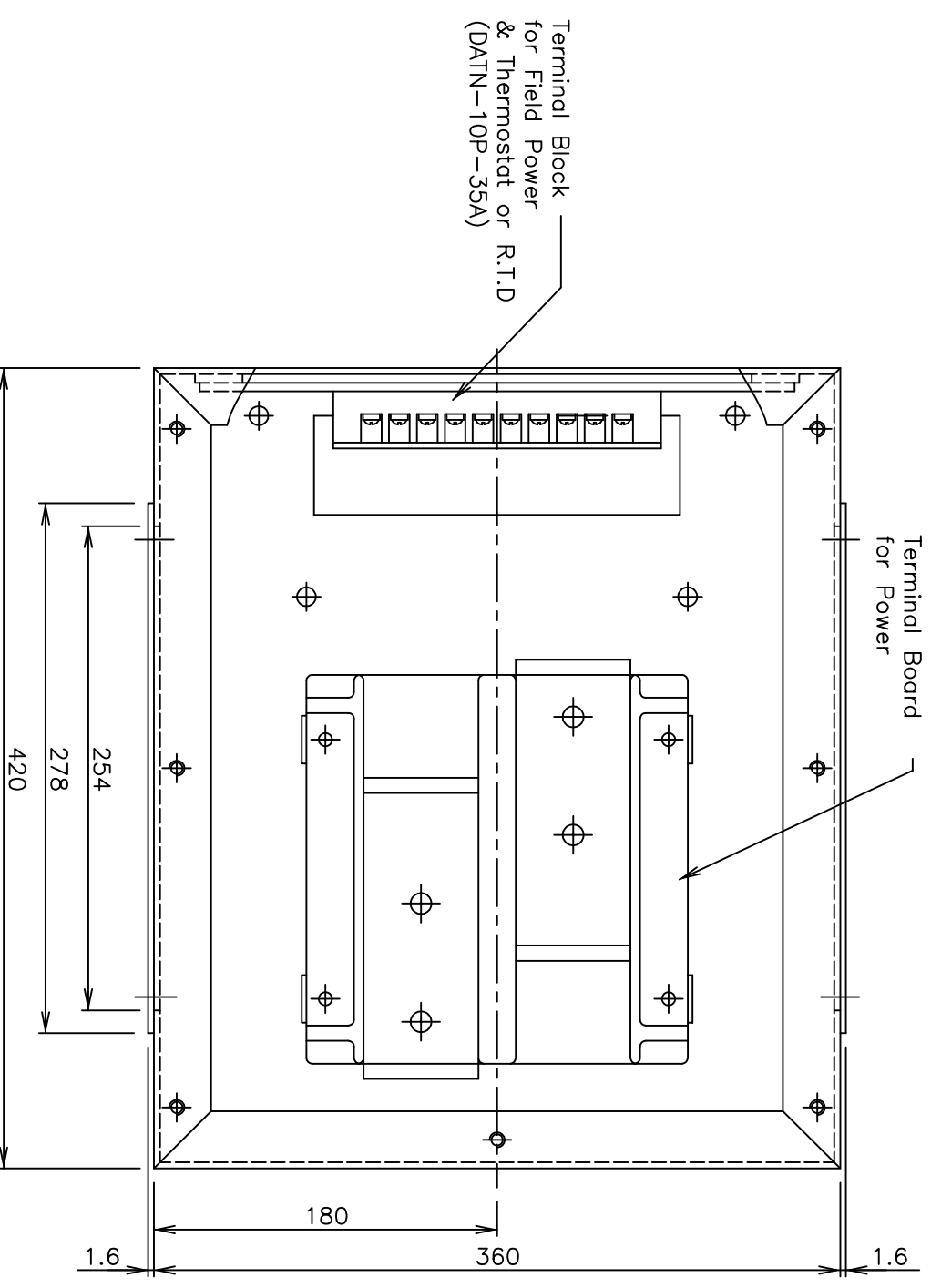


5830001

DWG. NO.

IT. NO.	NAME	MATERIAL	DWG. NO. MATERIAL CODE	Q'TY	SIZE	REMARKS
01						
02						
03						



TYPE: D.C. MOTOR
LAR225,250

DWG. NAME: CODUIT BOX & COVER

APPR OVED	CHECK	DESIGN	DRAWN	THIRD ANGLE PROJECTION	SCALE	N / S	DATE.05.07.05
<i>J.K. J. Joo</i>	<i>J.K. Joo</i>	<i>J.K. Joo</i>	<i>J.K. Joo</i>				

HYOSUNG CORPORATION

DWG. NO. 1 D 0 0 0 3 8 5

DATE	MARK	REMARK	DSGN	CHK	APRD