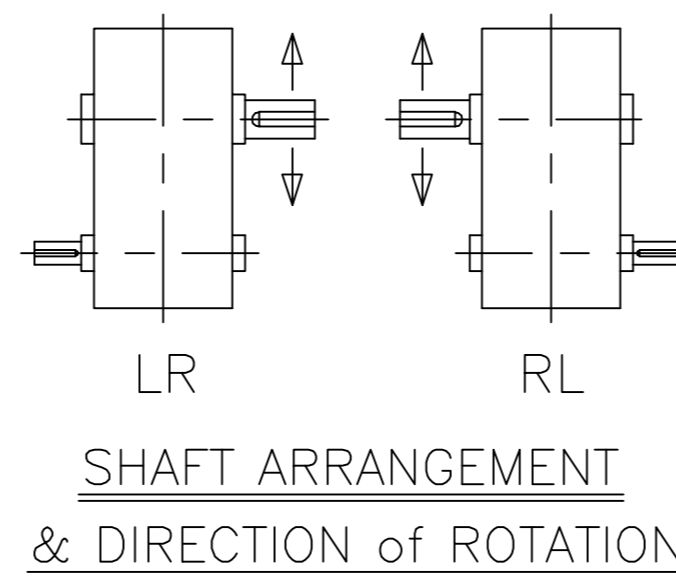
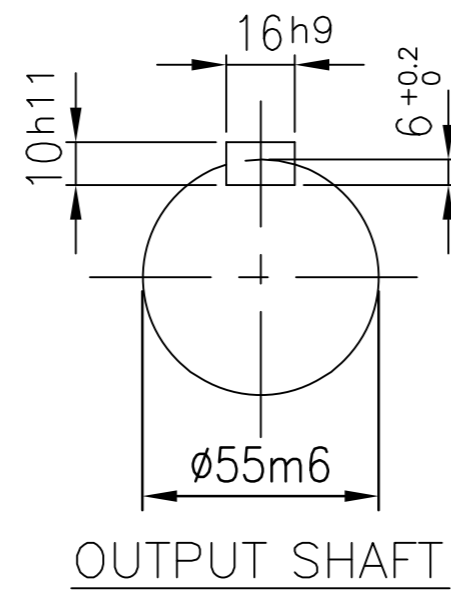
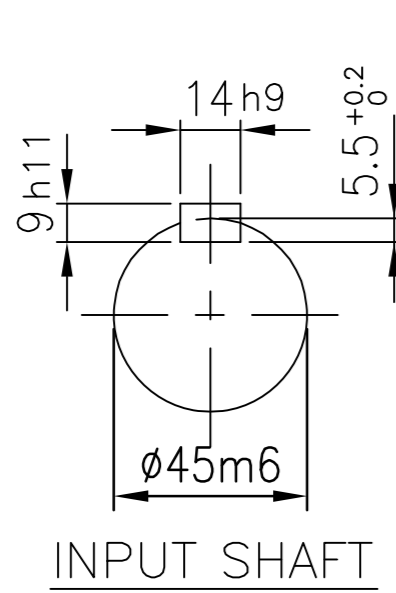
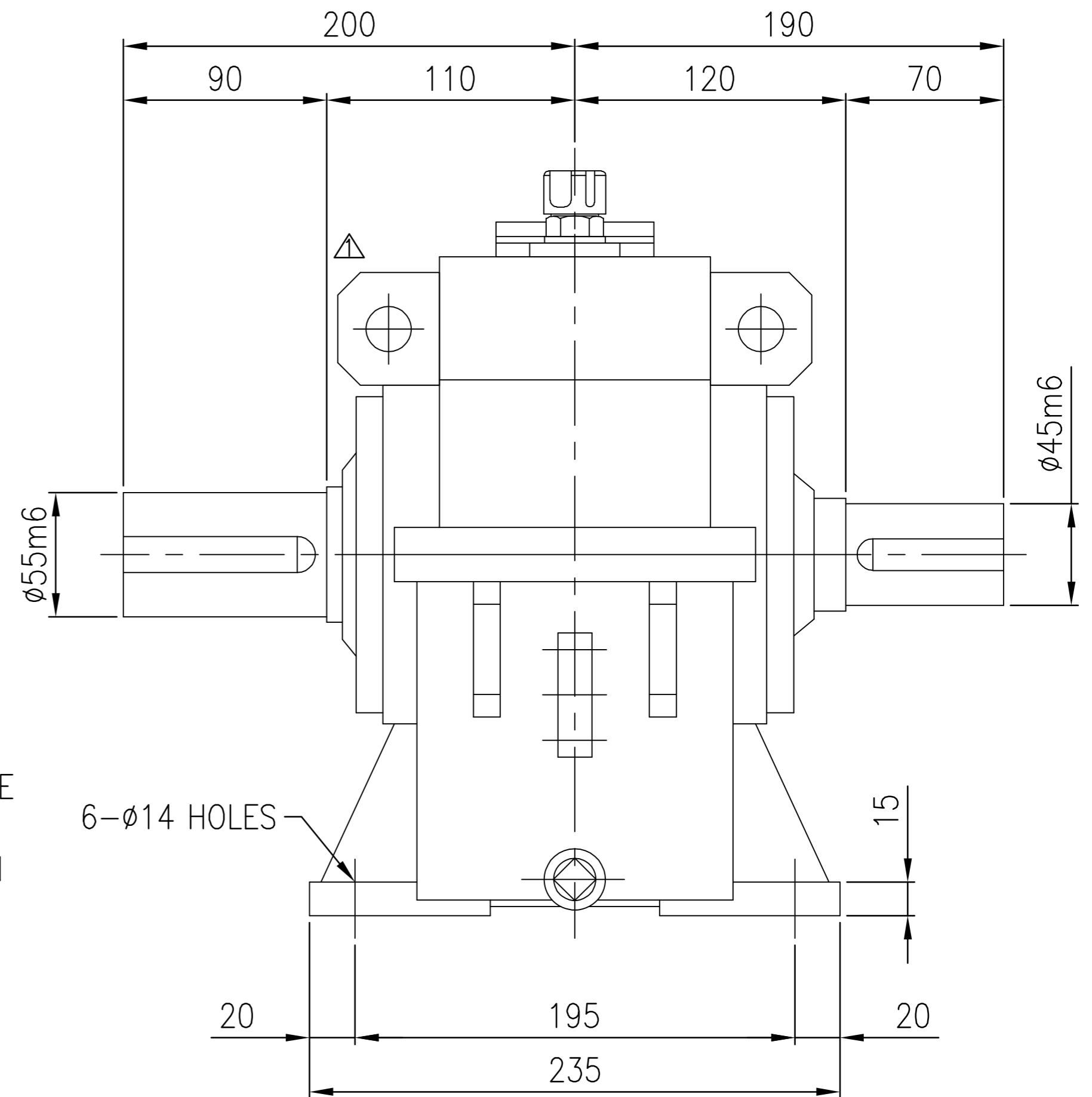
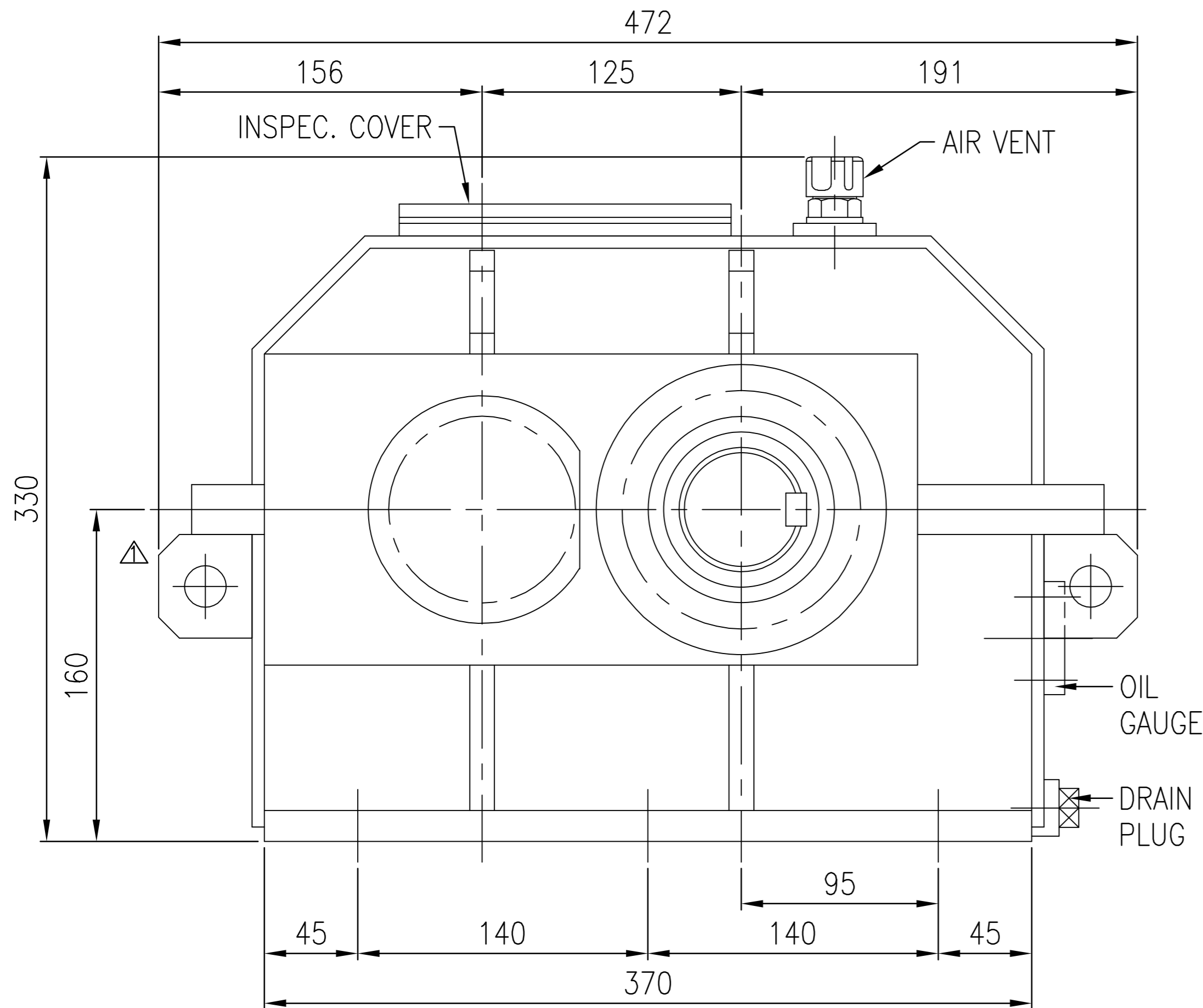


No.	NAME	MATERIAL	DWG/MATL No.	CODE	Q'TY	SIZE	WEIGHT	REMARK
-----	------	----------	--------------	------	------	------	--------	--------



DWG NAME		기어박스 외형도			
DIMENSION					
DWG No.	EK1DO00060			UNIT	mm
SCALE	1:2			DATE	1999-02-02
No.	DATE	DESCRIPTION of REVISION	DESIGNED	CHECKED	REVIEWED
2013.09.17		CHANGED LIFTING LUG	박선향	서성민	김기동
FORM		HYOSUNG		REVISION NO.	01
CE-14-0100-442		2012.02.08		PROJECTION	☉
ITEM		SHA12 (i=2~2.8)		REF. NO.	DSKEN501