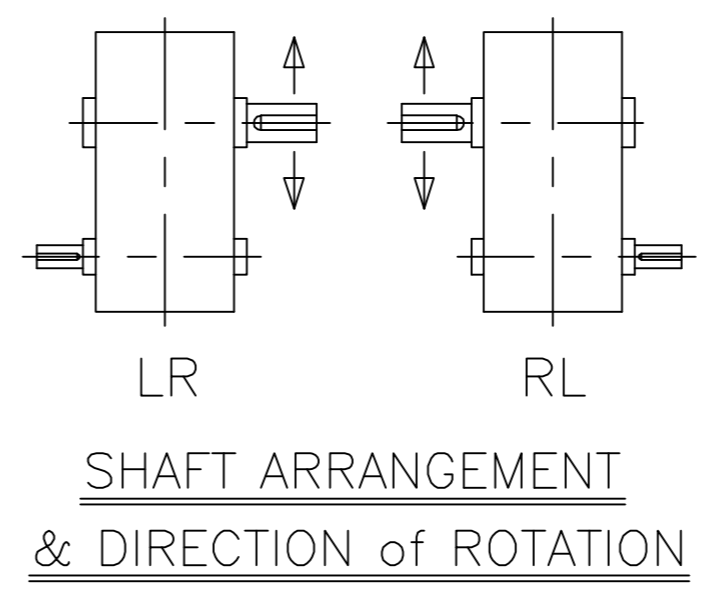
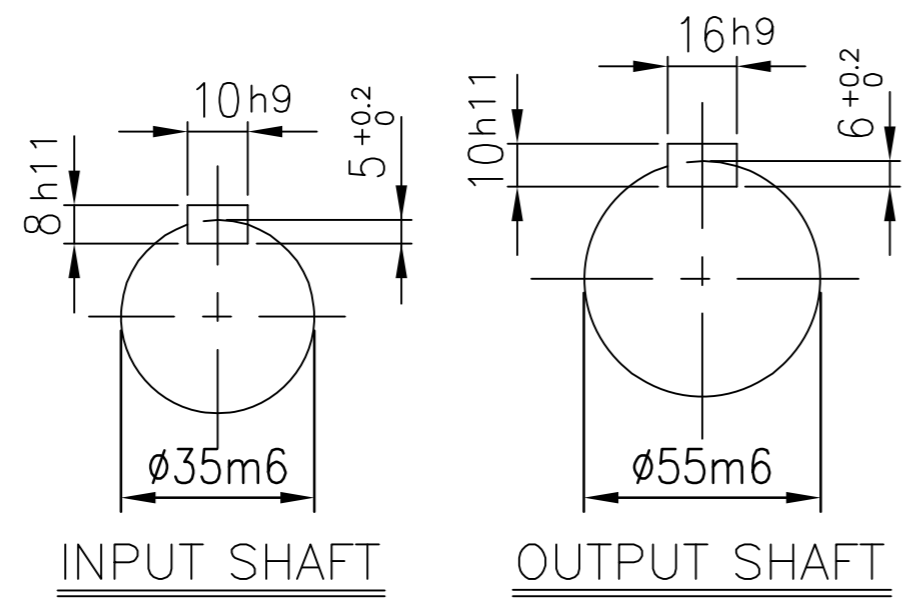
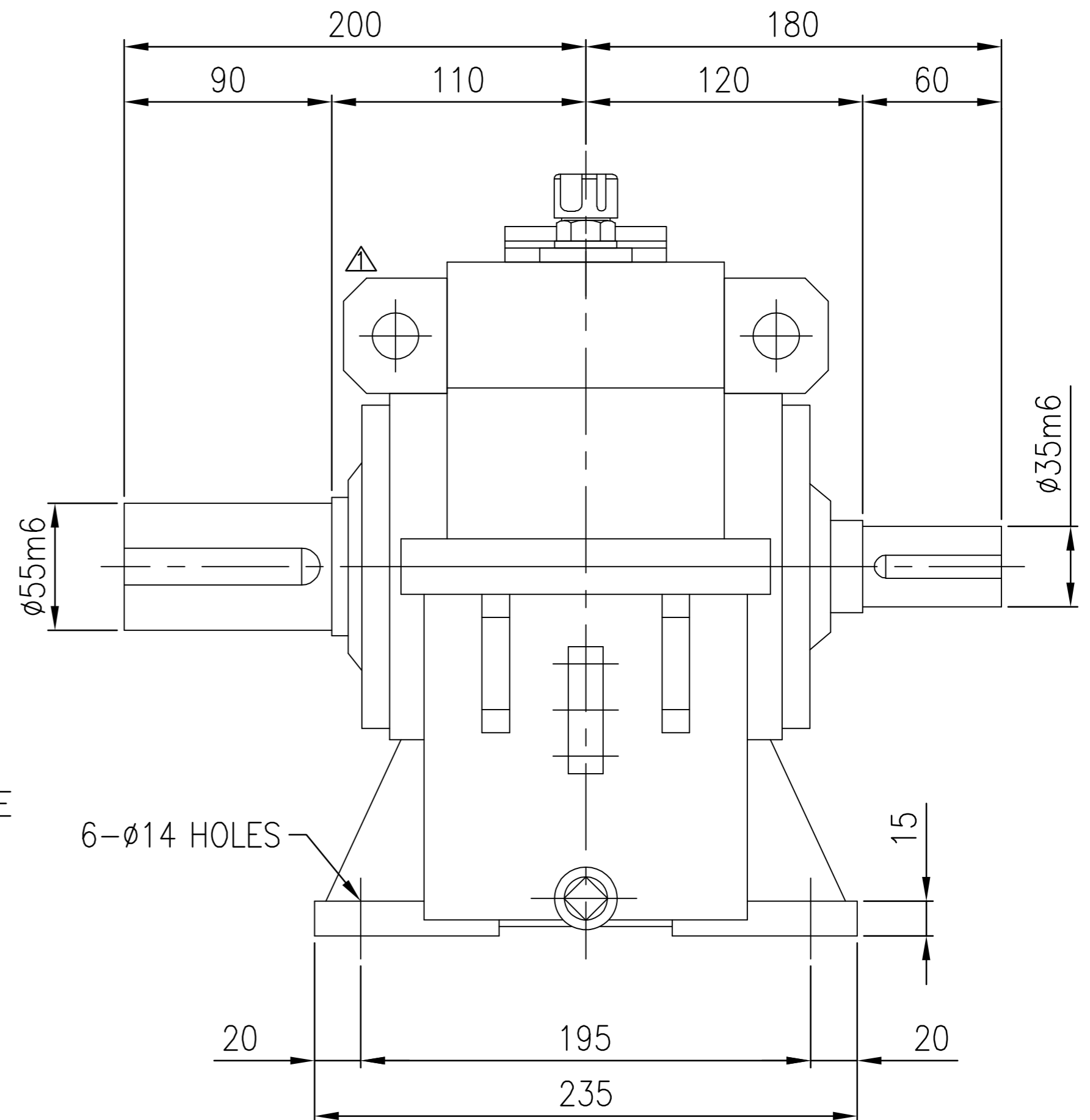
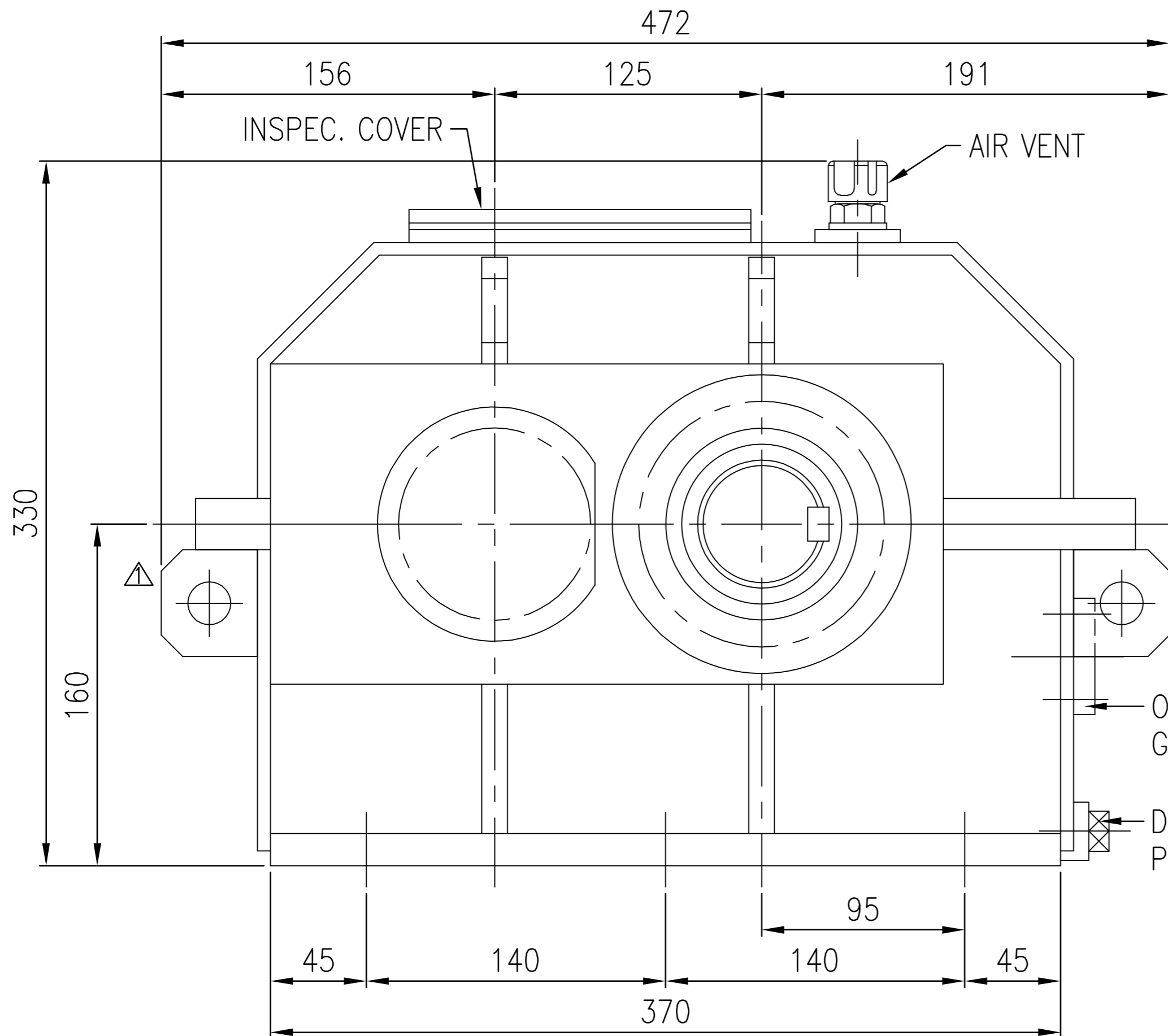


No.	NAME	MATERIAL	DWG/MATL No.	CODE	Q'TY	SIZE	WEIGHT	REMARK
-----	------	----------	--------------	------	------	------	--------	--------



DWG NAME		기어박스 외형도 DIMENSION						
No.	DATE	DESCRIPTION of REVISION	DESIGNED	CHECKED	REVIEWED	APPROVED	DATE	REVISION NO.
2013.09.17	09.17	CHANGED LIFTING LUG	박선향	서성민		김기동	1999-02-02	01
FORM		HYOSUNG		REF. NO.		DSKEN502		(A)
CE-14-0100-442		SHA12 (i=3.15~4.5)						
2012.02.08								