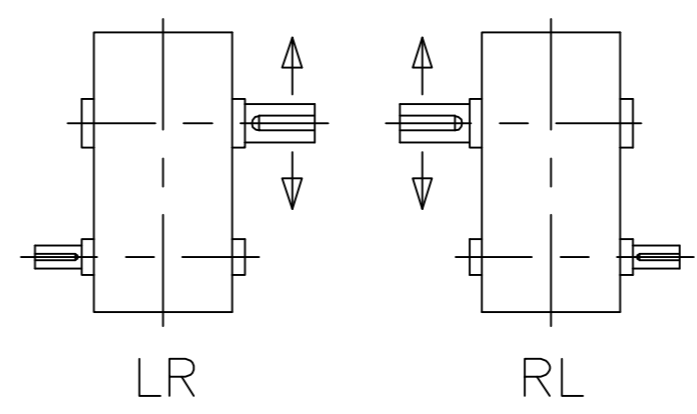
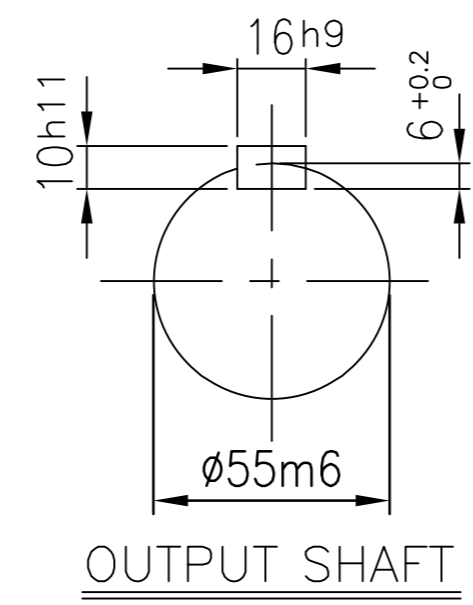
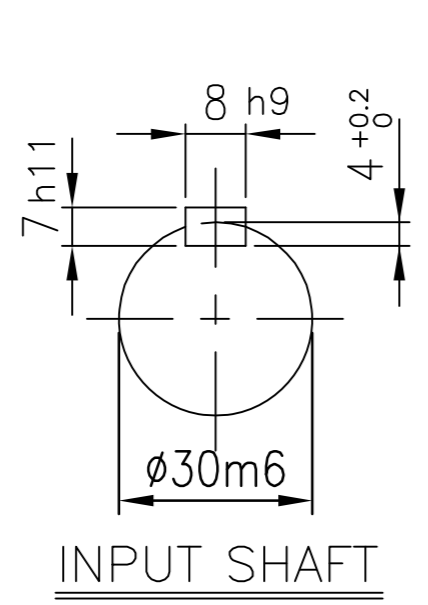
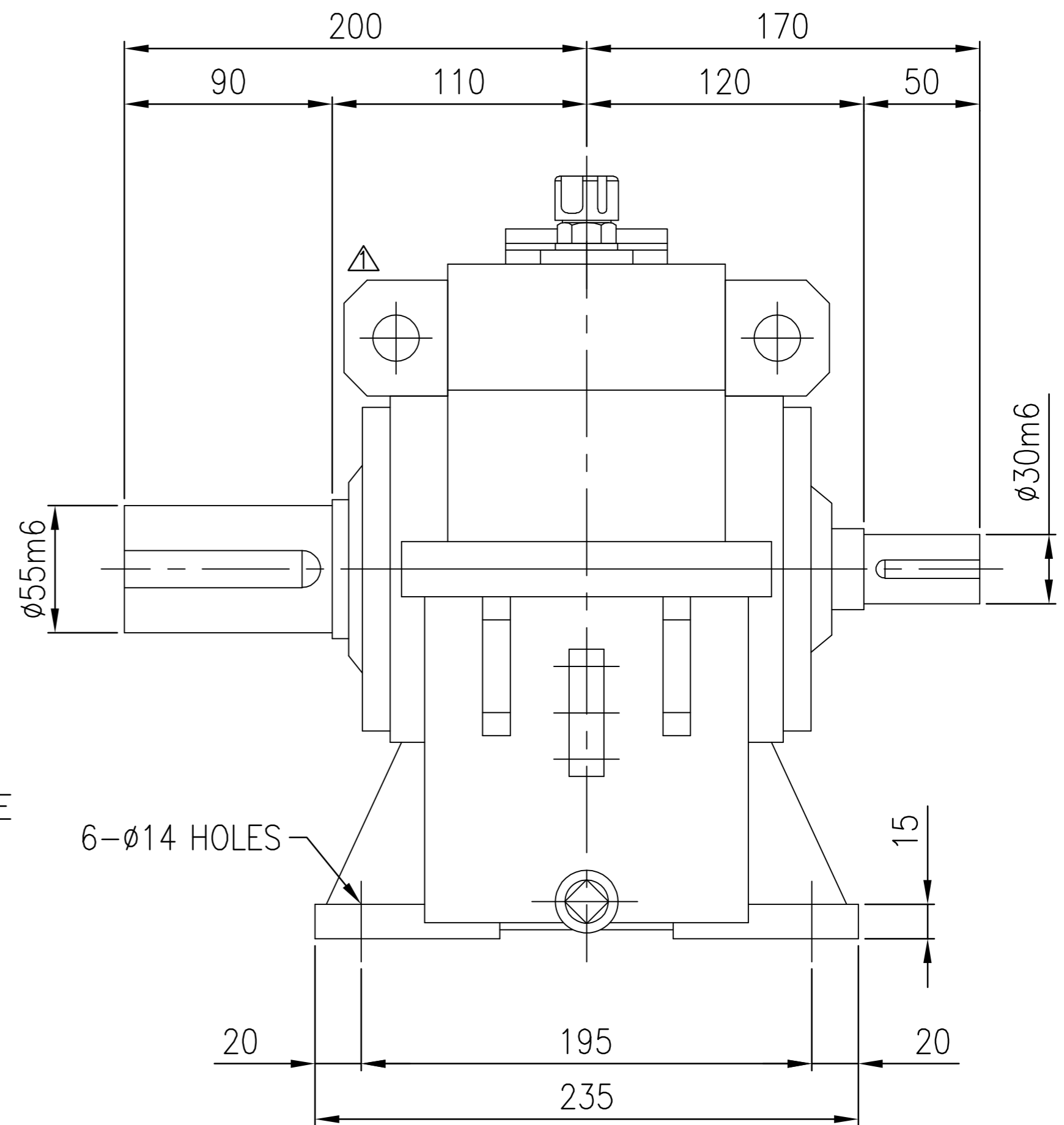
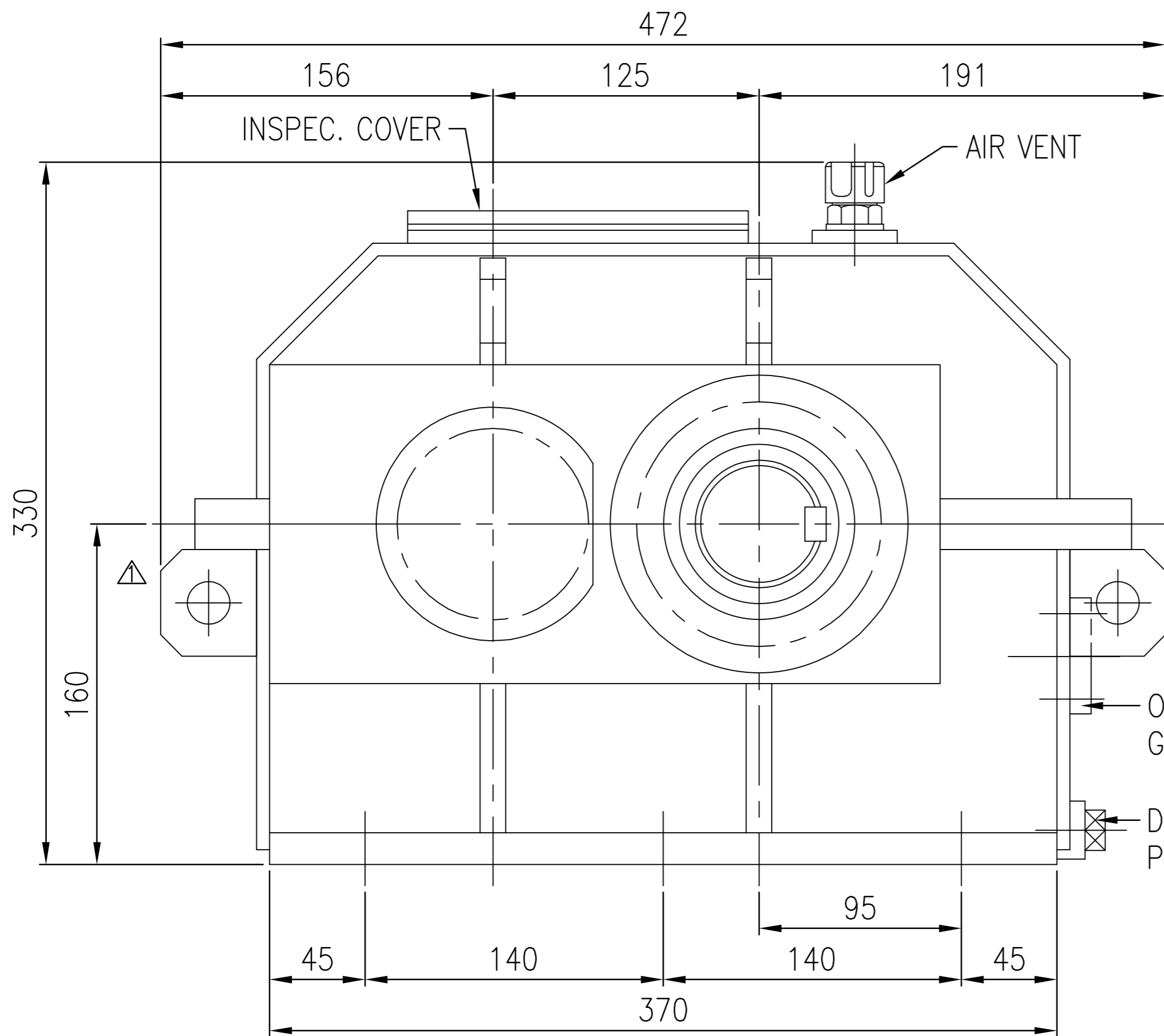


No.	NAME	MATERIAL	DWG/MATL No.	CODE	Q'TY	SIZE	WEIGHT	REMARK
-----	------	----------	--------------	------	------	------	--------	--------



SHAFT ARRANGEMENT
& DIRECTION of ROTATION

DWG NAME		기어박스 외형도 DIMENSION			
2013.09.17	CHANGED LIFTING LUG	DWG No. EK1DO00062		UNIT	mm
No. DATE		DESIGNED	CHECKED	REVIEWED	APPROVED
FORM CE-14-0100-442 2012.02.08				2013.10.24	2013.10.24
ITEM		SHA12 (i=5~6.3)		REVISION NO.	01
REF. NO.		DSKEN503		PROJECTION	