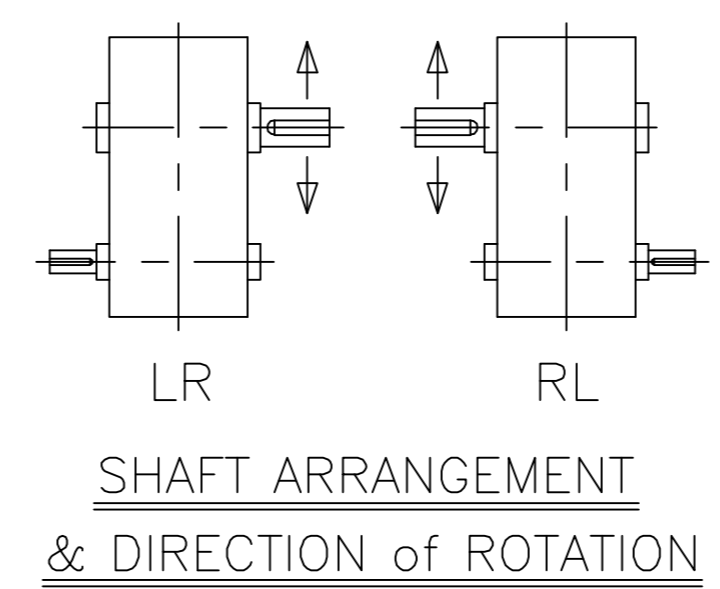
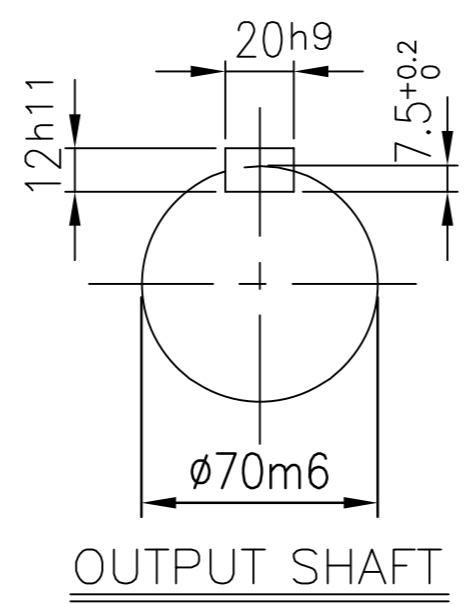
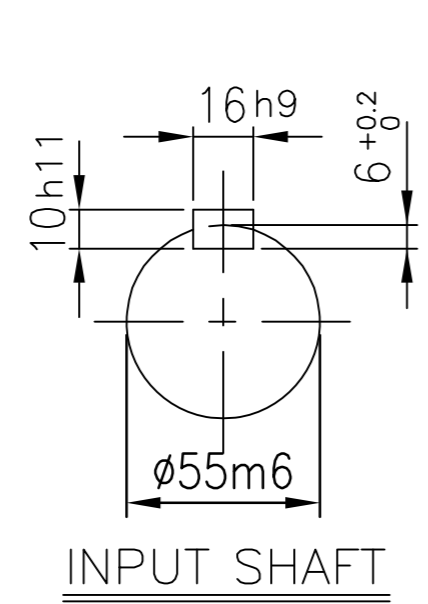
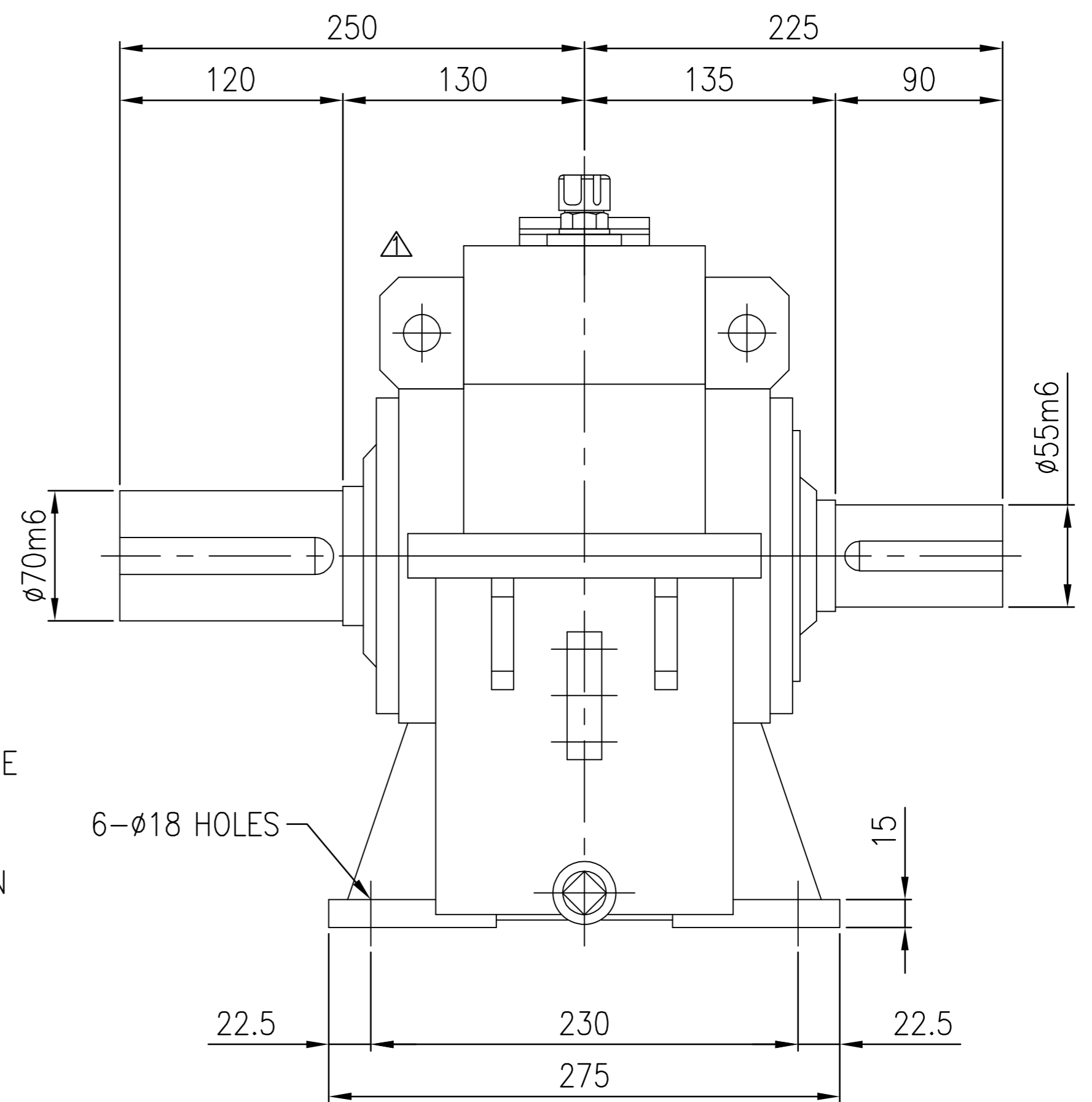
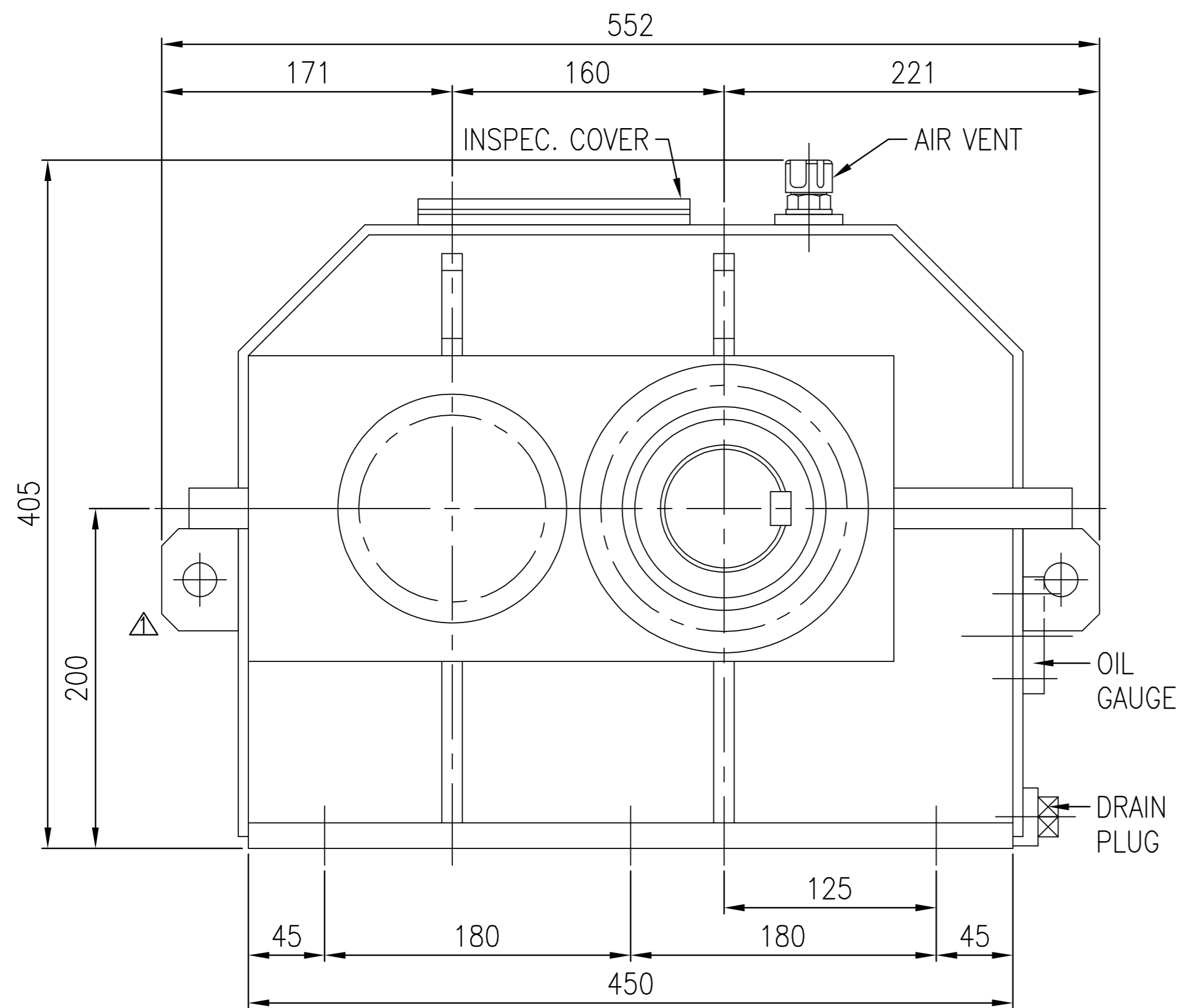


No.	NAME	MATERIAL	DWG/MATL No.	CODE	Q'TY	SIZE	WEIGHT	REMARK
-----	------	----------	--------------	------	------	------	--------	--------



DWG NAME		기어박스 외형도				DIMENSION	
2013.09.26	CHANGED LIFTING LUG	DWG No. EK1DO00063		UNIT	mm		
No.	DATE	DESIGNED	CHECKED	REVIEWED	APPROVED	DATE	2013-09-26
FORM CE-14-0100-442 2012.02.08				2013.10.24	2013.10.24	2013.10.24	REVISION NO. 01
ITEM		SHA16 (i=2~2.8)		박선향	서성민	김기동	PROJECTION
REF. NO.		DSKEN504				(A)	