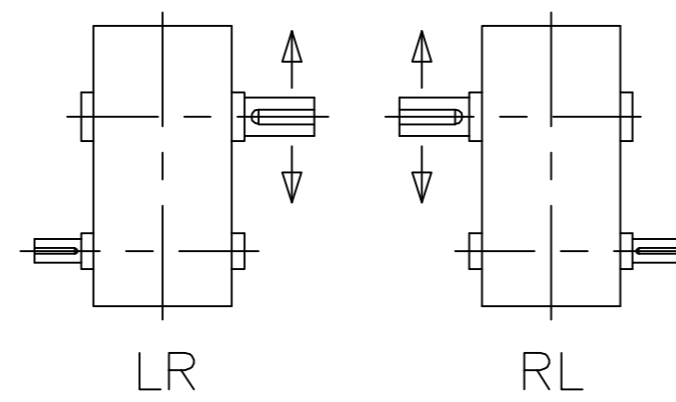
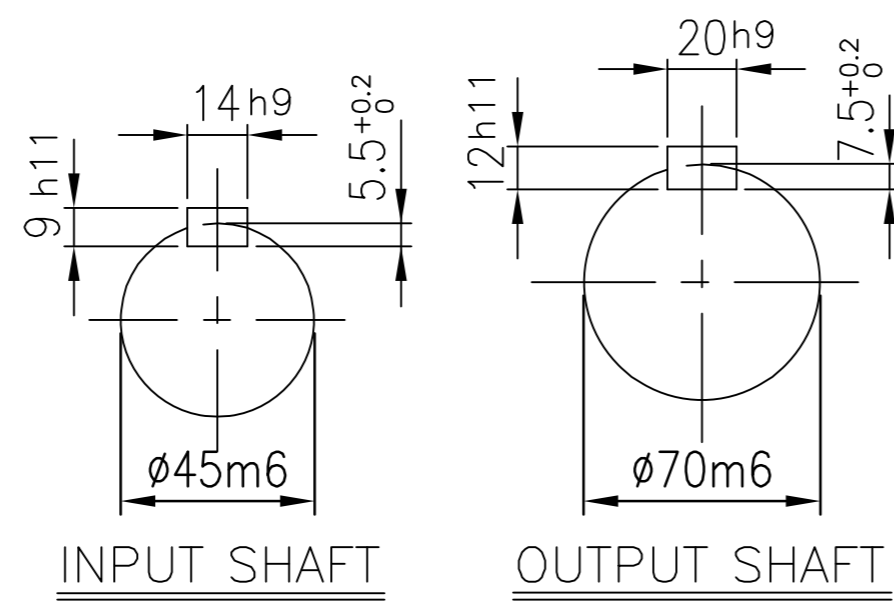
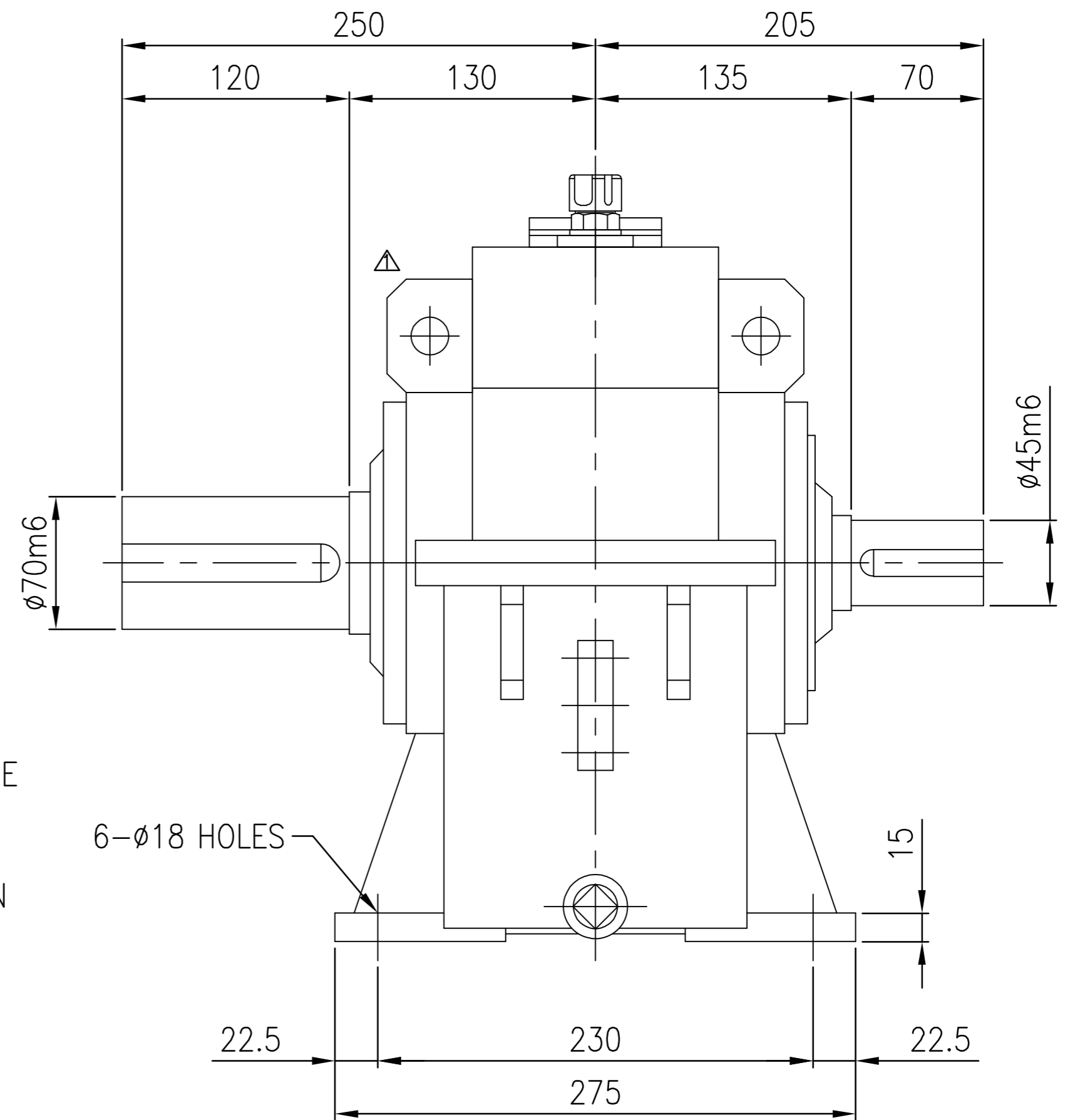
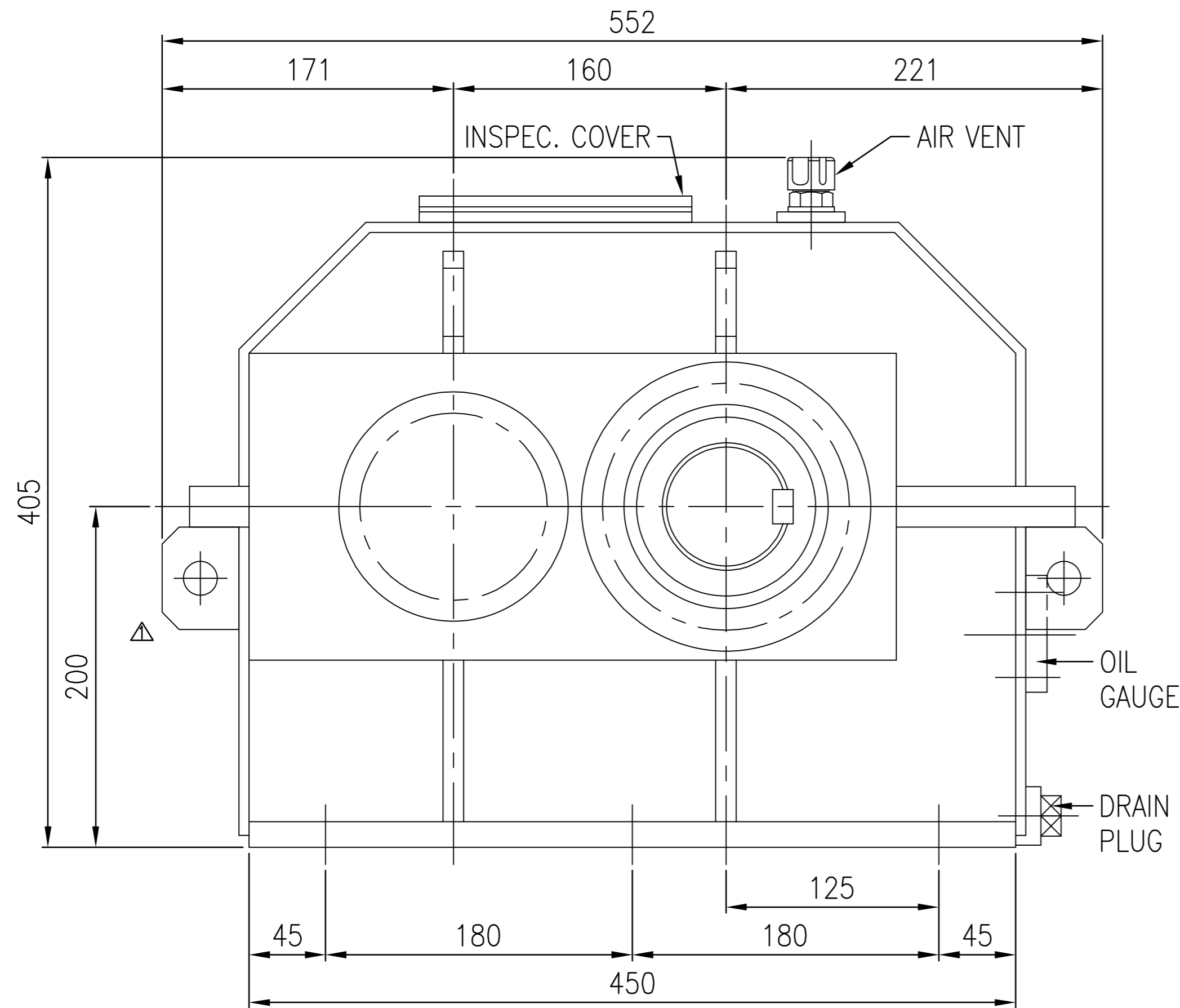


No.	NAME	MATERIAL	DWG/MATL No.	CODE	Q'TY	SIZE	WEIGHT	REMARK
-----	------	----------	--------------	------	------	------	--------	--------



DWG NAME		기어박스 외형도			
DIMENSION		DIMENSION			
2013.09.26	CHANGED LIFTING LUG	EKG1DO00064		UNIT	mm
No.	DATE	DESIGNED	CHECKED	REVIEWED	APPROVED
2013.10.24	박선향	2013.10.24	서성민	2013.10.24	김기동
DESCRIPTION of REVISION		DATE	2013-09-26		
FORM		REVISION NO.	01		
CE-14-0100-442		PROJECTION	A		
2012.02.08		REF. NO.	DSKEN505		
ITEM		SHA16 (i=3.15~4.5)			