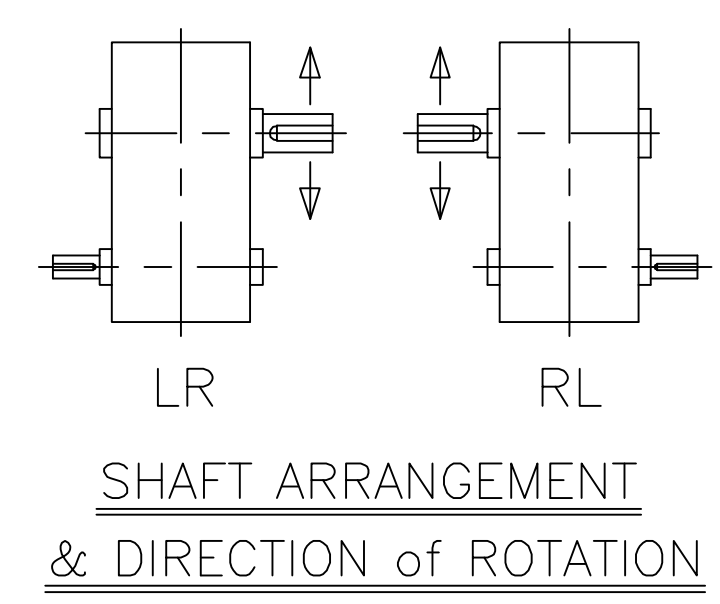
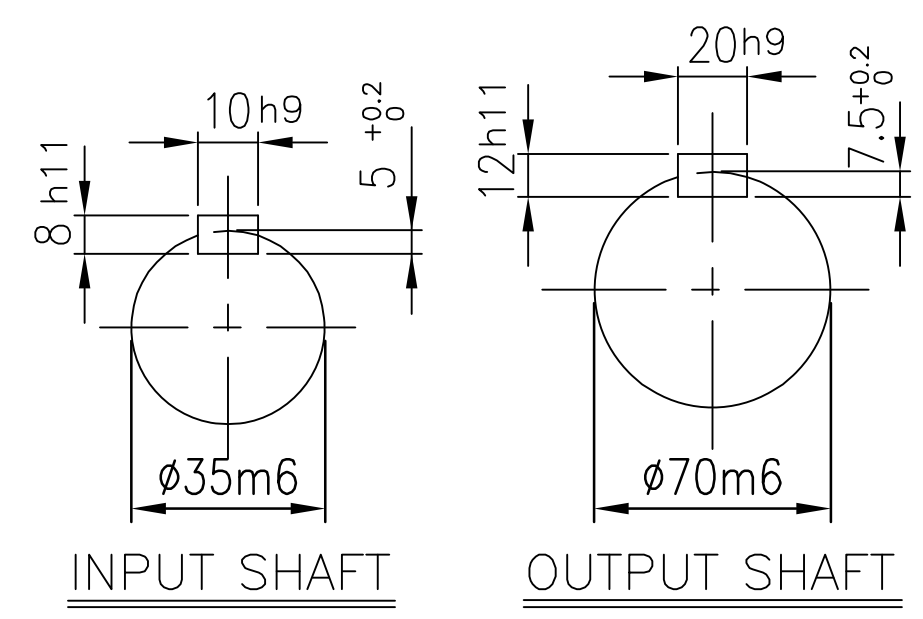
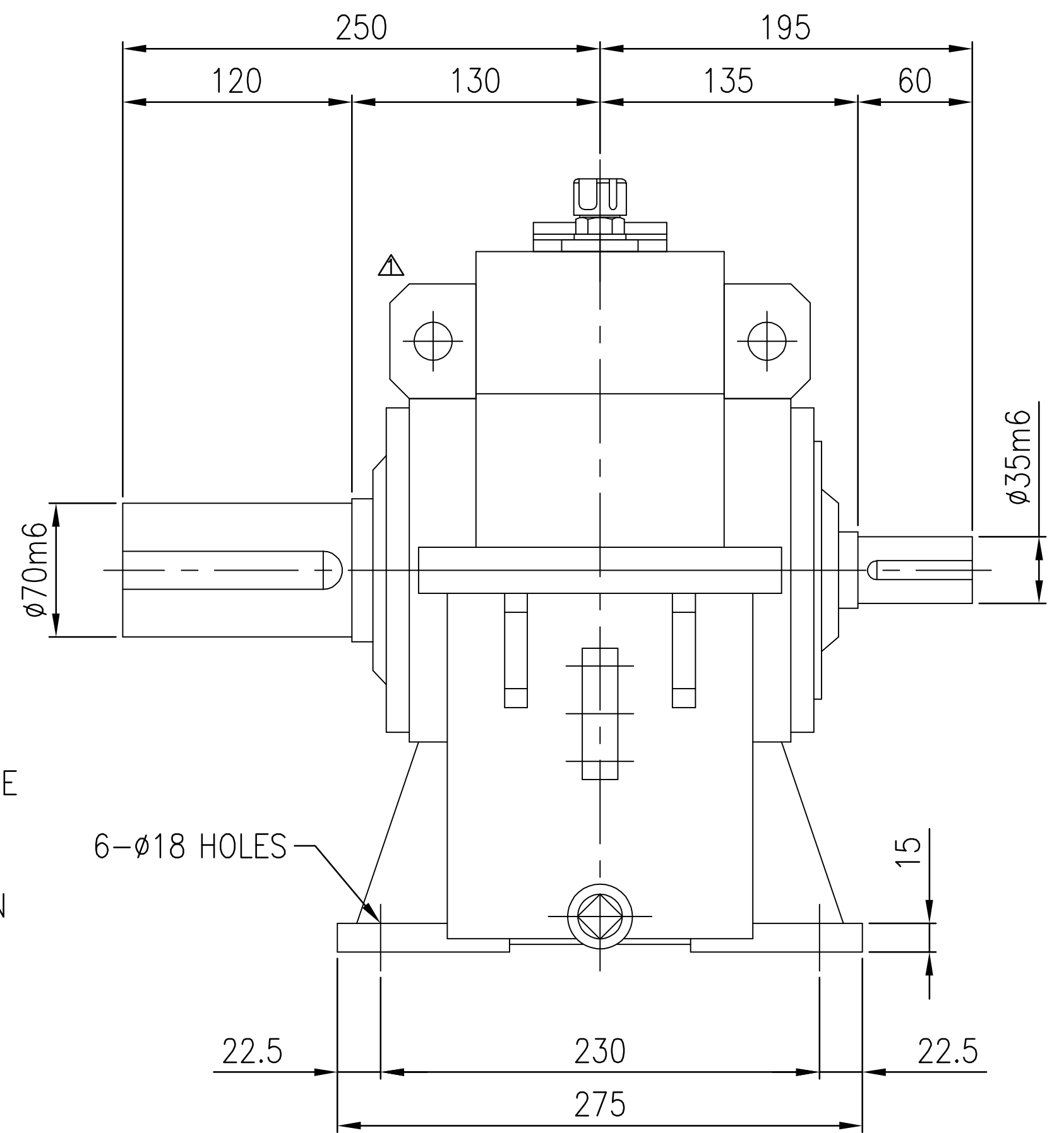
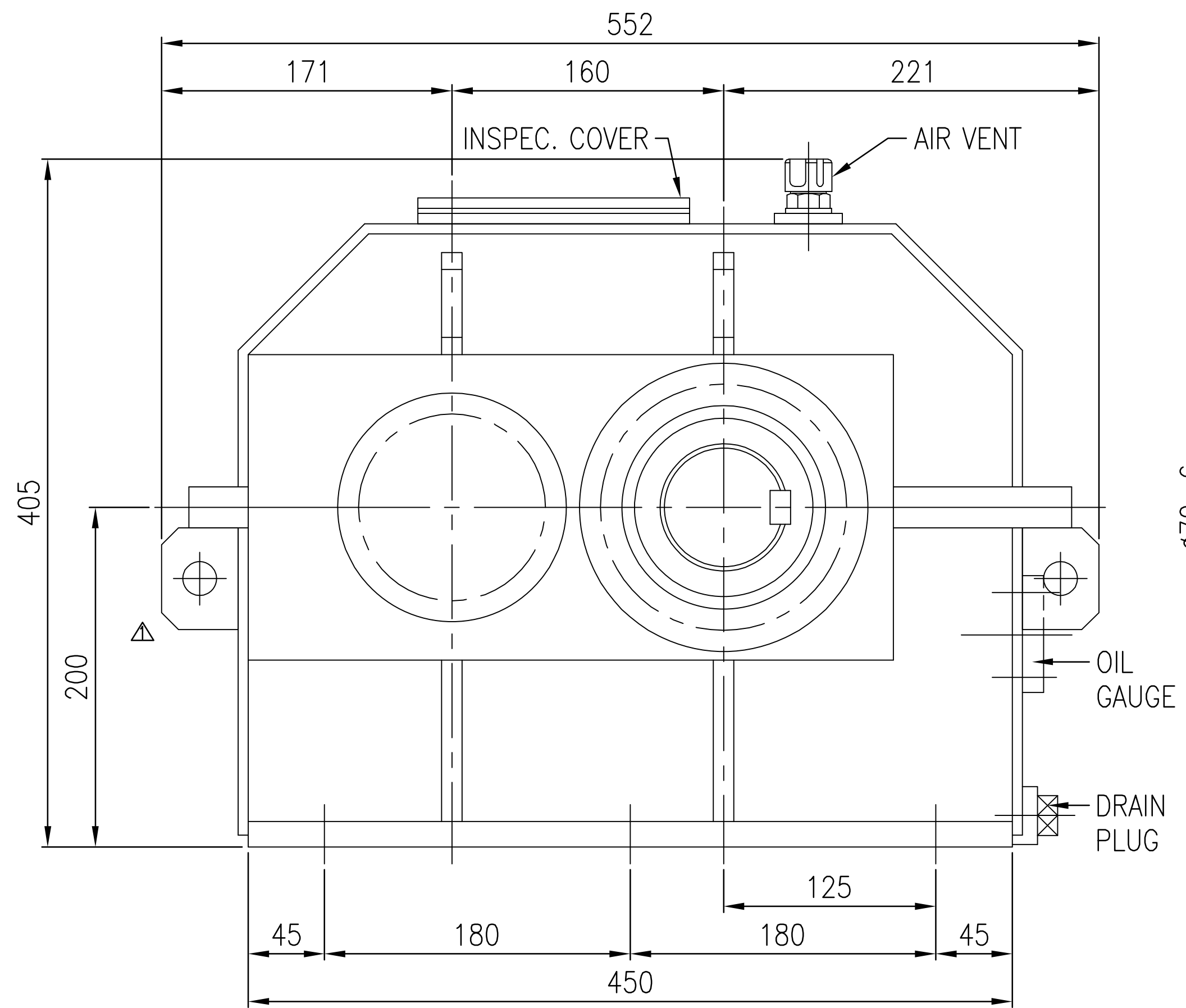


No.	NAME	MATERIAL	DWG/MATL No.	CODE	Q'TY	SIZE	WEIGHT	REMARK
-----	------	----------	--------------	------	------	------	--------	--------



DWG NAME		기어박스 외형도			
DIMENSION		DIMENSION			
2013.09.26	CHANGED LIFTING LUG	EKG1DO00065		UNIT	mm
No. DATE		DESIGNED	CHECKED	REVIEWED	APPROVED
DESCRIPTION OF REVISION		2013.10.24	2013.10.24		2013.10.24
FORM		REVISED		REVISION NO.	01
CE-14-0100-442		서성민		PROJECTION	☉
2012.02.08		김기동		DATE	2013-09-26
ITEM		SHA16 (i=5~6.3)		REF. NO.	DSKEN506