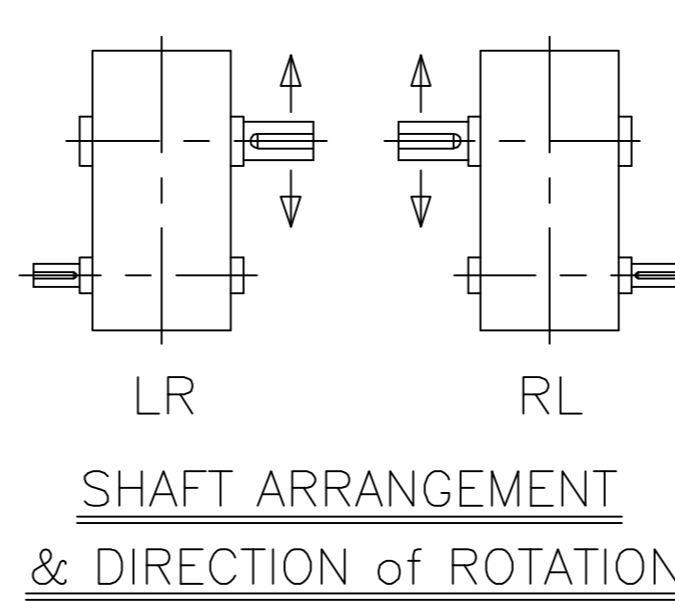
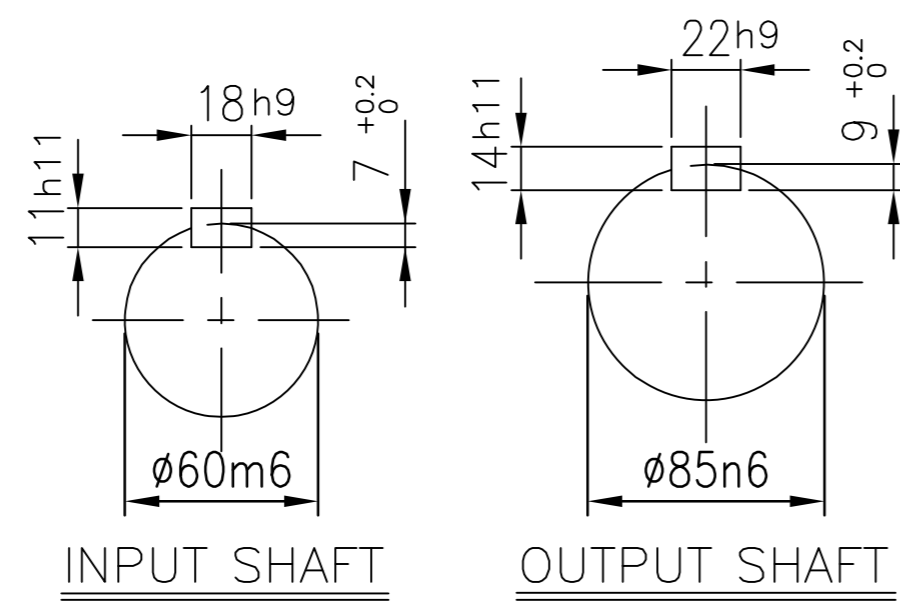
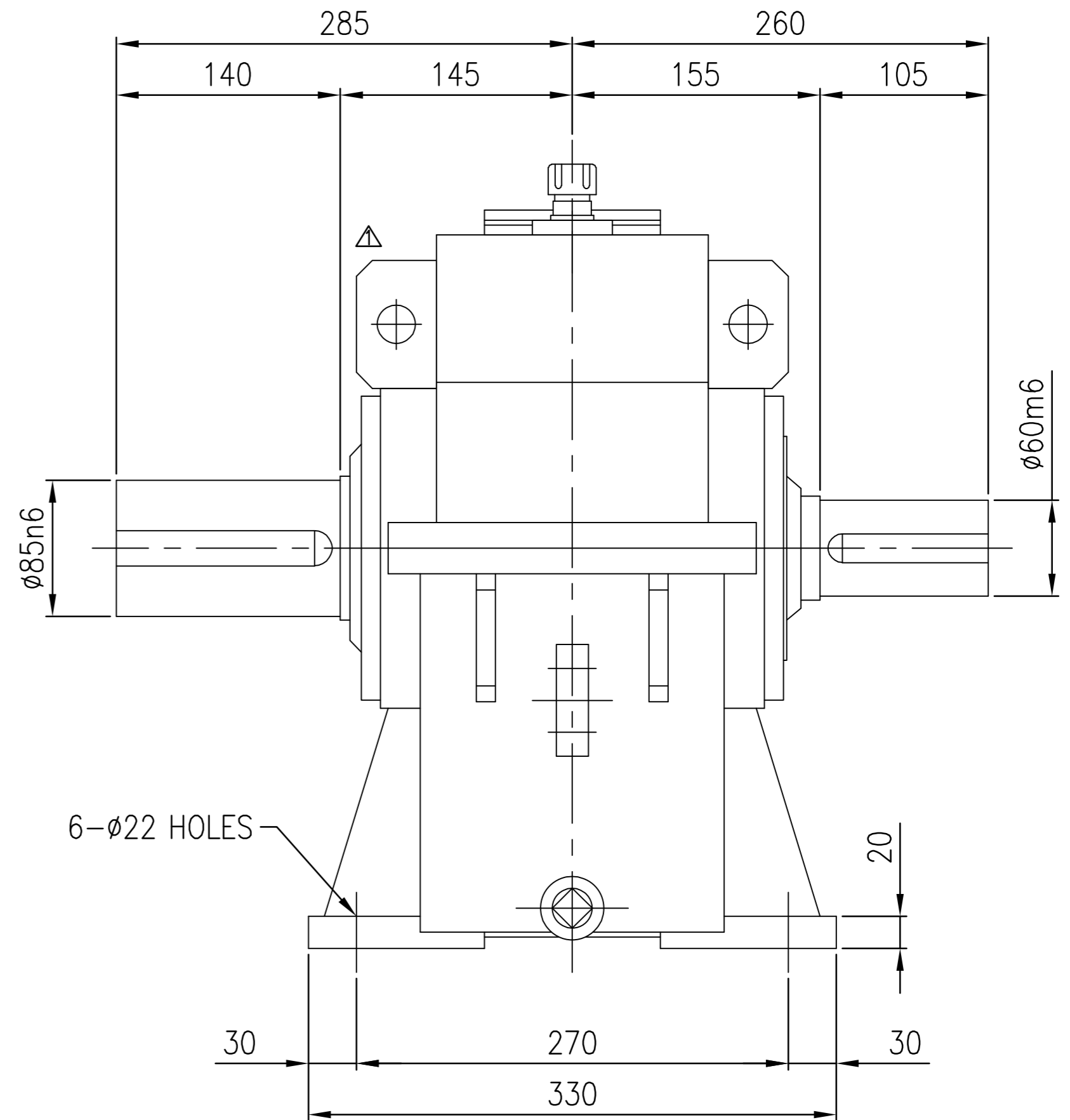
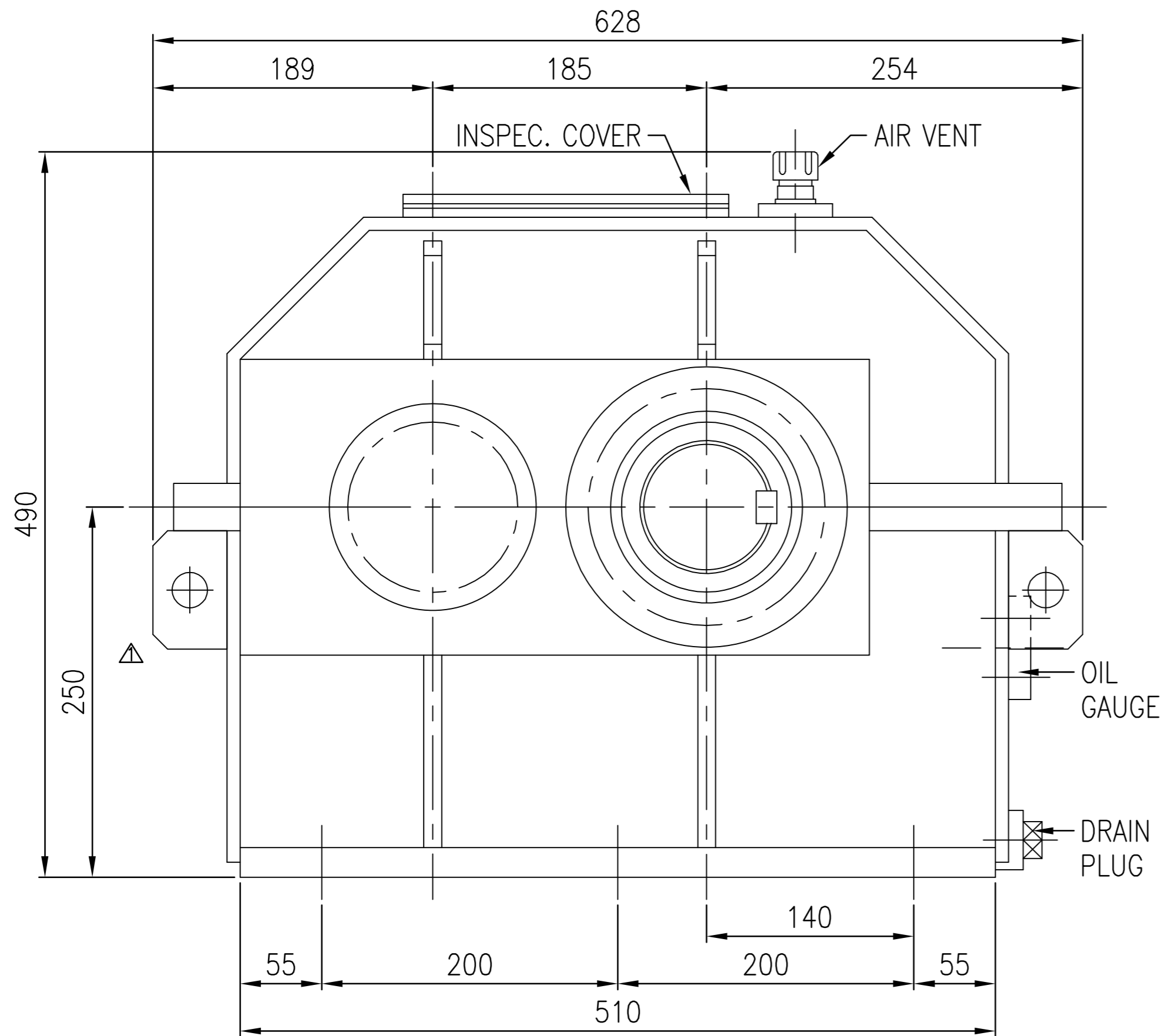


No.	NAME	MATERIAL	DWG/MATL No.	CODE	Q'TY	SIZE	WEIGHT	REMARK
-----	------	----------	--------------	------	------	------	--------	--------



DWG NAME		기어박스 외형도 DIMENSION			
2013.09.26	CHANGED LIFTING LUG	DWG No. EK1DO00066		UNIT	mm
No.	DATE	DESIGNED	CHECKED	REVIEWED	APPROVED
2013.10.24	박선향	2013.10.24	서성민	2013.10.24	김기동
FORM CE-14-0100-442 2012.02.06		HYOSUNG		REVISION NO.	01
ITEM		SHA18 (i=2~2.8)		PROJECTION	☉
REF. NO.		DSKEN507		DATE 2013-09-26	