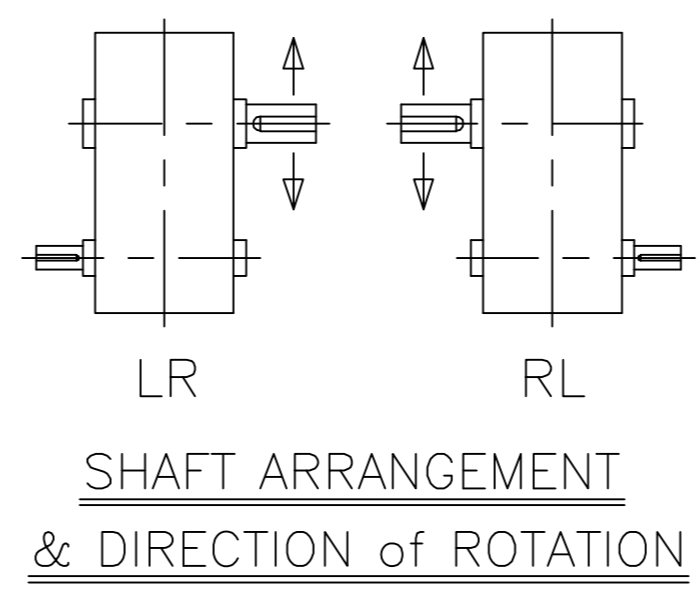
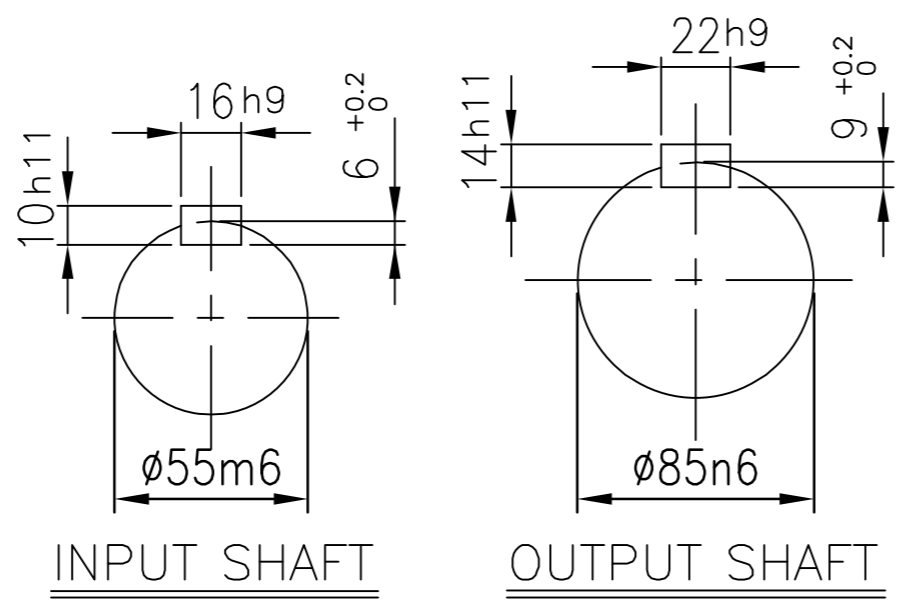
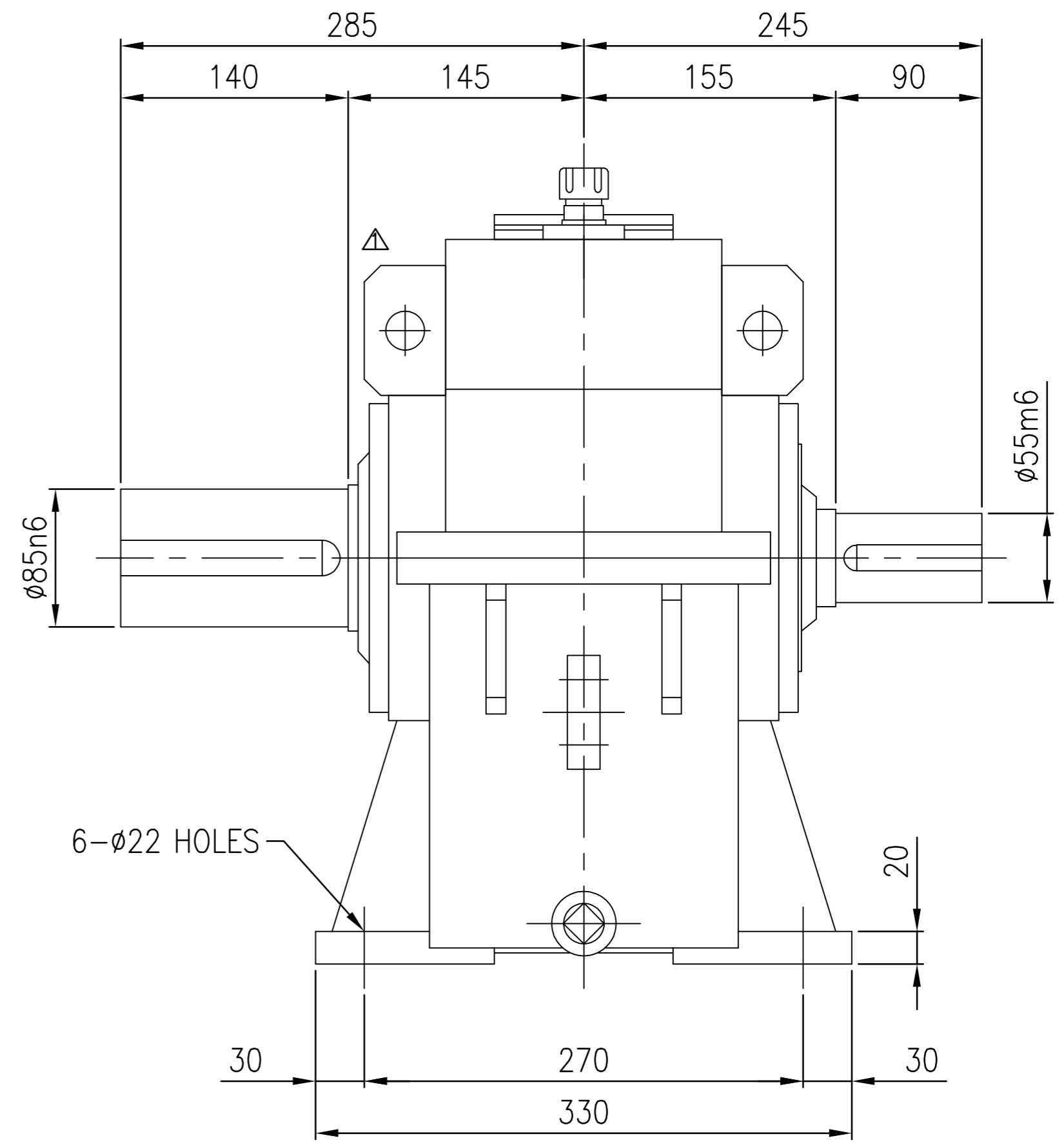
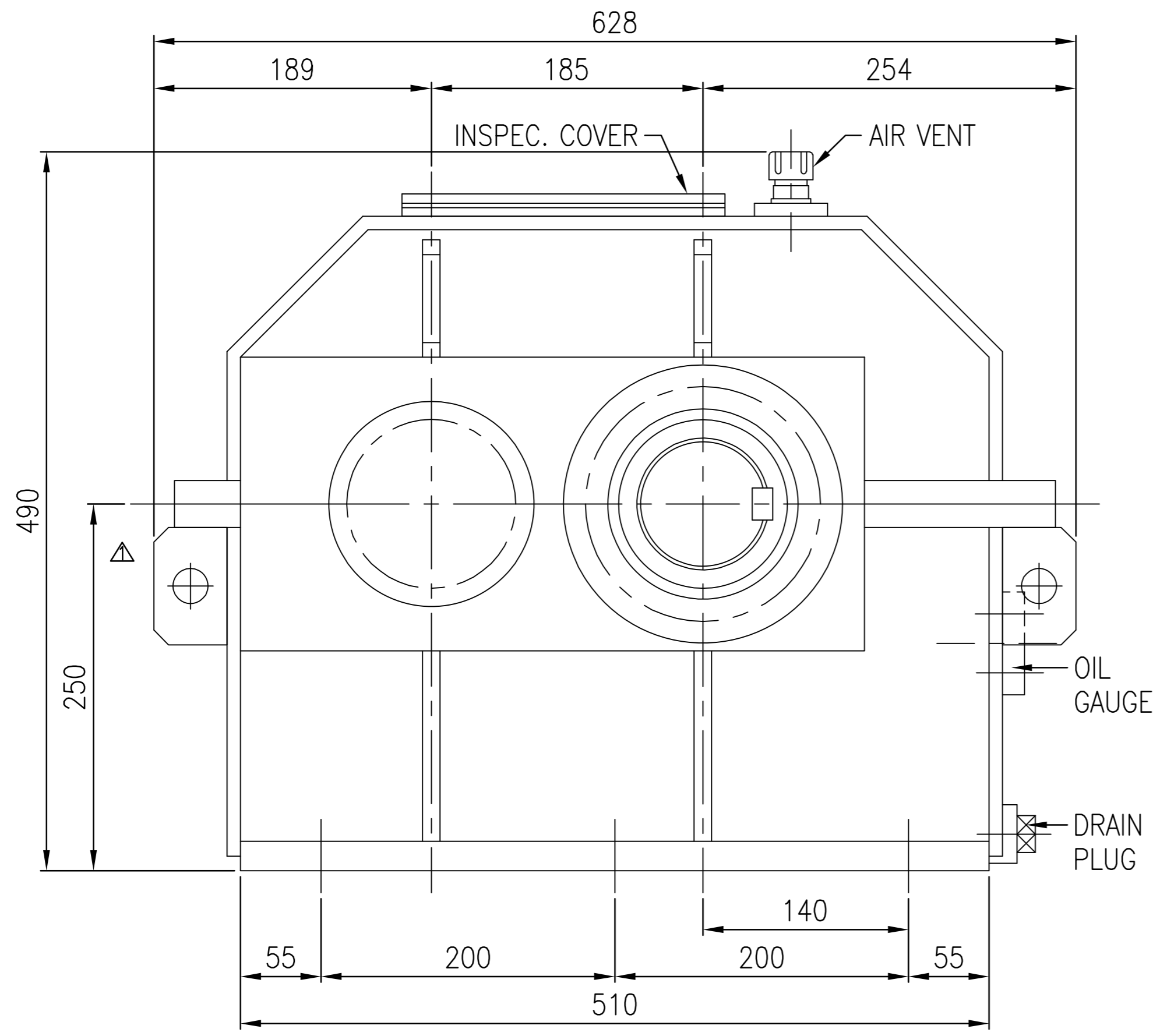


No.	NAME	MATERIAL	DWG/MATL No.	CODE	Q'TY	SIZE	WEIGHT	REMARK
-----	------	----------	--------------	------	------	------	--------	--------



DWG NAME		기어박스 외형도 DIMENSION			
2013.09.26	CHANGED LIFTING LUG	DWG No. EK1DO00067		UNIT	mm
No.	DATE	DESIGNED	CHECKED	REVIEWED	APPROVED
1	2013.10.24	박선향	서성민		2013.10.24
DESCRIPTION of REVISION		REVISION NO. 01		DATE 2013-09-26	
FORM CE-14-0100-442 2012.02.08		HYOSUNG		PROJECTION	
ITEM SHA18 (i=3.15~4.5)		REF. NO. DSKEN508		A	