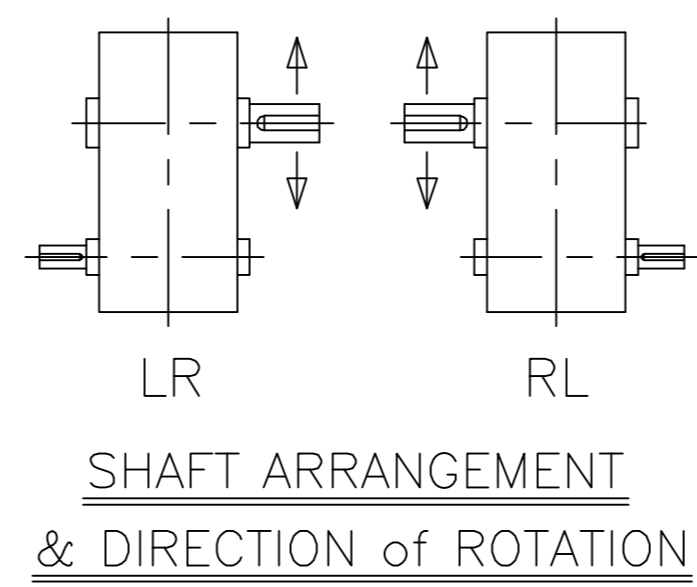
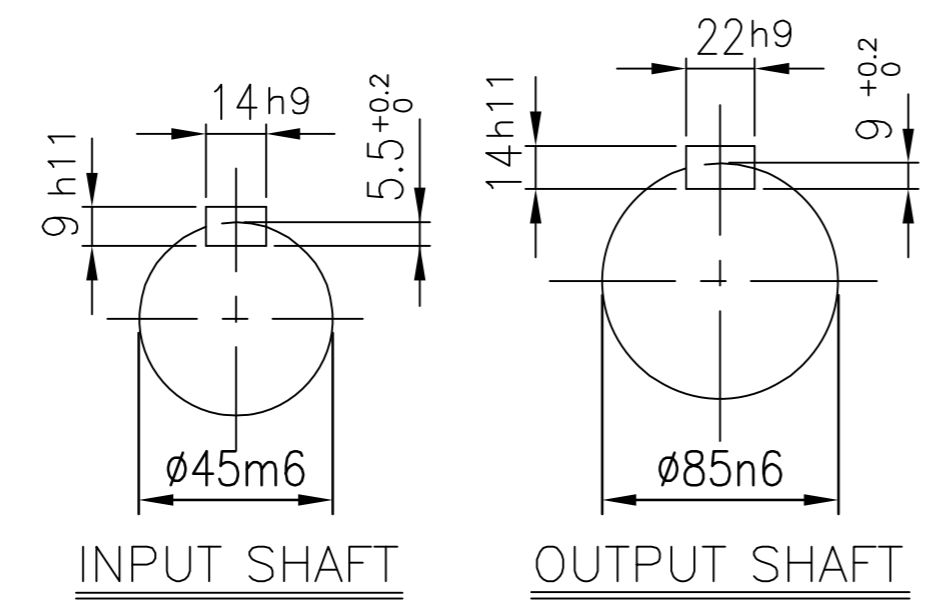
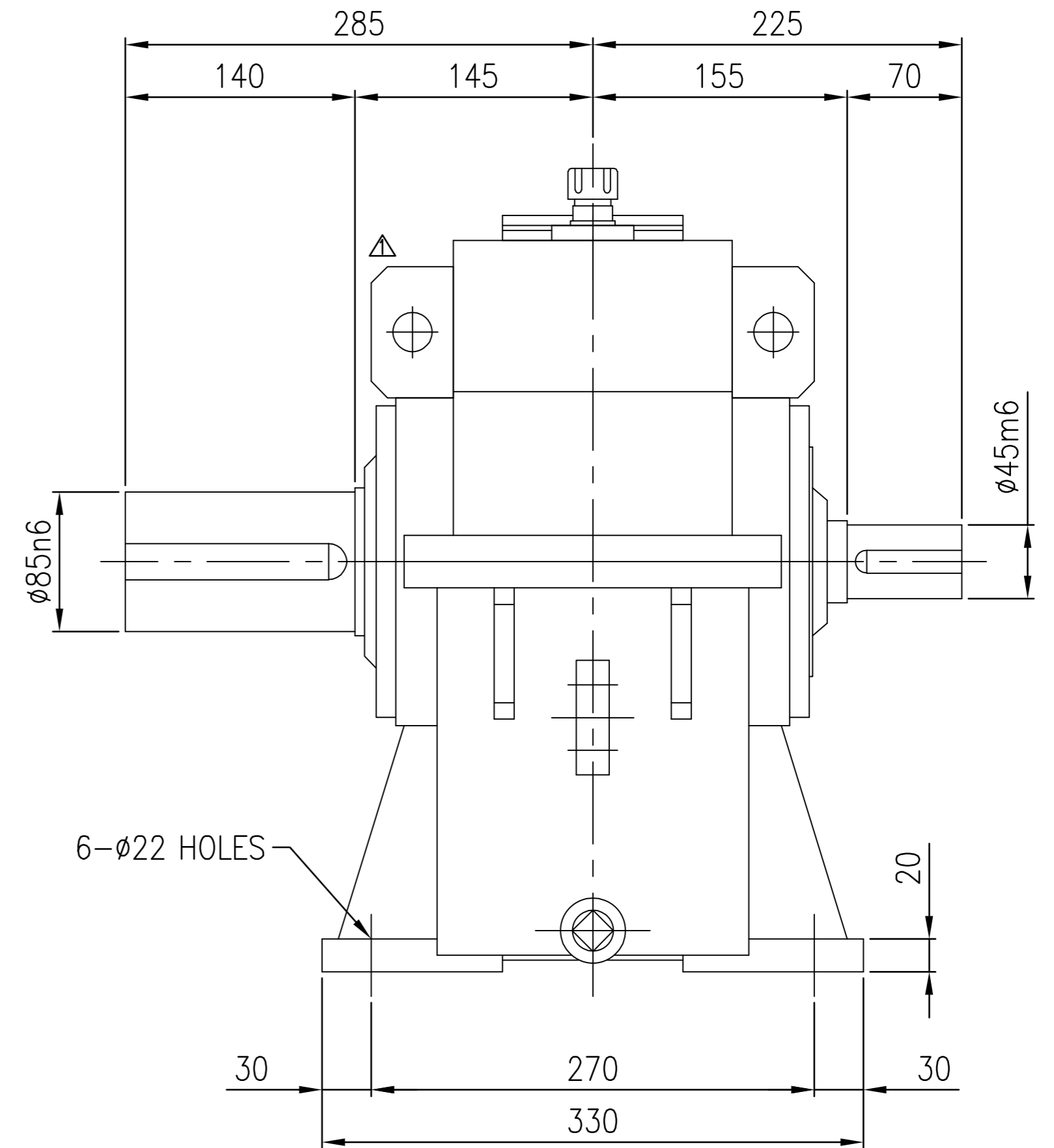
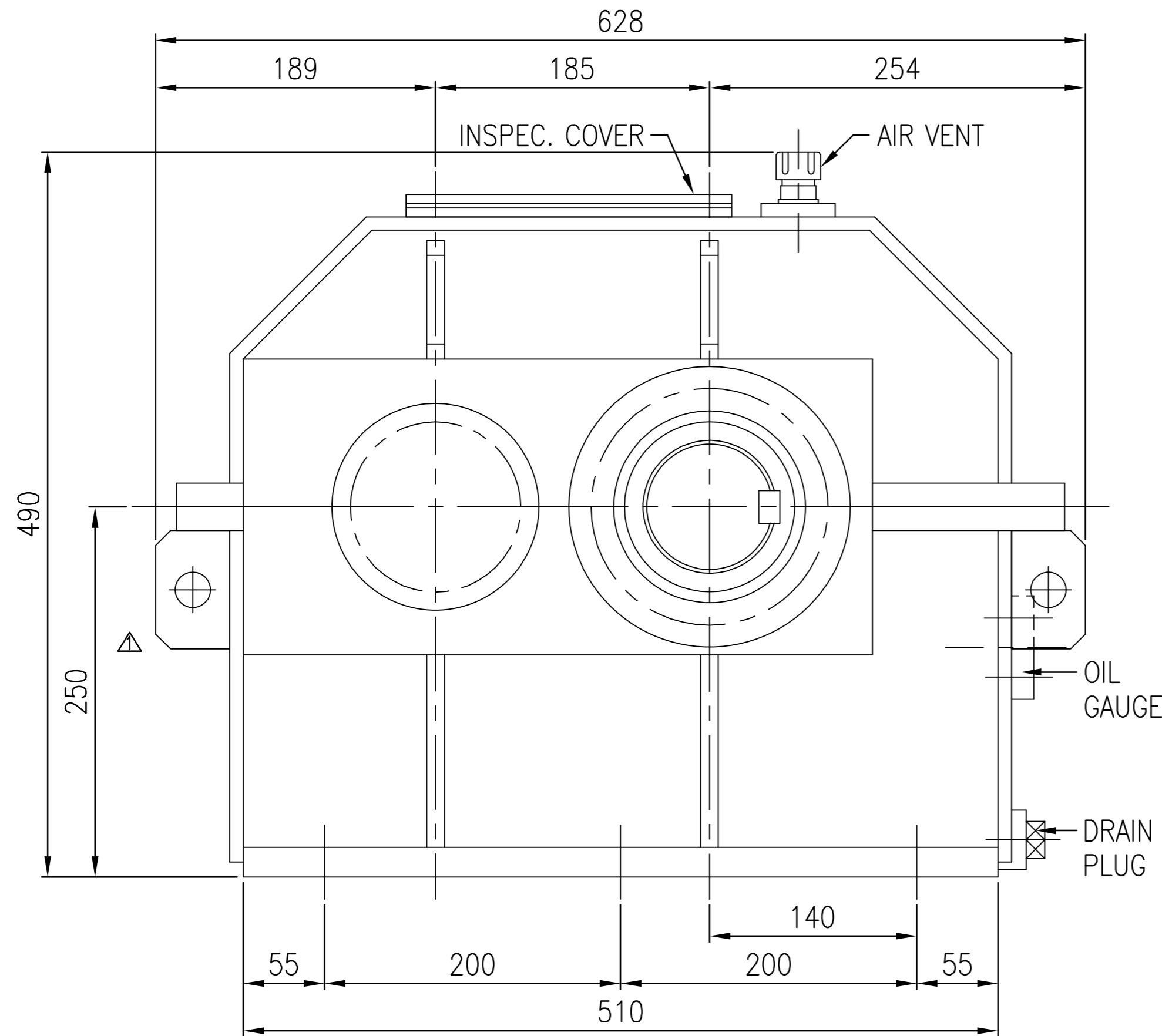


No.	NAME	MATERIAL	DWG/MATL No.	CODE	Q'TY	SIZE	WEIGHT	REMARK
-----	------	----------	--------------	------	------	------	--------	--------



DWG NAME		기어박스 외형도			
DIMENSION		DIMENSION			
2013.09.26	CHANGED LIFTING LUG	EKG1D000068		UNIT	mm
No.	DATE	DESIGNED	CHECKED	REVIEWED	APPROVED
14-0100-442	2012.02.08	박선향	서성민		2013.10.24
FORM		HYOSUNG		REVISION NO.	01
ITEM		SHA18 (i=5~6.3)		PROJECTION	☉
REF. NO.		DSKEN509			