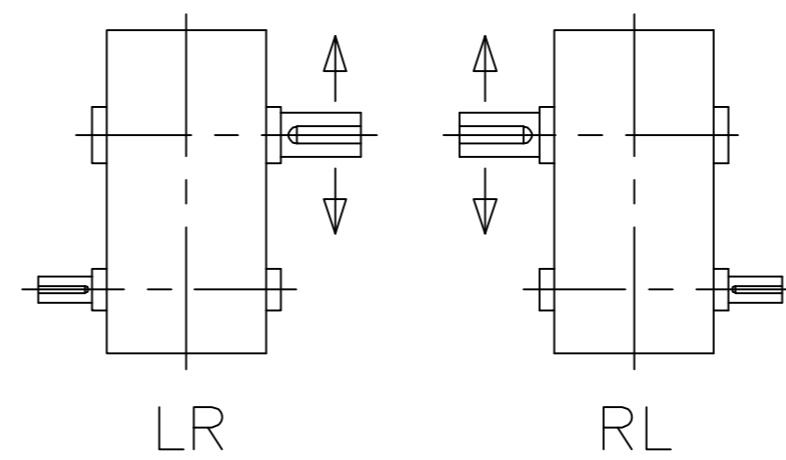
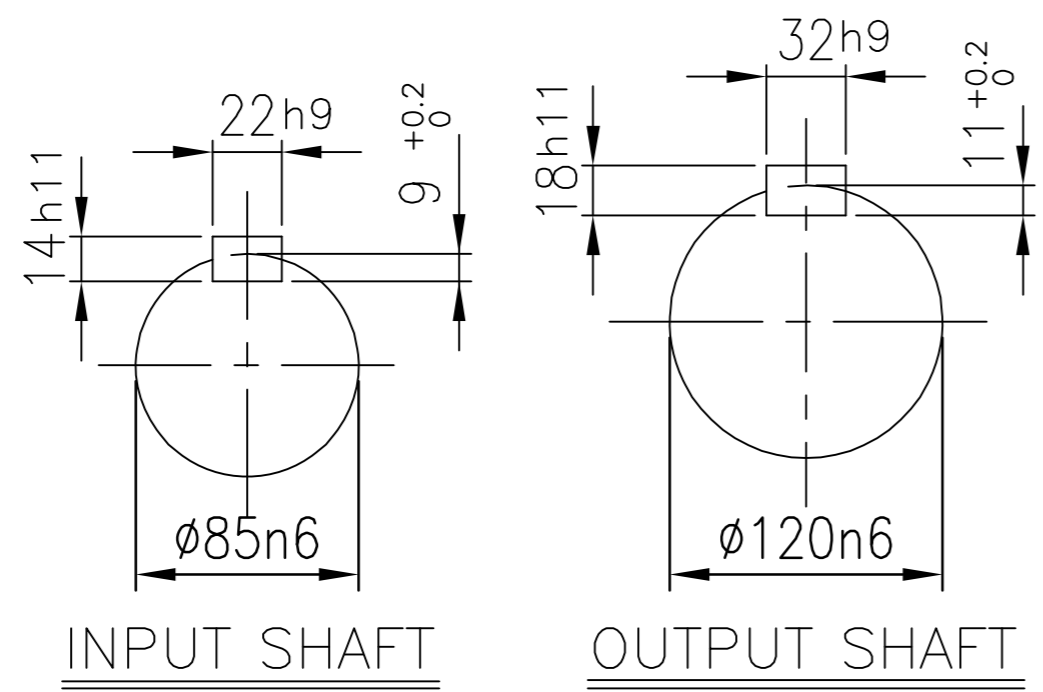
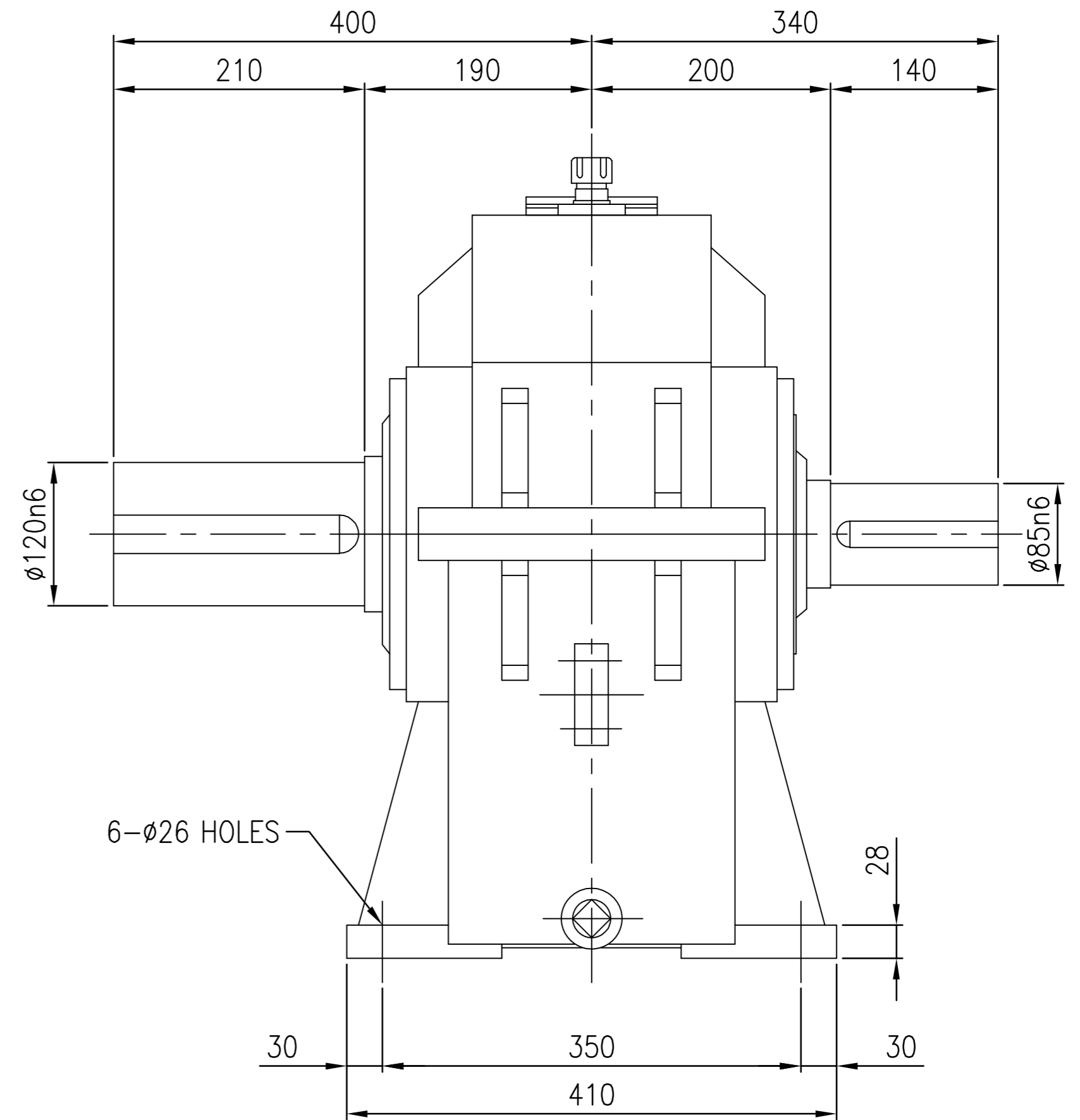
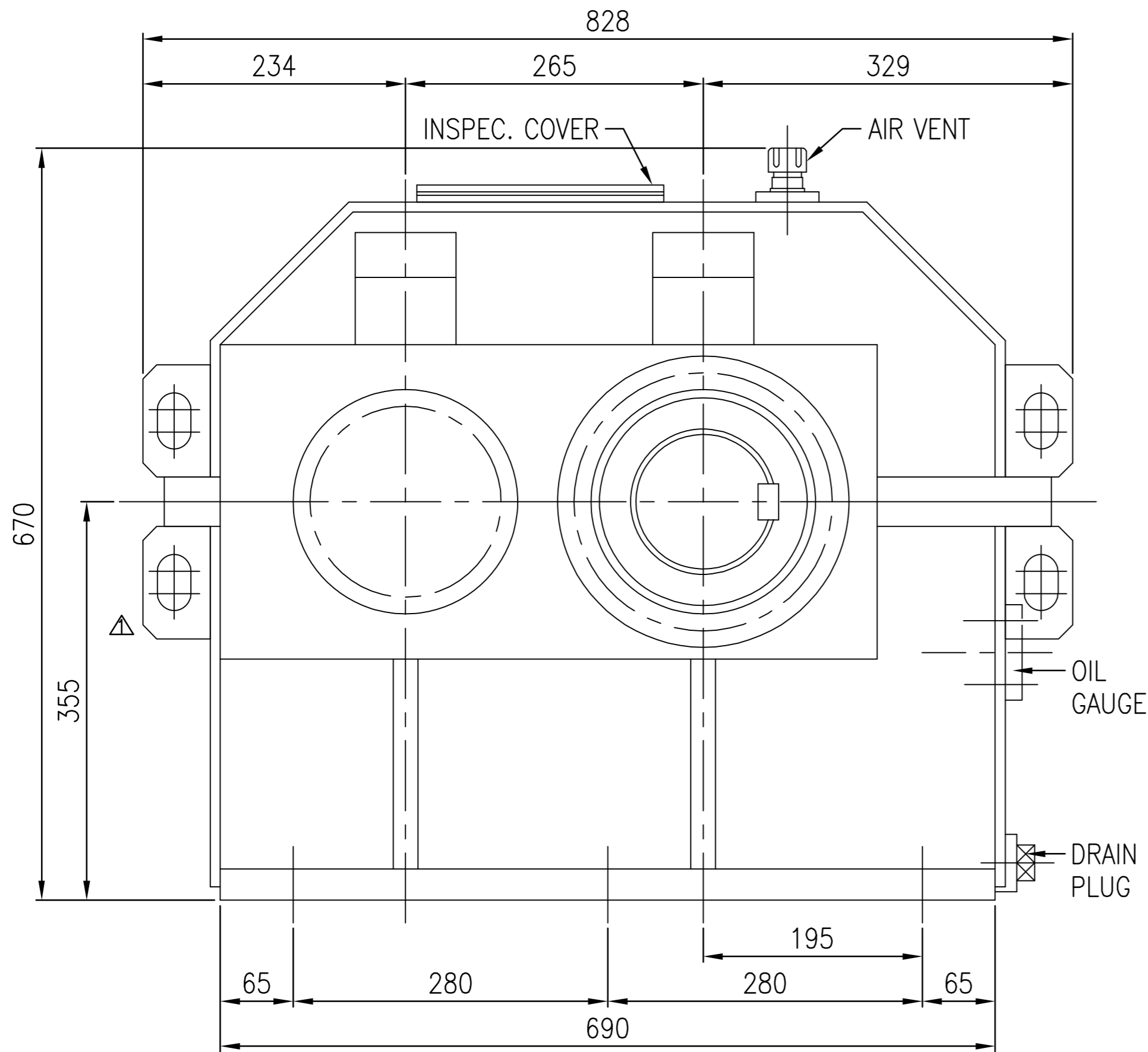


No.	NAME	MATERIAL	DWG/MATL No.	CODE	Q'TY	SIZE	WEIGHT	REMARK
-----	------	----------	--------------	------	------	------	--------	--------



DWG NAME		기어박스 외형도				DIMENSION	
2013.09.26		CHANGED LIFTING LUG				EYK1D000072	
No.		DESCRIPTION of REVISION				UNIT	mm
DATE		DESIGNED	CHECKED	REVIEWED	APPROVED	SCALE	1:4
FORM		HYOSUNG				DATE	2013-09-26
CE-14-0100-442		2013.10.24	2013.10.24		2013.10.24	REVISION NO.	01
2012.02.08		박선향 서성민 김기동				PROJECTION	☉
ITEM		SHA26 (i=2~2.8)				REF. NO.	DSKEN513