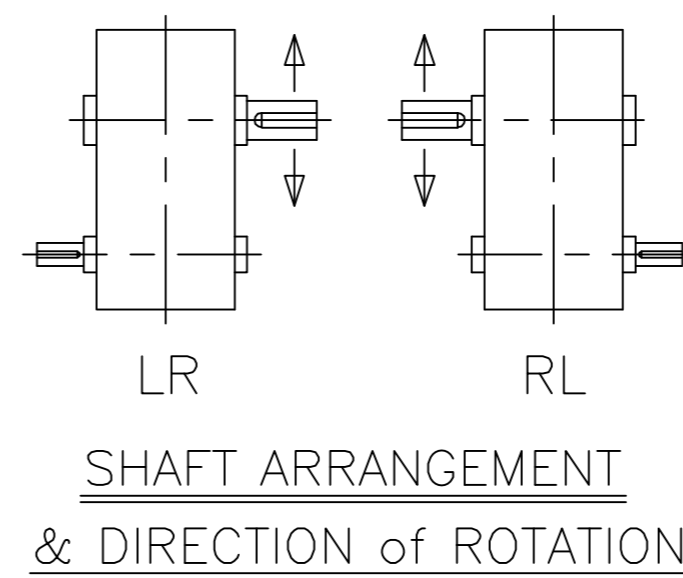
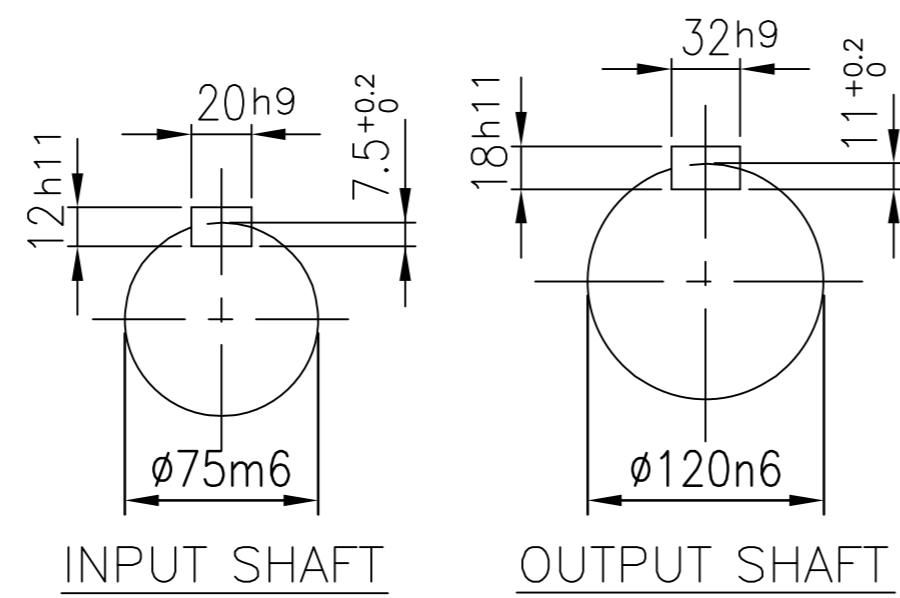
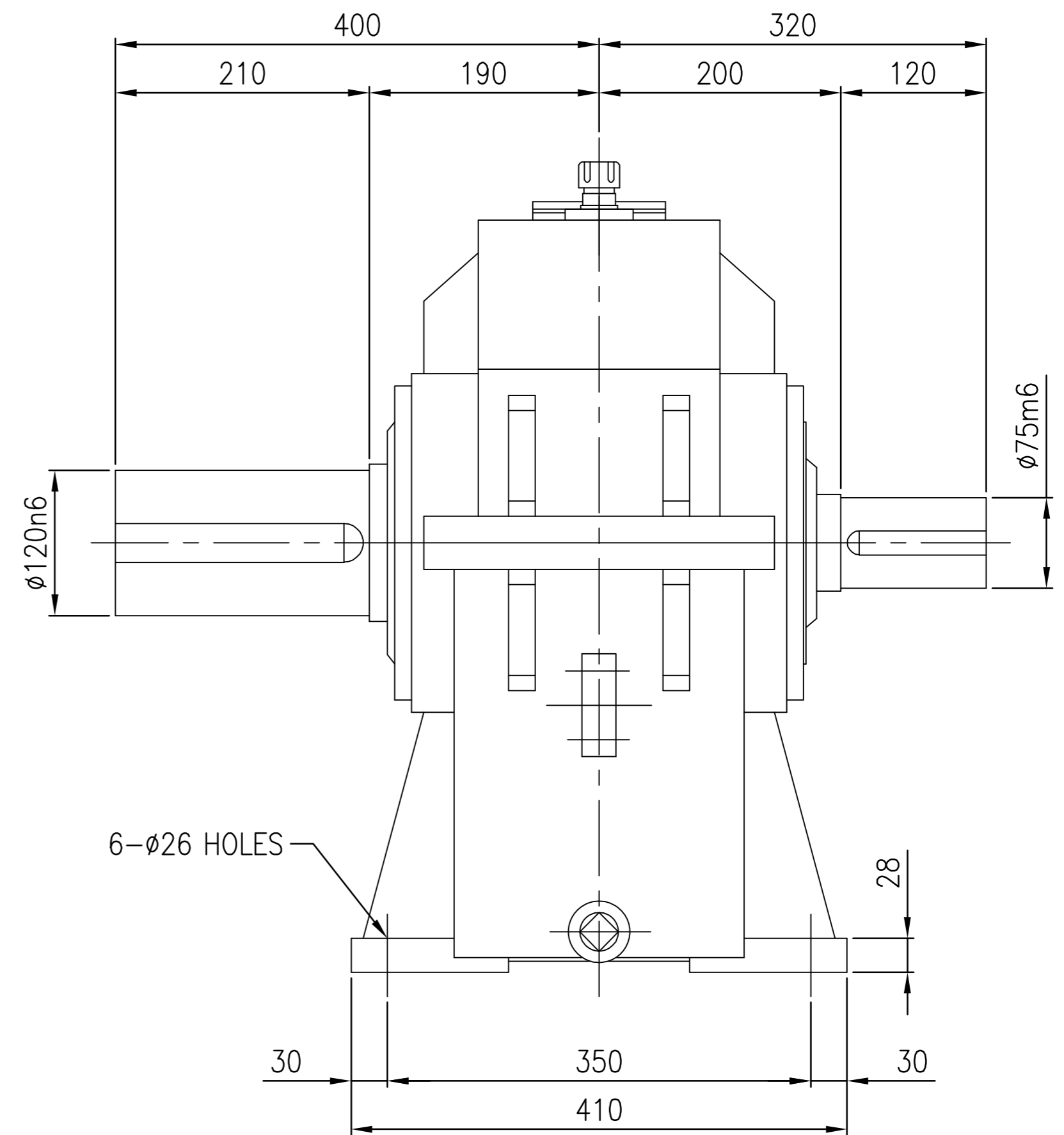
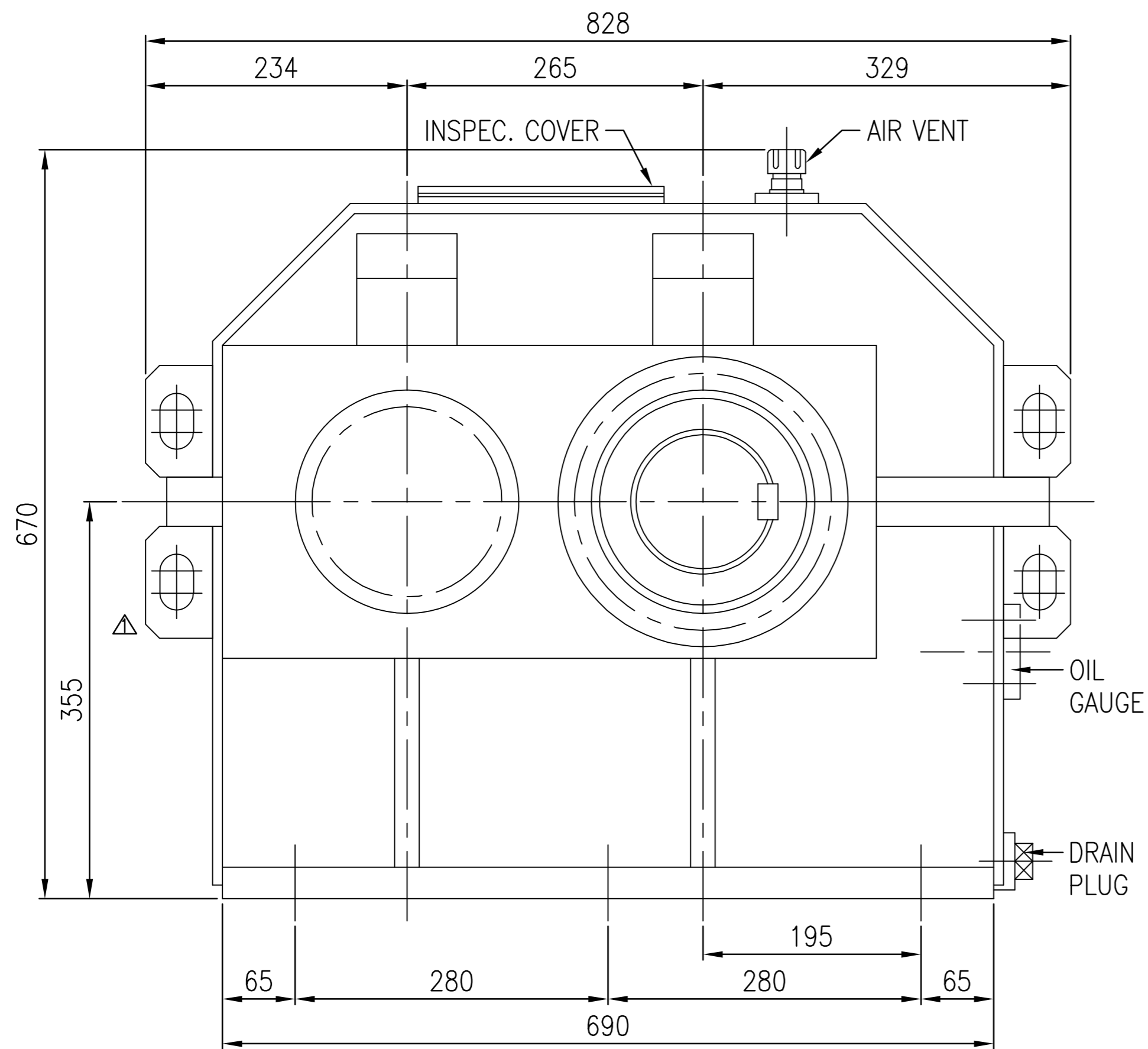


No.	NAME	MATERIAL	DWG/MATL No.	CODE	Q'TY	SIZE	WEIGHT	REMARK
-----	------	----------	--------------	------	------	------	--------	--------



DWG NAME		기어박스 외형도			
DIMENSION		DIMENSION			
DWG No.		EKG1D000073		UNIT	mm
SCALE		1:4		DATE	2013-09-26
No.	DATE	DESCRIPTION of REVISION	DESIGNED	CHECKED	REVIEWED
2013.09.26		CHANGED LIFTING LUG			
FORM		HYOSUNG		REVISION NO.	01
CE-14-0100-442		2012.02.08		DATE	2013-09-26
ITEM		SHA26 (i=3.15~4.5)		PROJECTION	☉
REF. NO.		DSKEN514			