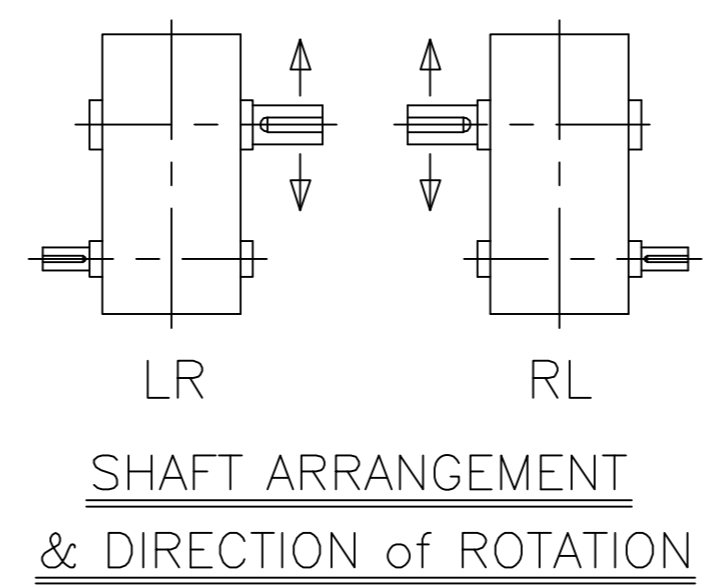
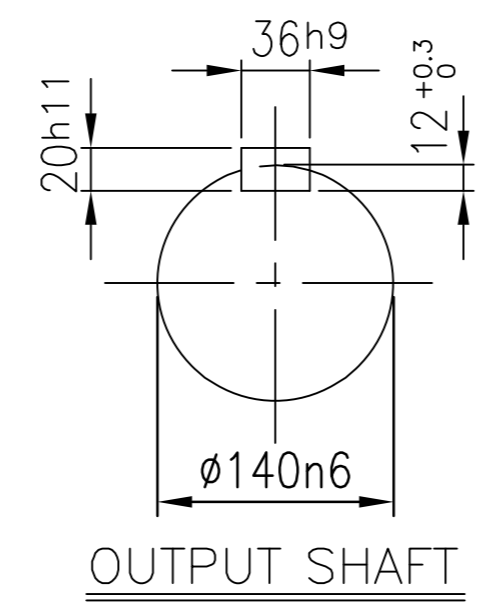
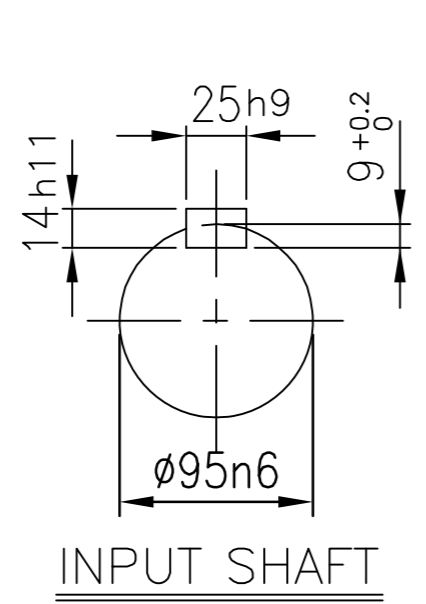
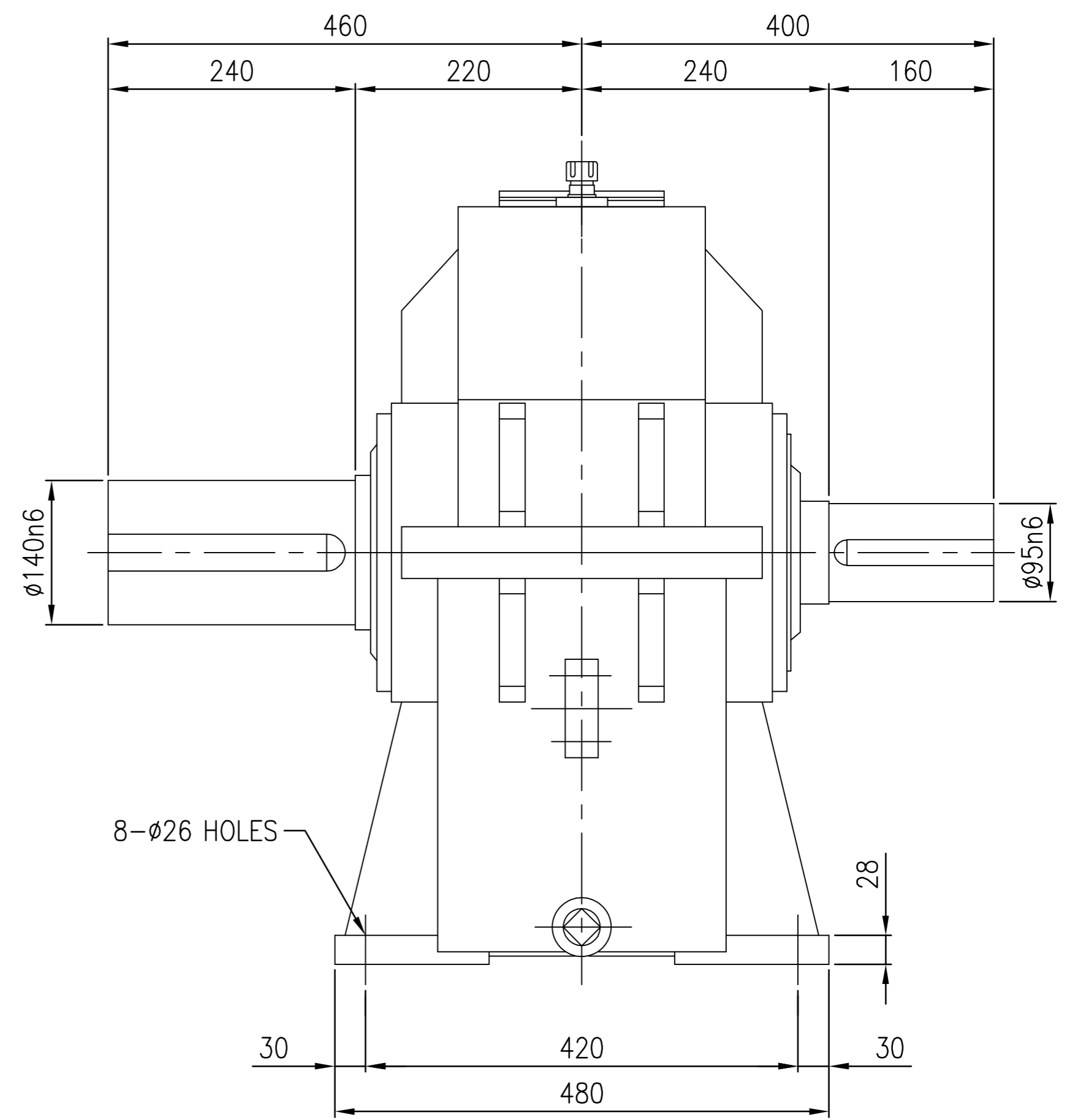
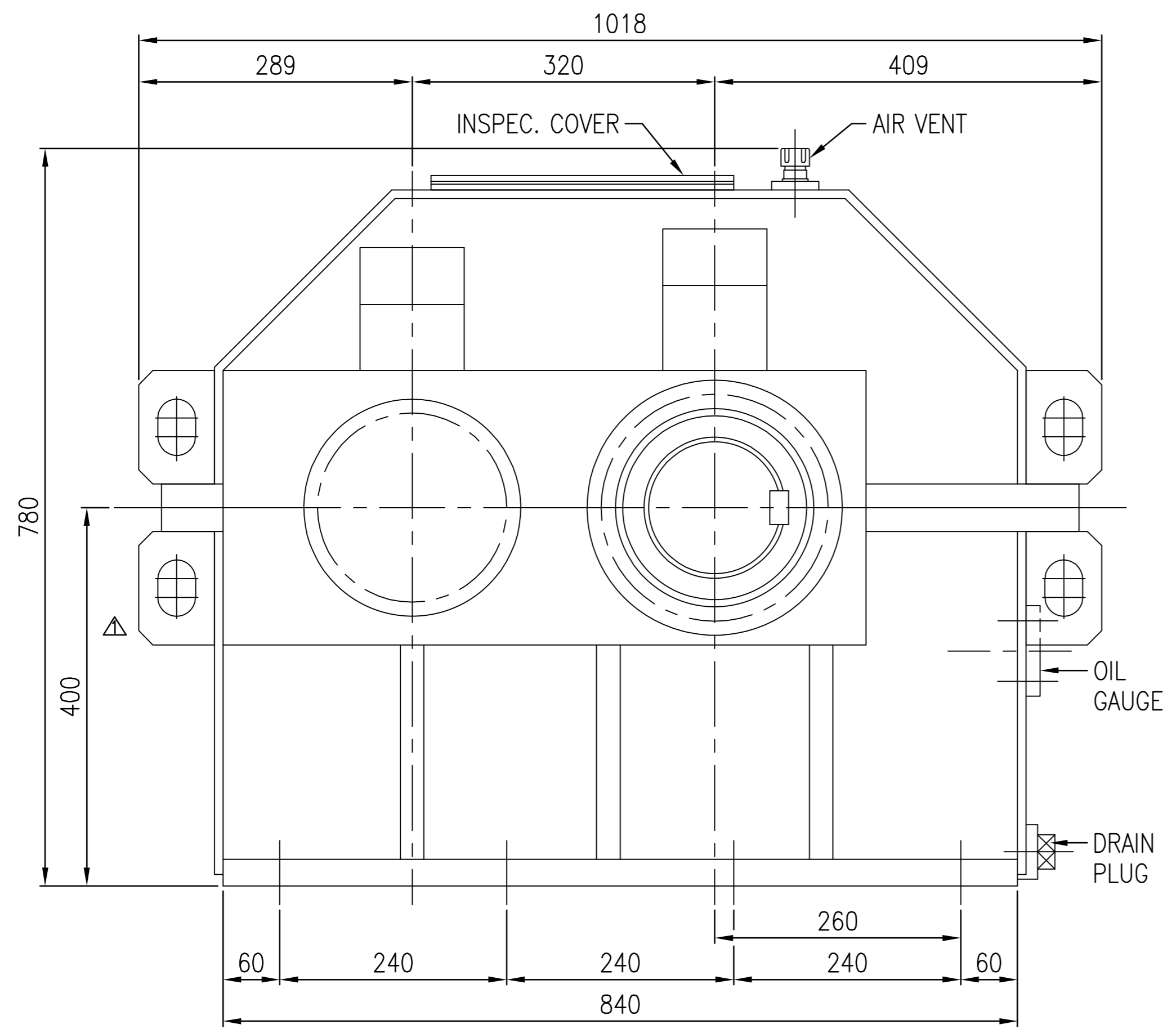


No.	NAME	MATERIAL	DWG/MATL No.	CODE	Q'TY	SIZE	WEIGHT	REMARK
-----	------	----------	--------------	------	------	------	--------	--------



DWG NAME		기어박스 외형도 DIMENSION						
No.	DATE	DESCRIPTION of REVISION	DESIGNED	CHECKED	REVIEWED	APPROVED	DATE	2013-09-26
2013.09.26		CHANGED LIFTING LUG						
FORM		DWG No.		EK1D000076		UNIT	mm	
CE-14-0100-442		2012.02.06		2013.10.24		SCALE	1:4.5	
2012.02.06		HYOSUNG		2013.10.24		REVISION NO.	01	
ITEM		SHA32 (i=3.15~4.5)		2013.10.24		PROJECTION	A	
		REF. NO.		DSKEN517				