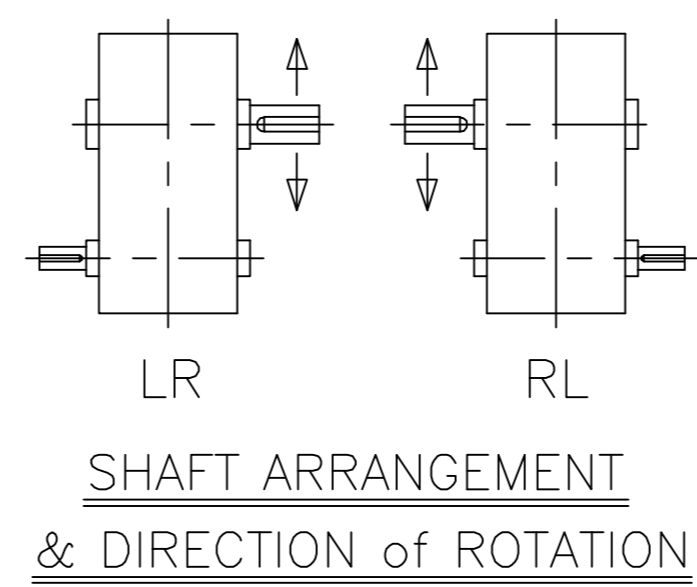
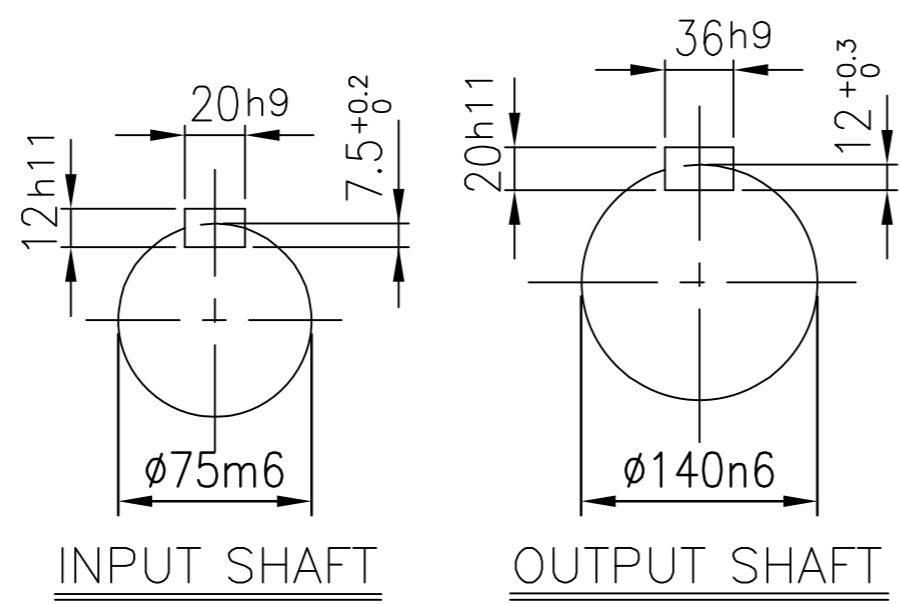
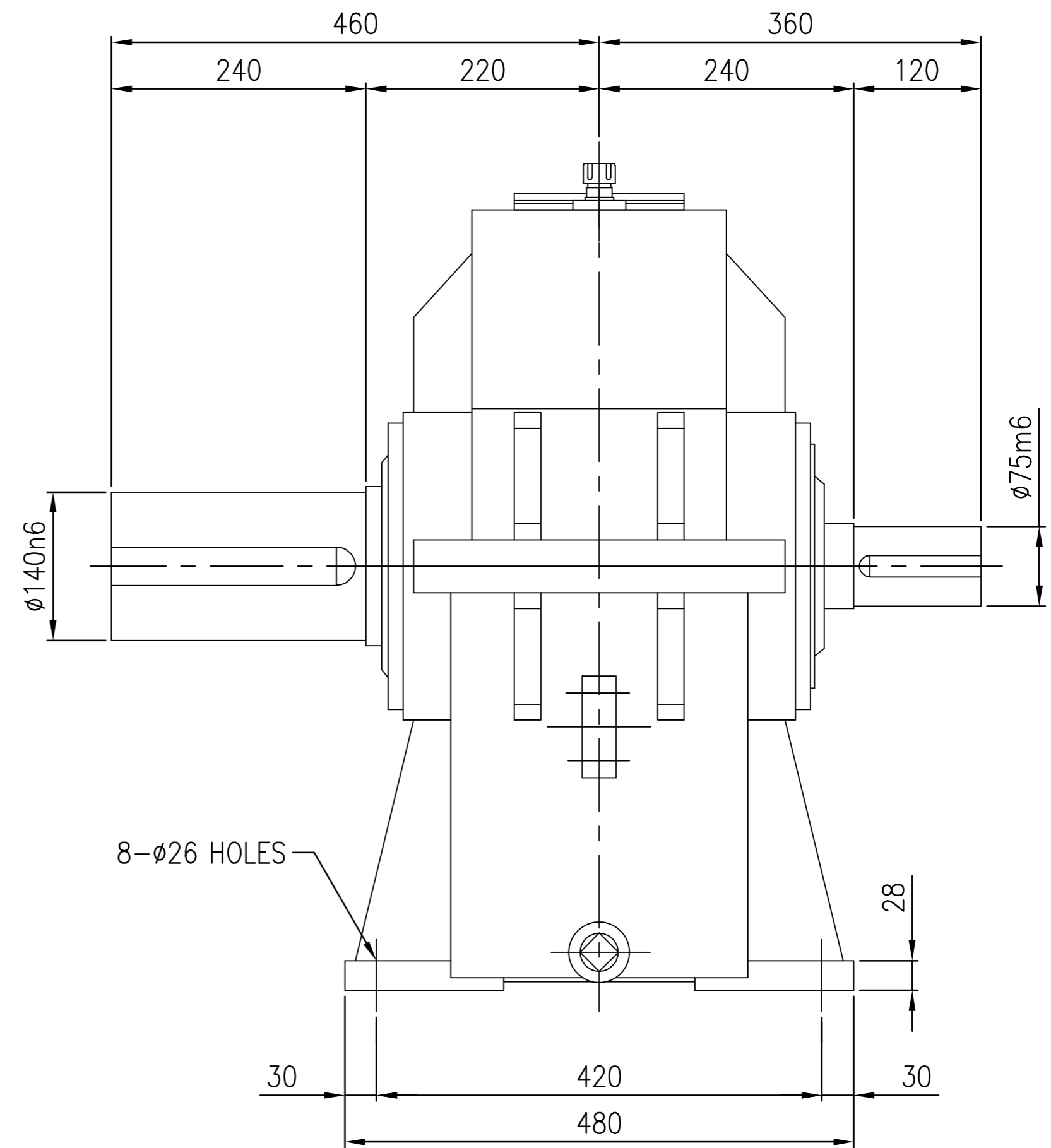
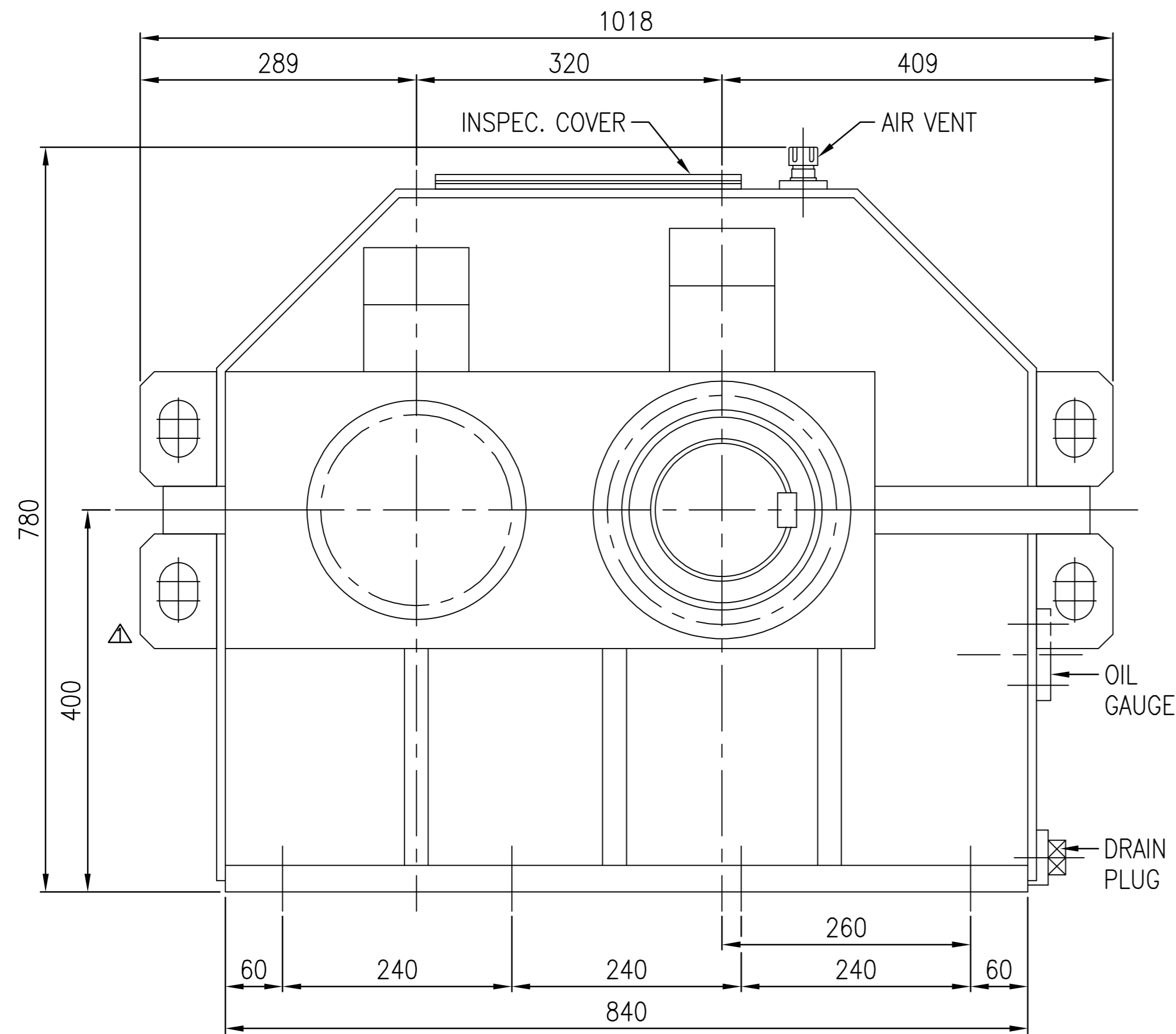


No.	NAME	MATERIAL	DWG/MATL No.	CODE	Q'TY	SIZE	WEIGHT	REMARK
-----	------	----------	--------------	------	------	------	--------	--------



DWG NAME		기어박스 외형도			
DIMENSION					
DWG No.		EK1DO00077		UNIT	mm
SCALE		1:4.5			
No.	DATE	DESCRIPTION of REVISION	DESIGNED	CHECKED	REVIEWED
2013.09.26		CHANGED LIFTING LUG			
APPROVED			DATE	2013-09-26	
REVISION NO.			01		
PROJECT			A		
FORM		HYOSUNG		REF. NO.	
CE-14-0100-442		2012.02.08		DSKEN518	
ITEM		SHA32 (i=5~6.3)			