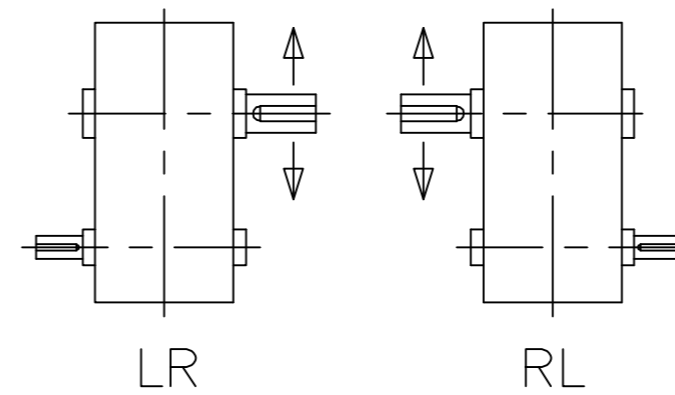
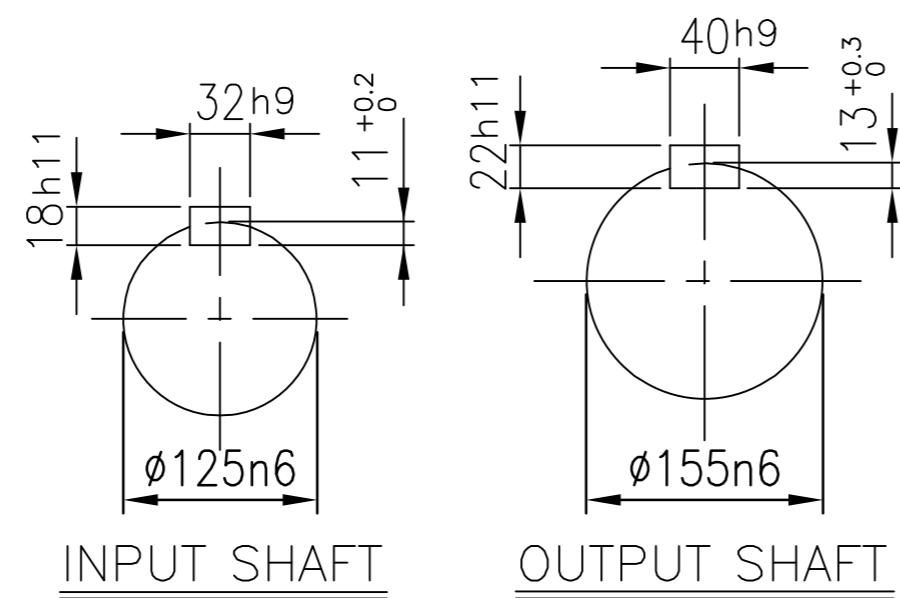
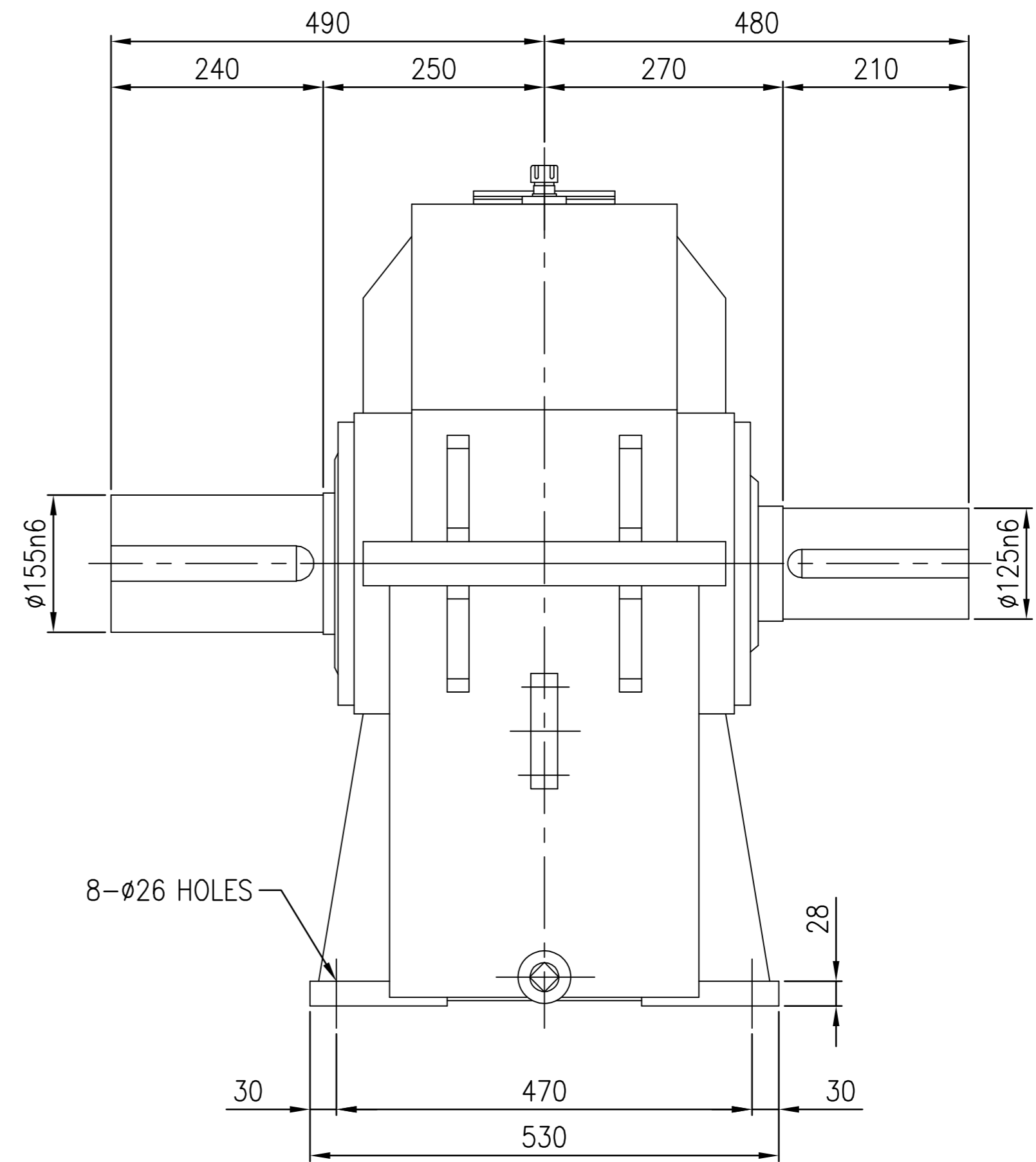
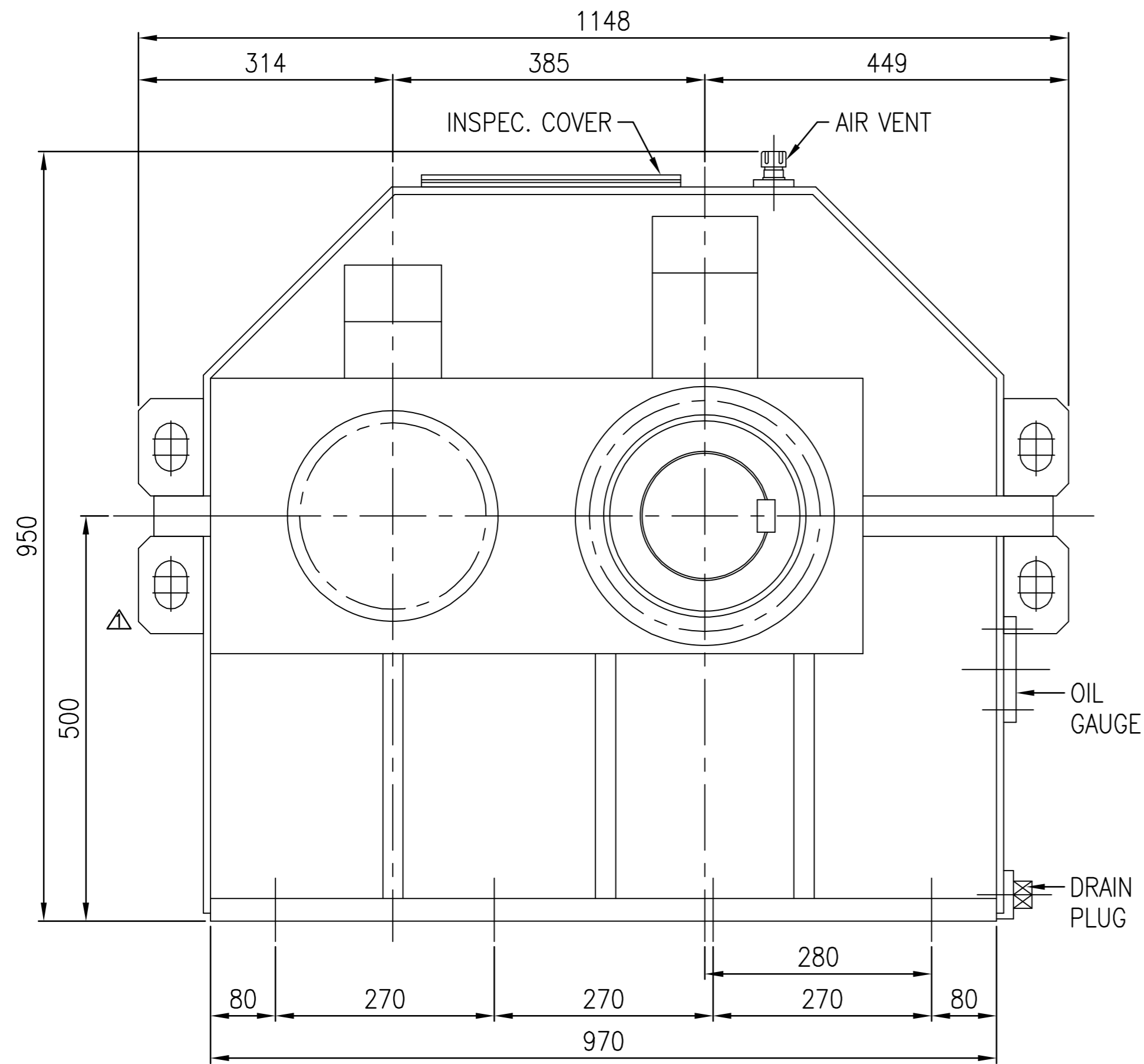


No.	NAME	MATERIAL	DWG/MATL No.	CODE	Q'TY	SIZE	WEIGHT	REMARK
-----	------	----------	--------------	------	------	------	--------	--------



DWG NAME		기어박스 외형도 DIMENSION			
2013.09.26	CHANGED LIFTING LUG	DWG No. EK1DO00078		UNIT	mm
No.	DATE	DESIGNED	CHECKED	REVIEWED	APPROVED
1	2013.10.24	박선희	서성민		2013.10.24
ITEM		REF. NO.	DATE		
SHA38 (i=2~2.8)		DSKEN519	2013-09-26		
FORM		REVISION NO.		PROJECTION	
CE-14-0100-442		01		A	
2012.02.06					