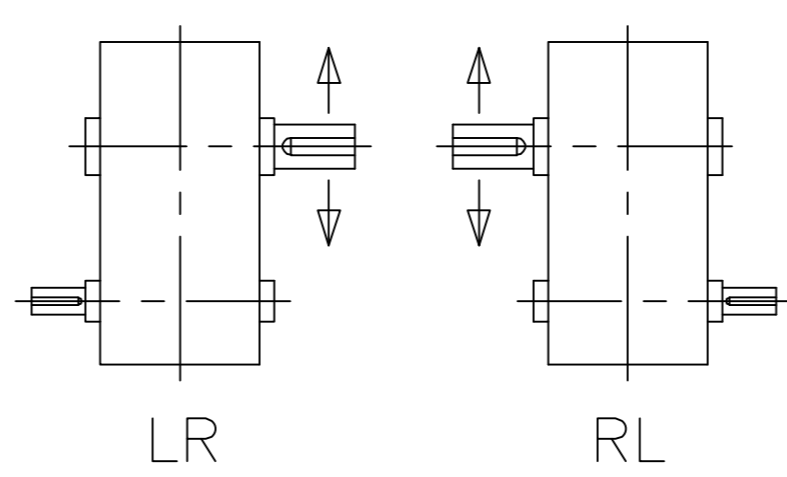
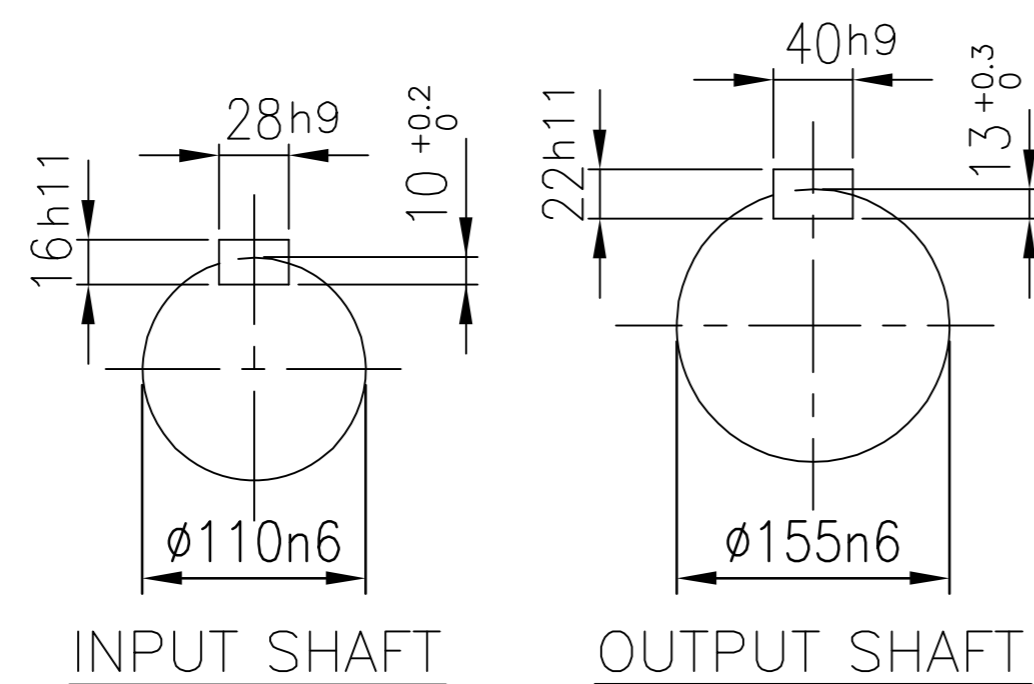
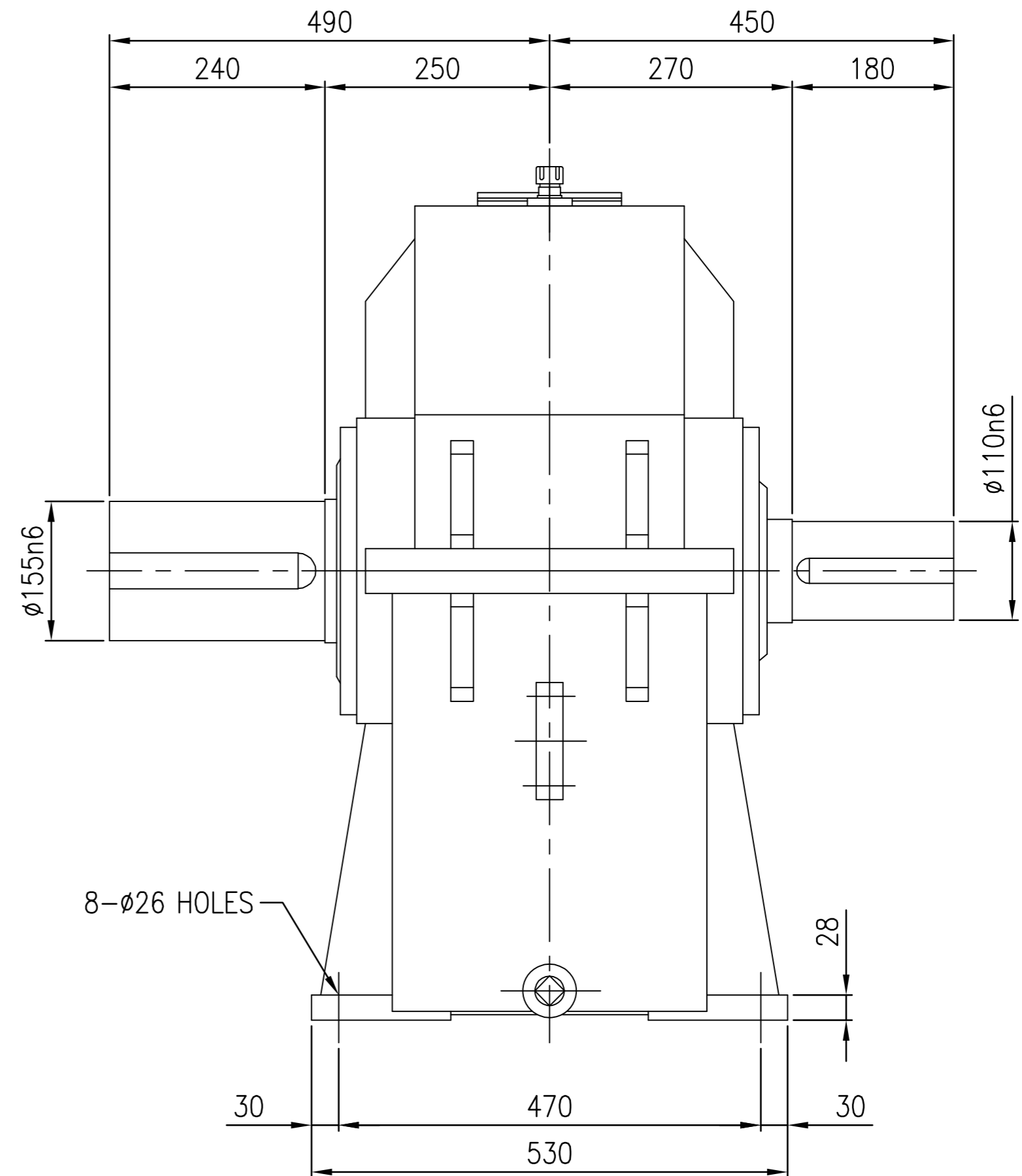
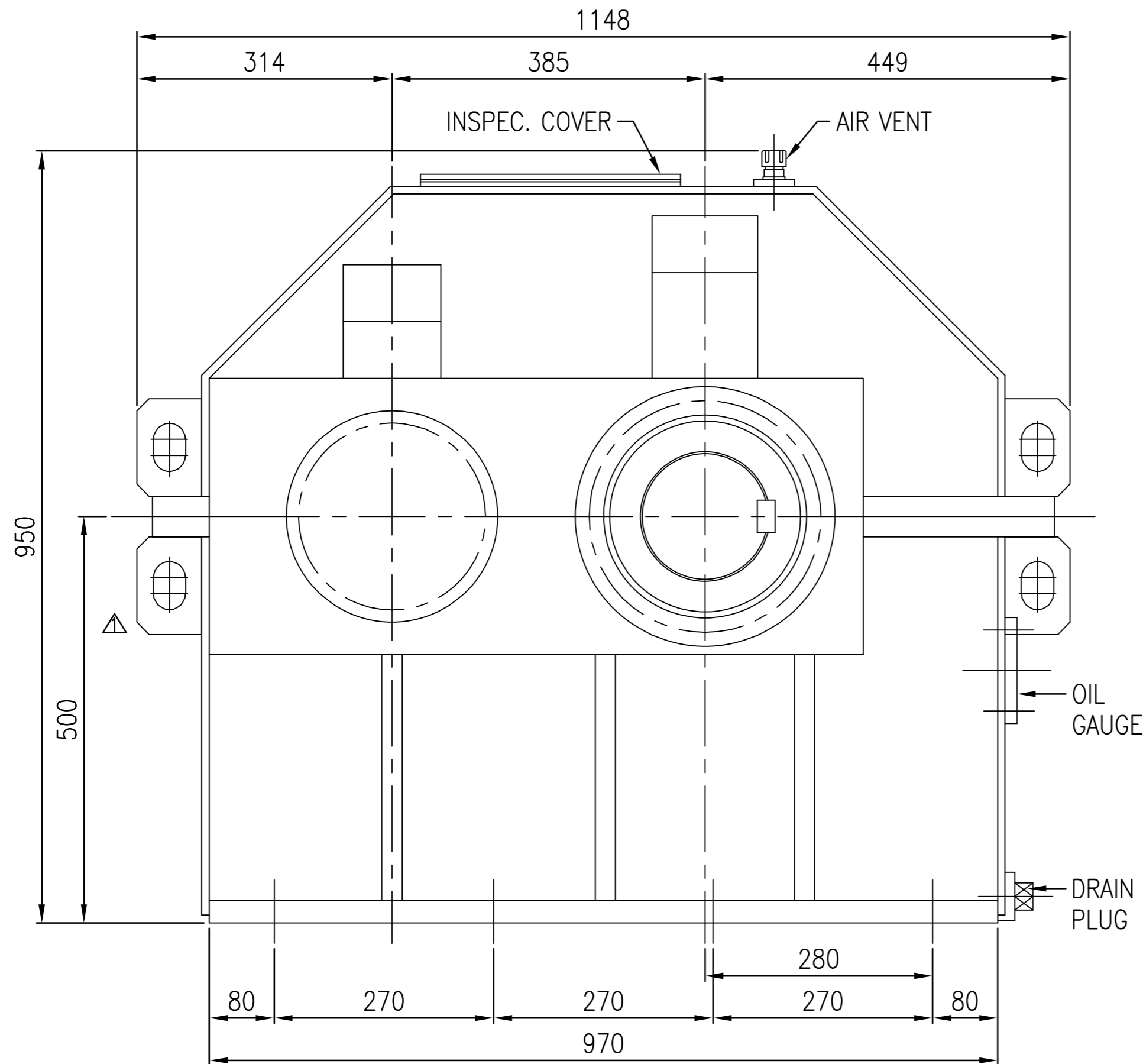


| No. | NAME | MATERIAL | DWG/MATL No. | CODE | Q'TY | SIZE | WEIGHT | REMARK |
|-----|------|----------|--------------|------|------|------|--------|--------|
|-----|------|----------|--------------|------|------|------|--------|--------|



| DWG NAME                             |      | 기어박스 외형도<br>DIMENSION   |                    |            |          |            |              |            |
|--------------------------------------|------|-------------------------|--------------------|------------|----------|------------|--------------|------------|
| No.                                  | DATE | DESCRIPTION of REVISION | DESIGNED           | CHECKED    | REVIEWED | APPROVED   | DATE         | 2013-09-26 |
| 2013.09.26                           |      | CHANGED LIFTING LUG     | EK1D000079         |            | UNIT     | mm         |              |            |
|                                      |      |                         |                    |            | SCALE    | 1:5.5      |              |            |
|                                      |      |                         | 2013.10.24         | 2013.10.24 |          | 2013.10.24 | REVISION NO. | 01         |
|                                      |      |                         | 박선향                | 서성민        |          | 김기동        | PROJECTION   | ☉          |
| FORM<br>CE-14-0100-442<br>2012.02.08 |      | ITEM                    | SHA38 (i=3.15~4.5) |            | REF. NO. | DSKEN520   |              | (A)        |