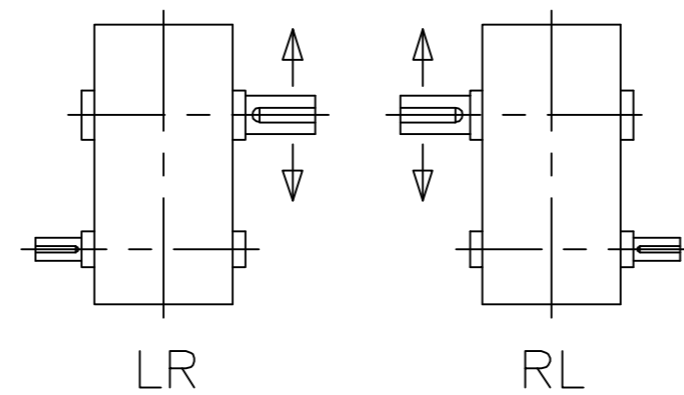
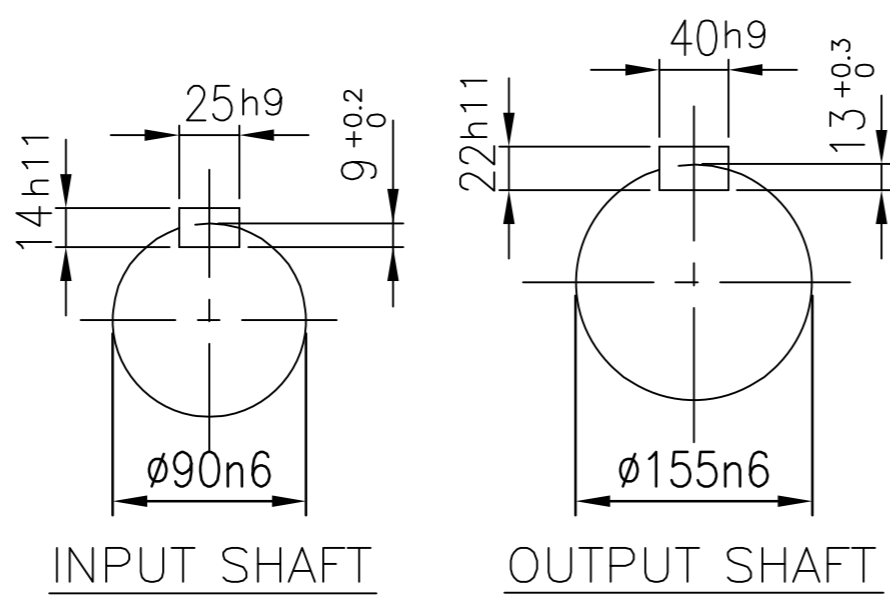
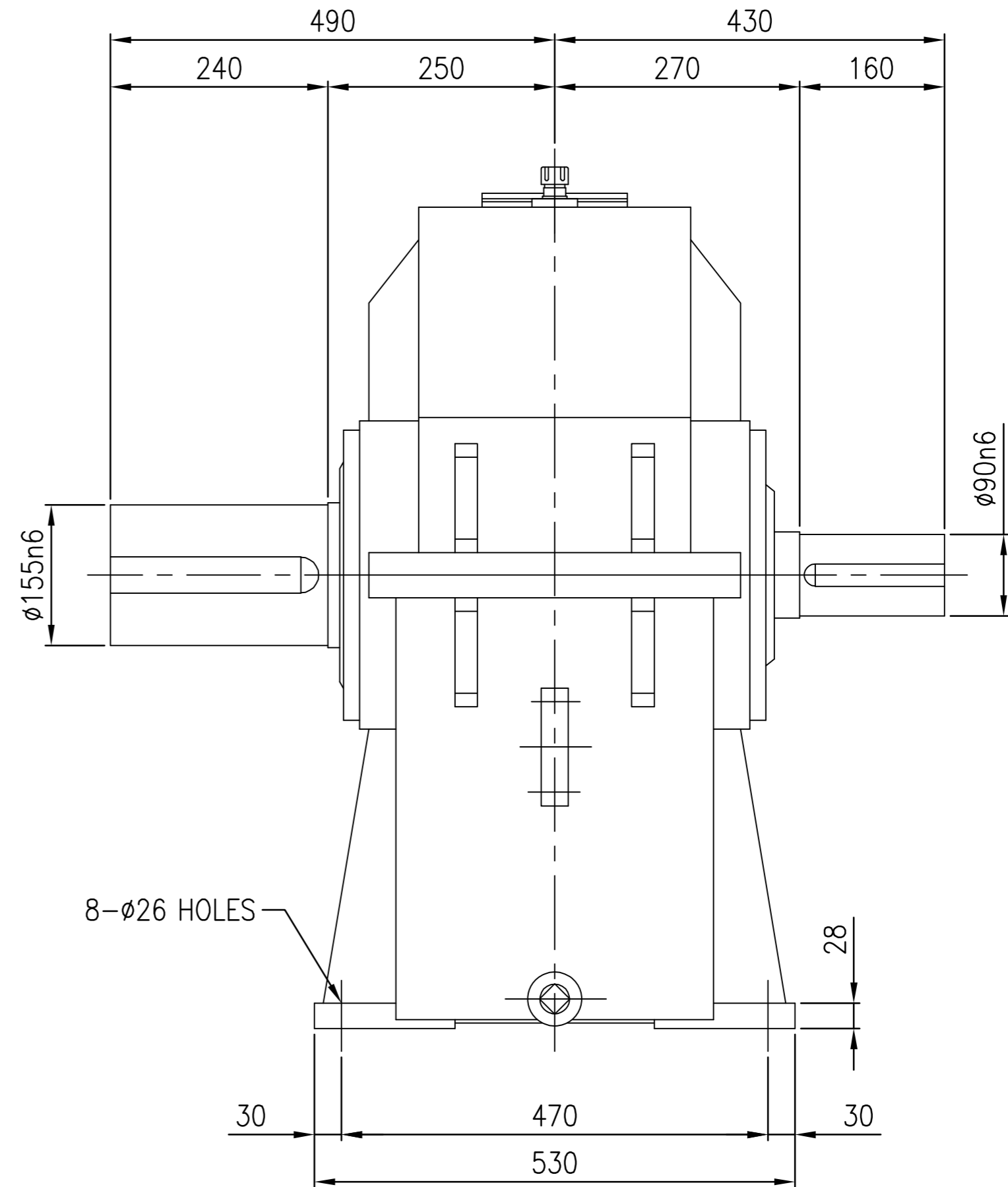
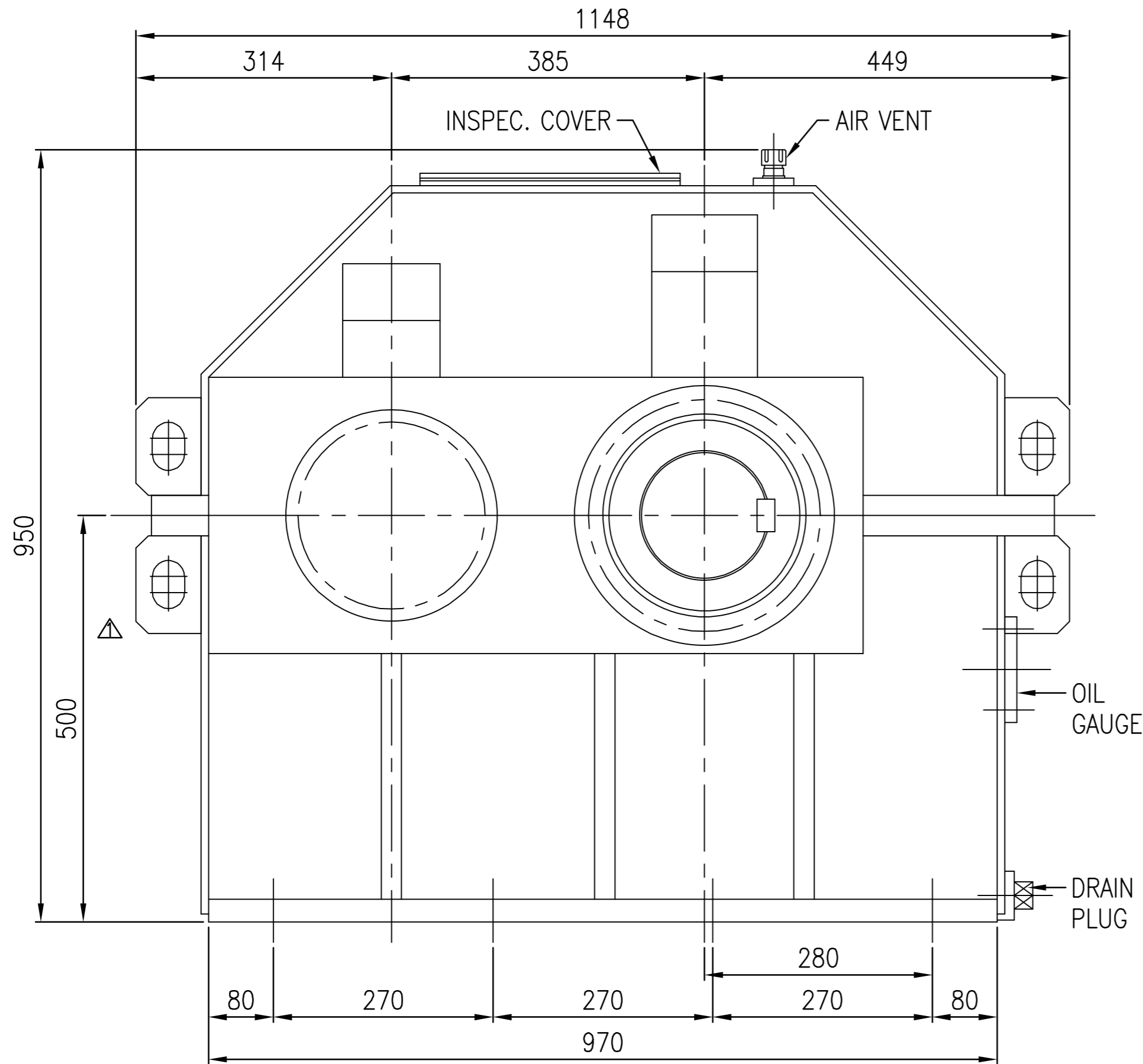


No.	NAME	MATERIAL	DWG/MATL No.	CODE	Q'TY	SIZE	WEIGHT	REMARK
-----	------	----------	--------------	------	------	------	--------	--------



SHAFT ARRANGEMENT & DIRECTION of ROTATION

DWG NAME		기어박스 외형도 DIMENSION			
2013.09.26	CHANGED LIFTING LUG	DWG No. <b>EK1DO00080</b>		UNIT	mm
				SCALE	1:5.5
No.	DATE	DESIGNED	CHECKED	REVIEWED	APPROVED
		2013.10.24	2013.10.24		2013.10.24
		박선향 서성민		김기동	
FORM CE-14-0100-442 2012.02.08		HYOSUNG		REVISION NO.	01
ITEM		SHA38 (i=5~6.3)		PROJECTION	☉
		REF. NO.	DSKEN521		