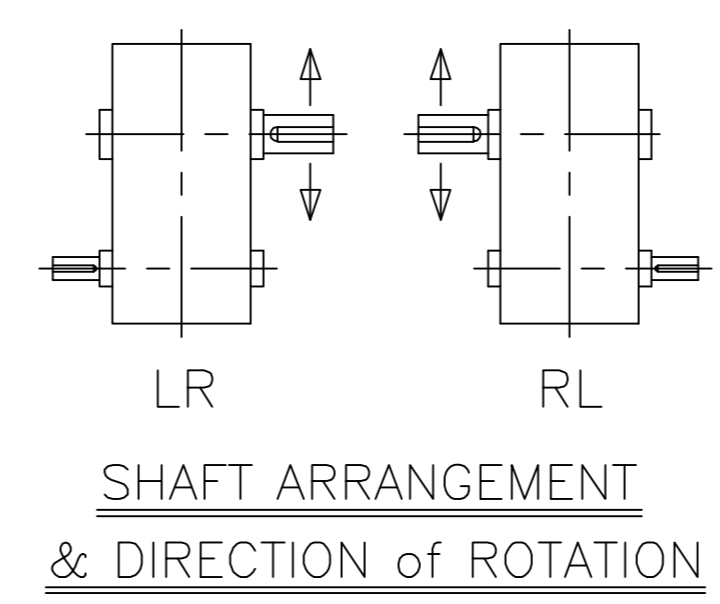
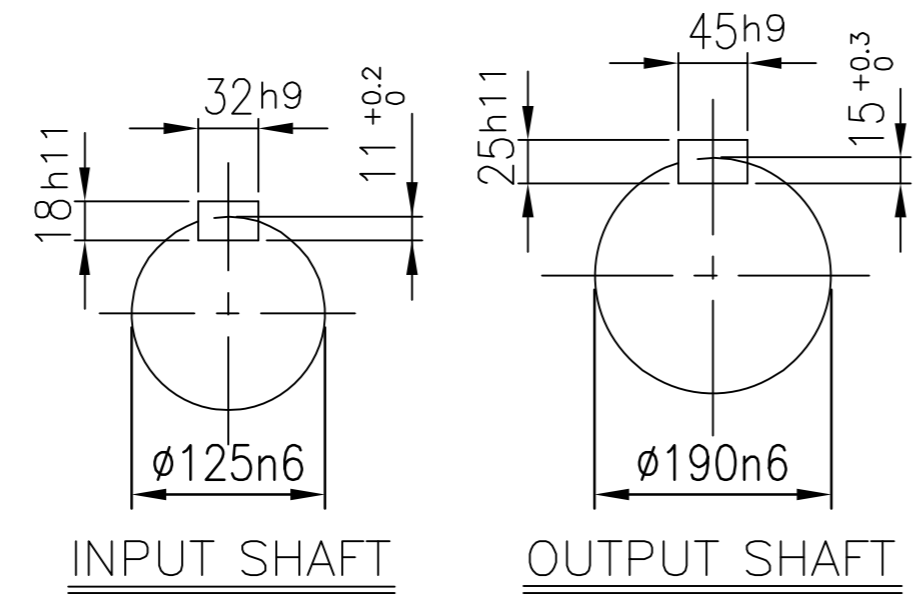
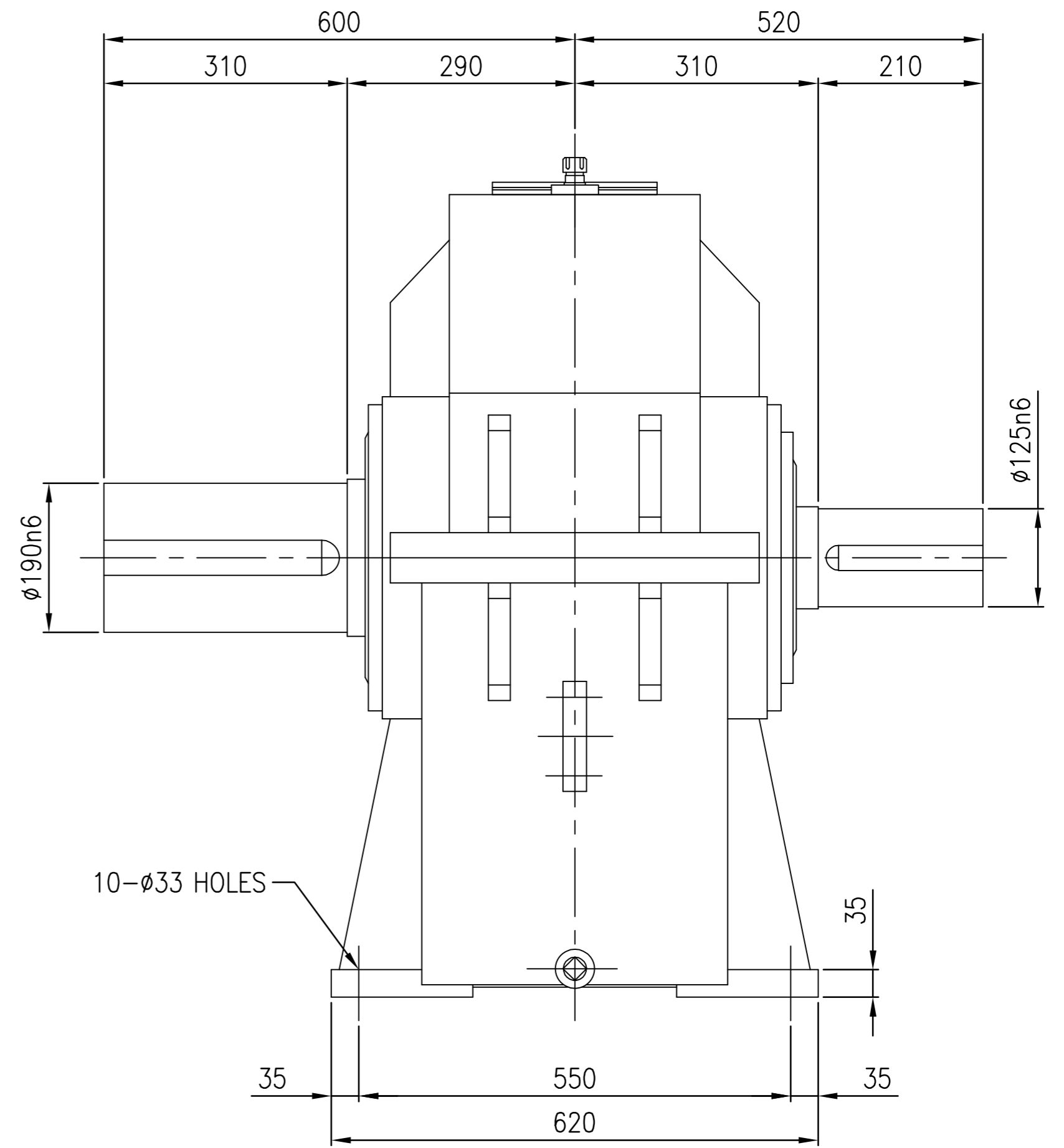
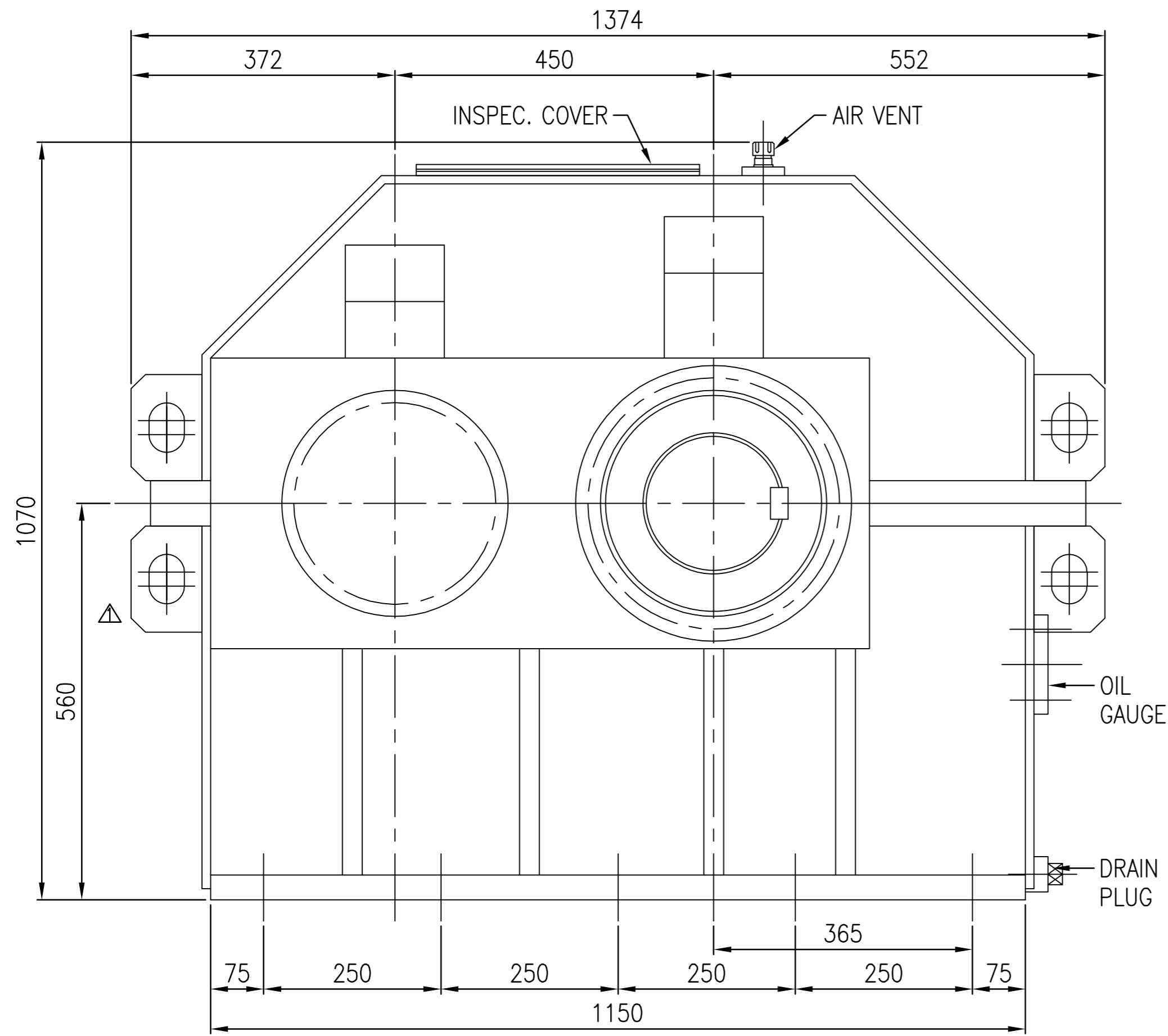


No.	NAME	MATERIAL	DWG/MATL No.	CODE	Q'TY	SIZE	WEIGHT	REMARK
-----	------	----------	--------------	------	------	------	--------	--------



DWG NAME		기어박스 외형도			
DIMENSION		DIMENSION			
DWG No.		EK1DO00082		UNIT	mm
SCALE		1:6			
No.	DATE	DESCRIPTION of REVISION	DESIGNED	CHECKED	REVIEWED
2013.09.26.		CHANGED LIFTING LUG			
ITEM			APPROVED	DATE	2013-09-26
SHA45 (i=3.15~4.5)			2013.10.24	2013.10.24	2013.10.24
REF. NO.			DSKEN523	REVISION NO.	01
				PROJECTION	☉