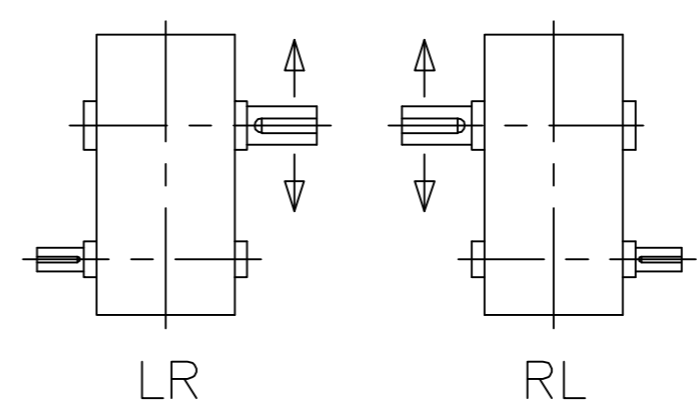
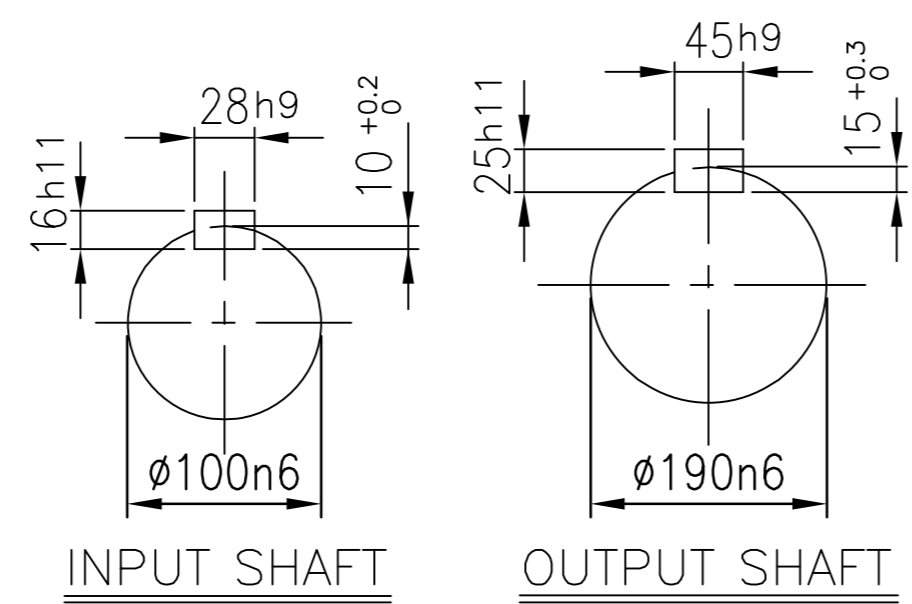
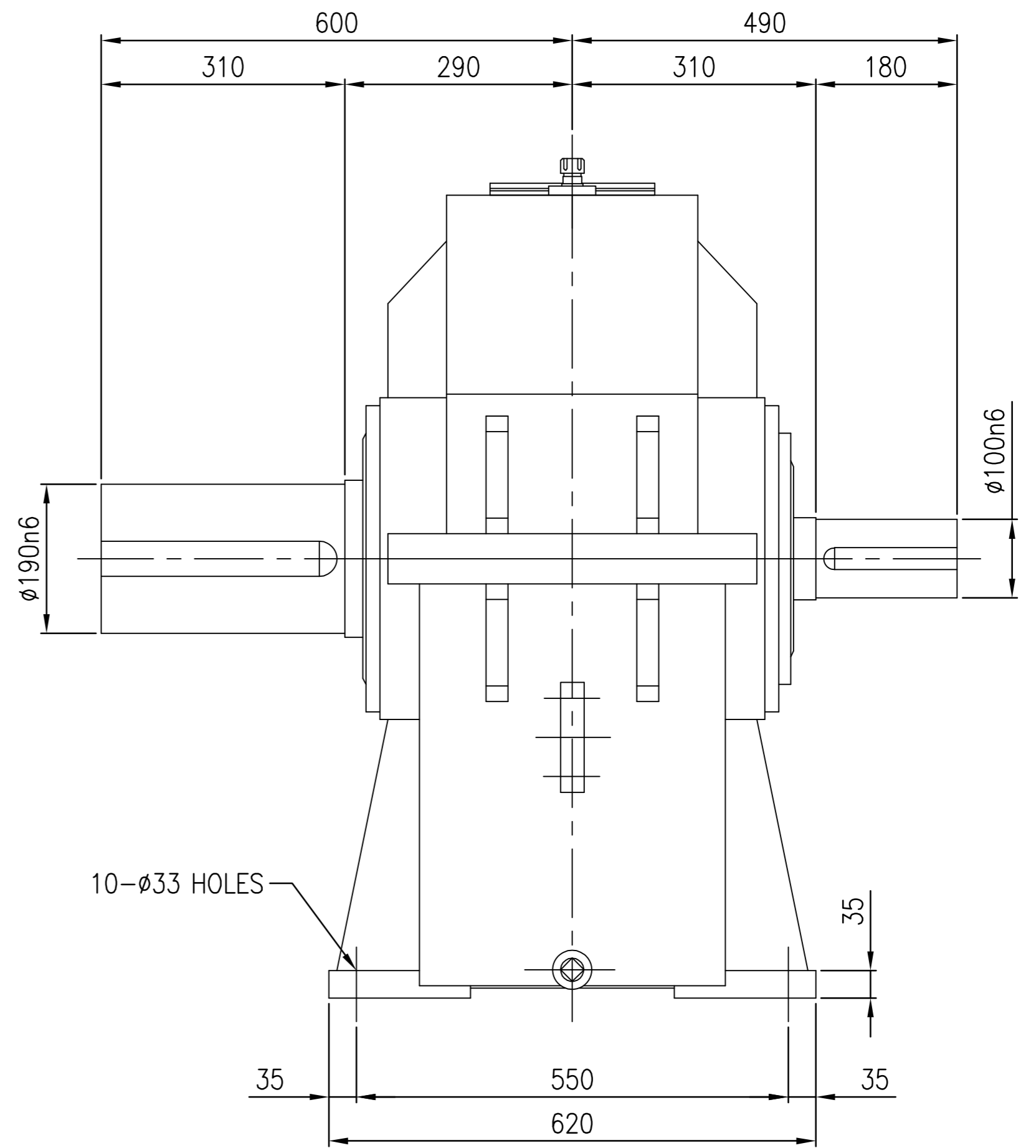
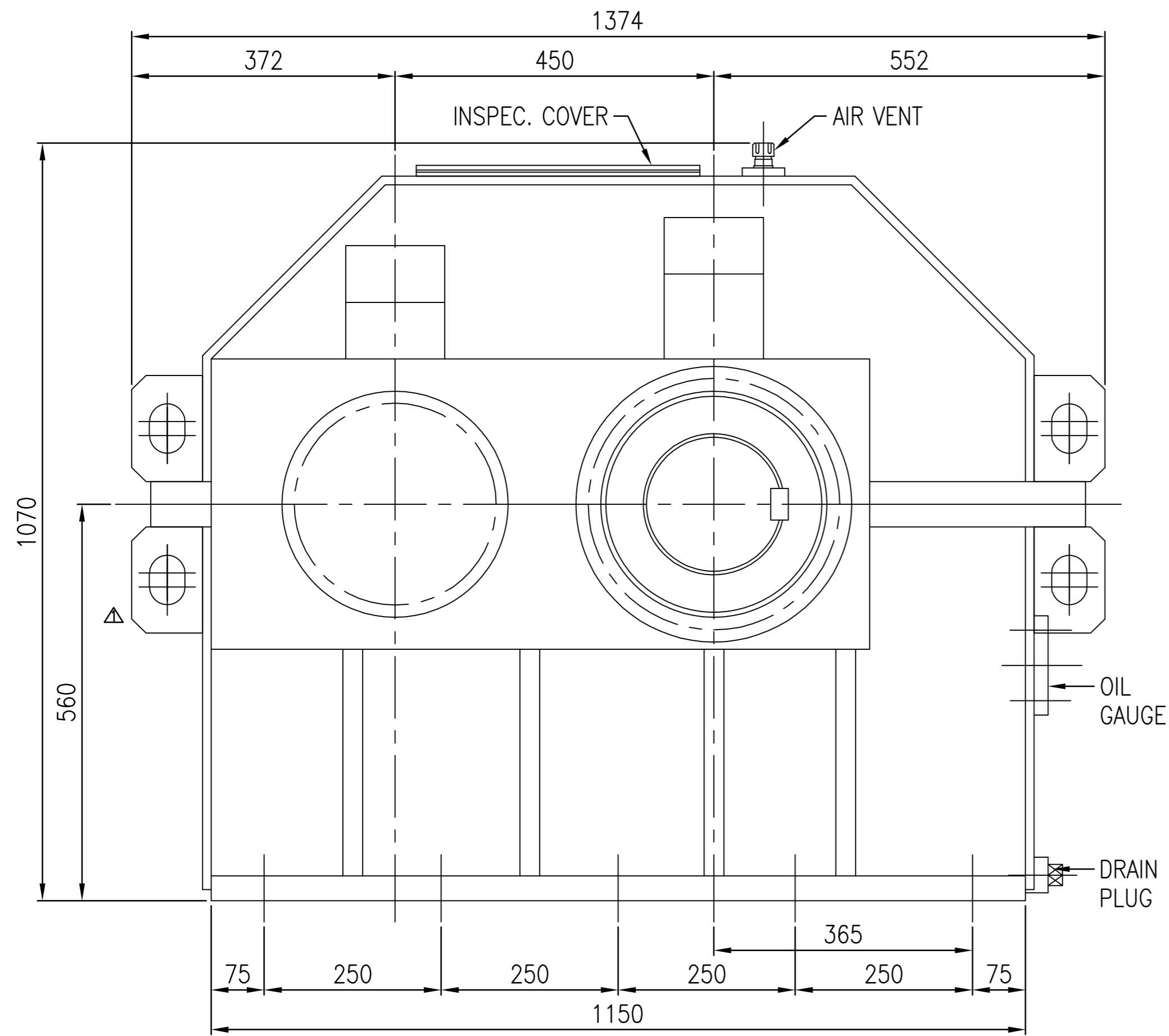


| No. | NAME | MATERIAL | DWG/MATL No. | CODE | Q'TY | SIZE | WEIGHT | REMARK |
|-----|------|----------|--------------|------|------|------|--------|--------|
|-----|------|----------|--------------|------|------|------|--------|--------|



|                 |      |                         |            |            |                 |
|-----------------|------|-------------------------|------------|------------|-----------------|
| DWG NAME        |      | 기어박스 외형도                |            |            |                 |
| DIMENSION       |      | DIMENSION               |            |            |                 |
| DWG No.         |      | EK1DO00083              |            | UNIT       | mm              |
| SCALE           |      | 1:6                     |            |            |                 |
| No.             | DATE | DESCRIPTION of REVISION | DESIGNED   | CHECKED    | REVIEWED        |
| 2013.09.26.     |      | CHANGED LIFTING LUG     |            |            |                 |
| ITEM            |      |                         | DATE       | DATE       | DATE            |
| SHA45 (i=5~6.3) |      |                         | 2013.10.24 | 2013.10.24 | 2013.10.24      |
| REF. NO.        |      |                         | DSKEN524   |            | REVISION NO. 01 |
|                 |      |                         | PROJECTION |            | 01              |