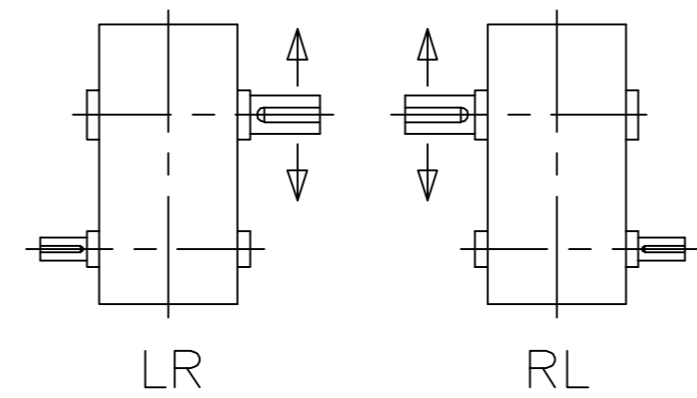
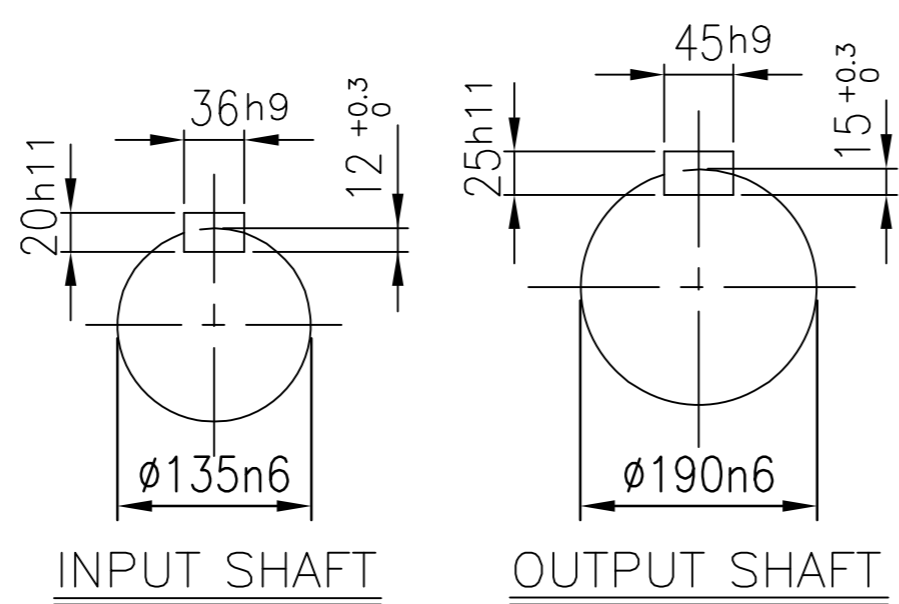
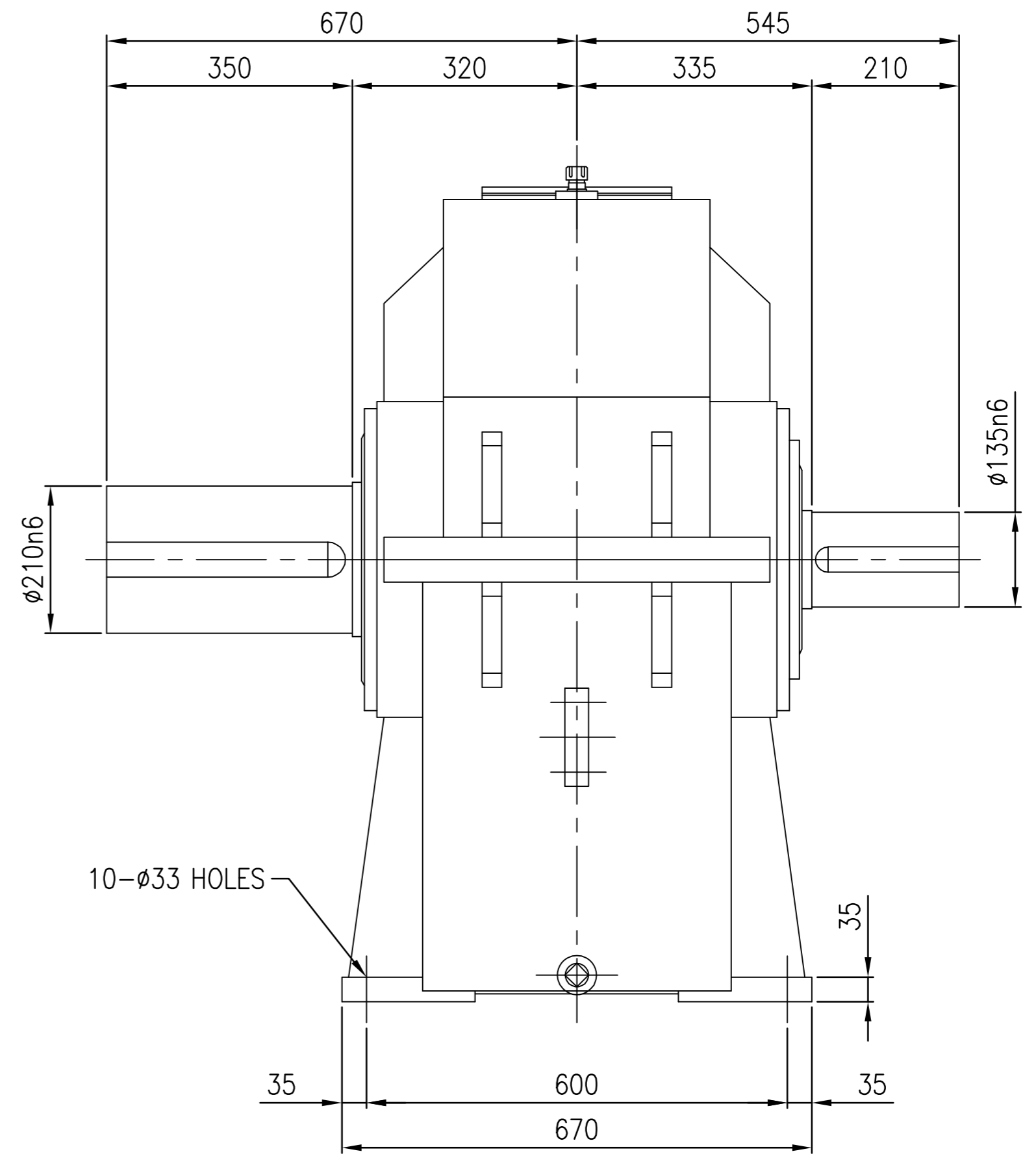
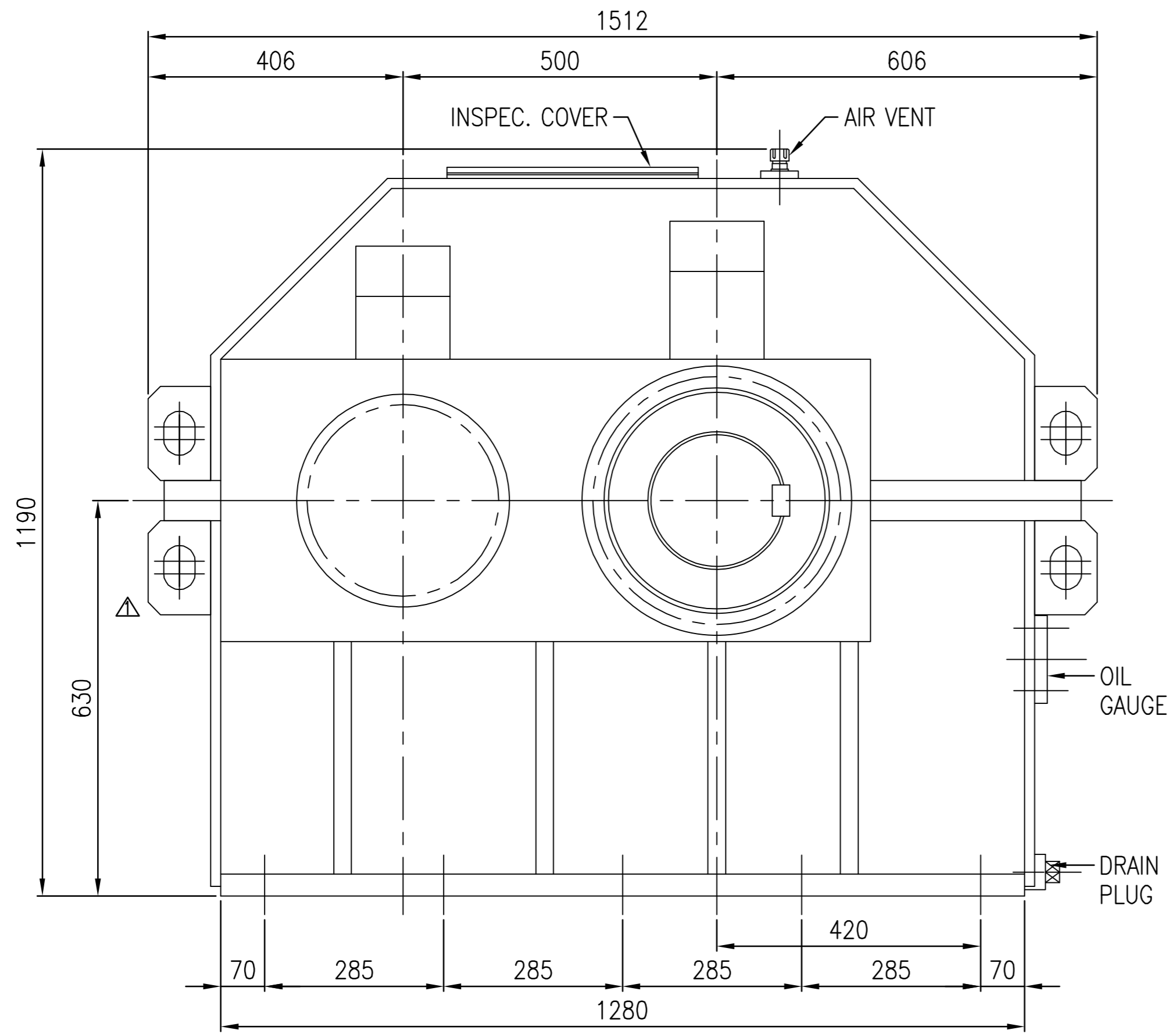


No.	NAME	MATERIAL	DWG/MATL No.	CODE	Q'TY	SIZE	WEIGHT	REMARK
-----	------	----------	--------------	------	------	------	--------	--------



DWG NAME		기어박스 외형도			
DIMENSION		DIMENSION			
2013.09.26	CHANGED LIFTING LUG	EKG1DO00085		UNIT	mm
No.	DATE	DESIGNED	CHECKED	REVIEWED	APPROVED
FORM	CE-14-0100-4A2	2013.10.24	2013.10.24	2013.10.24	2013.10.26
ITEM	SHA50 (i=3.15~4.5)	박선향	서성민	김기동	REVISION NO. 01
REF. NO.		DSKEN526		PROJECTION	