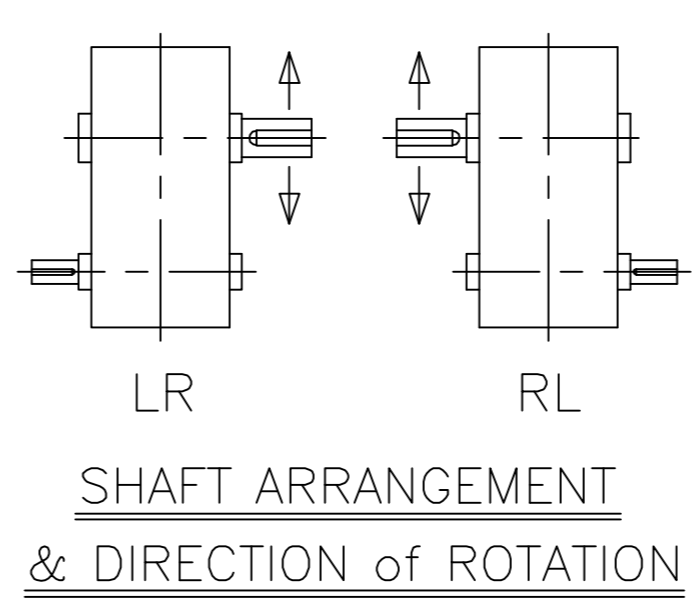
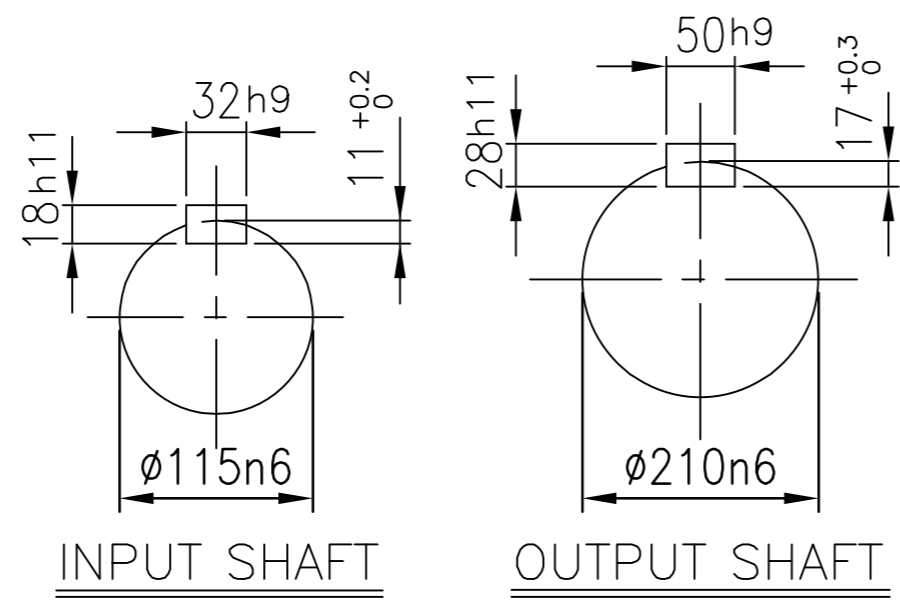
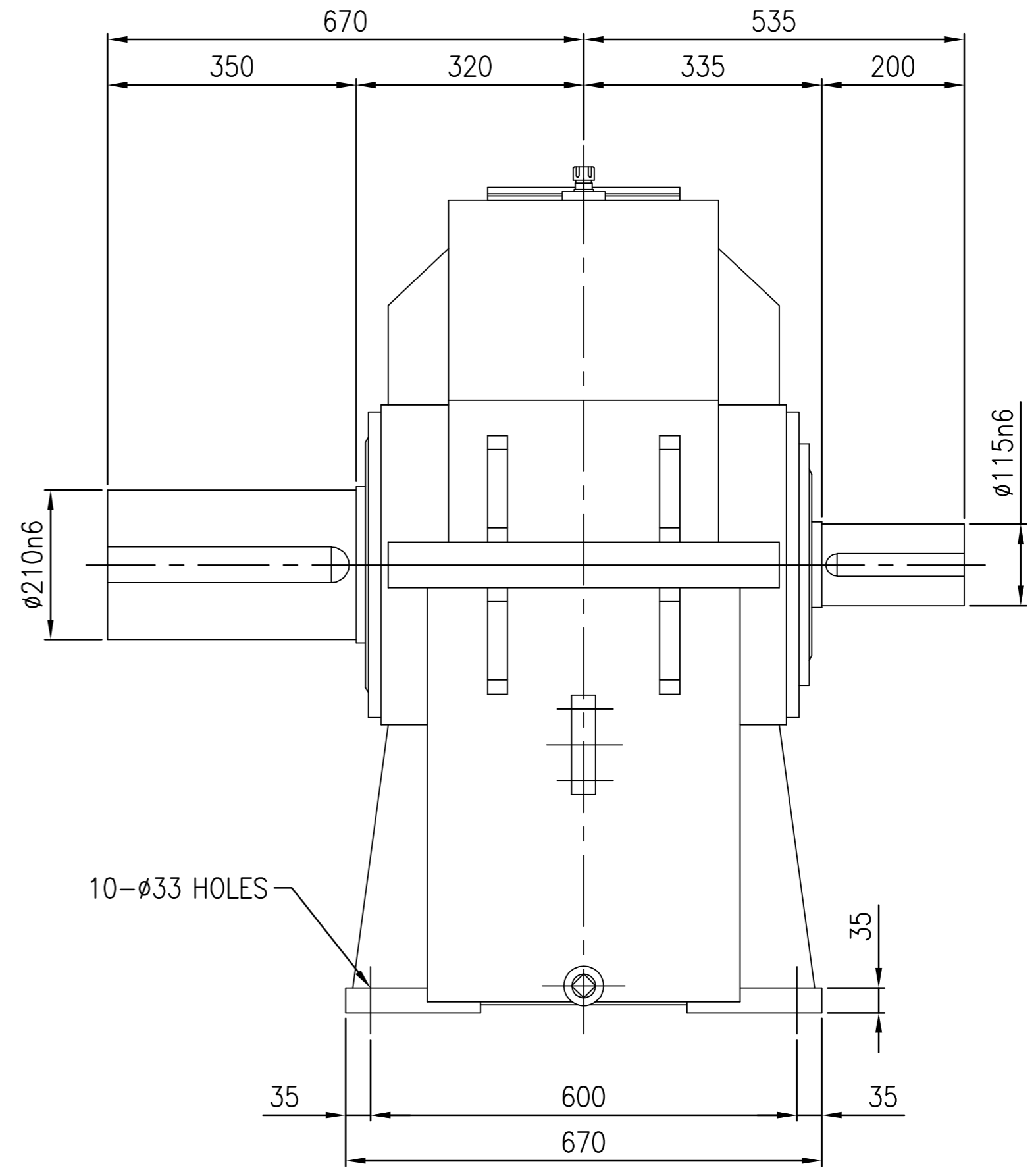
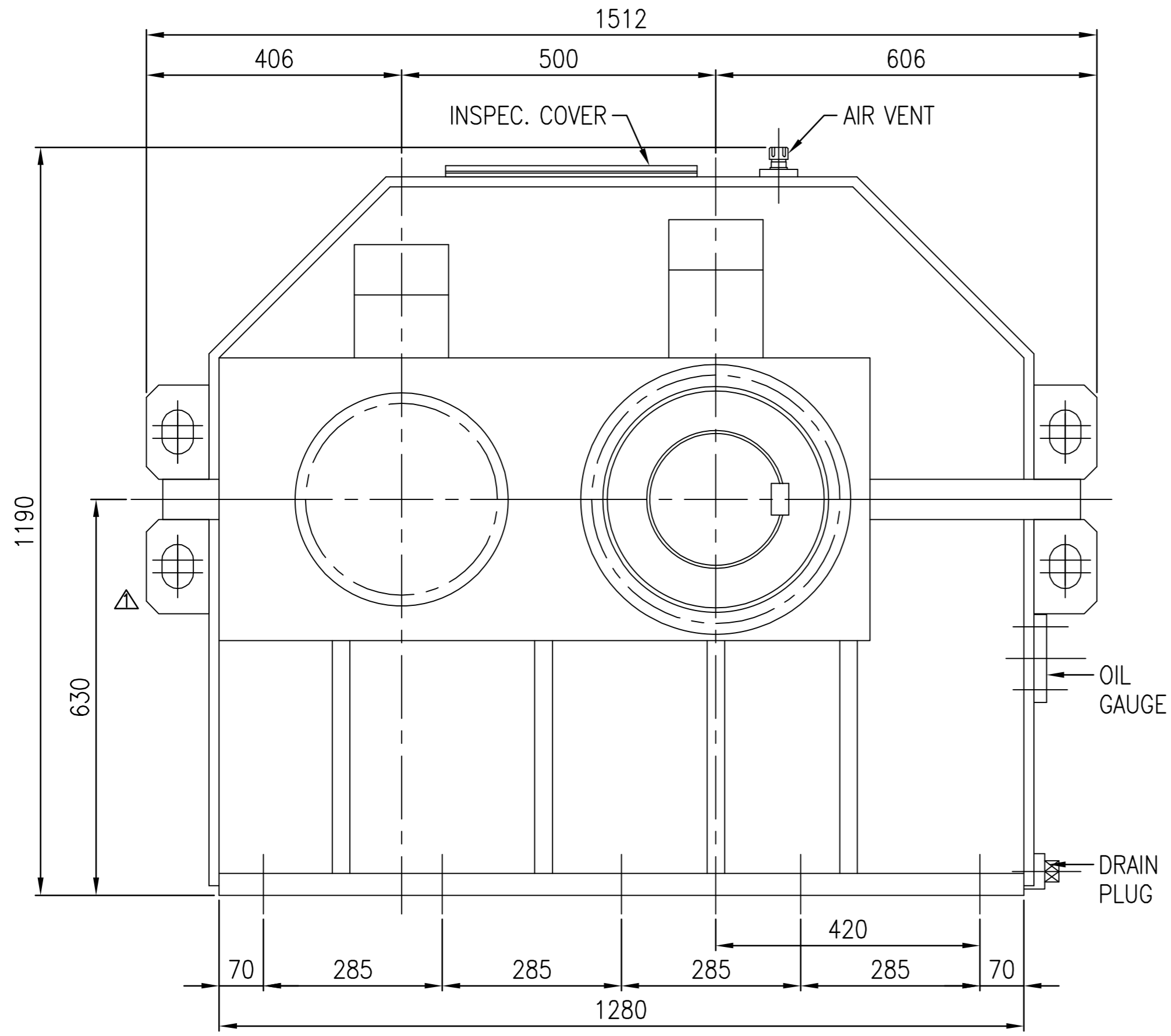


No.	NAME	MATERIAL	DWG/MATL No.	CODE	Q'TY	SIZE	WEIGHT	REMARK
-----	------	----------	--------------	------	------	------	--------	--------



DWG NAME		기어박스 외형도			
DIMENSION		DIMENSION			
DWG No.		EK1DO00086		UNIT	mm
SCALE		1:7			
No.	DATE	DESCRIPTION of REVISION	DESIGNED	CHECKED	REVIEWED
2013.09.26.		CHANGED LIFTING LUG			
DATE			2013.10.24	2013.10.24	2013.10.24
DATE			박선향	서성민	김기동
REVISION NO.			01		
PROJECTION			A		
ITEM			SHA50 (i=5~6.3)		
REF. NO.			DSKEN527		