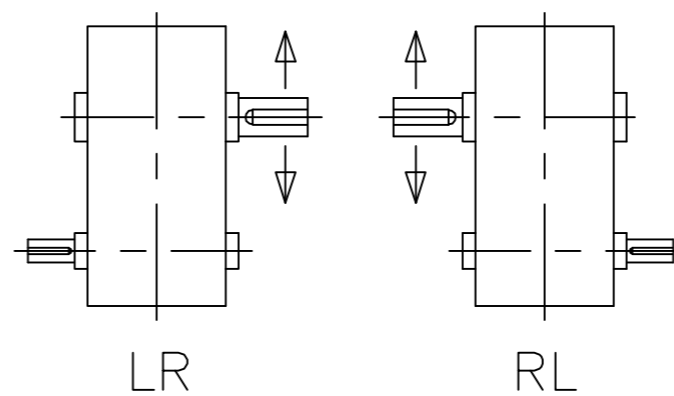
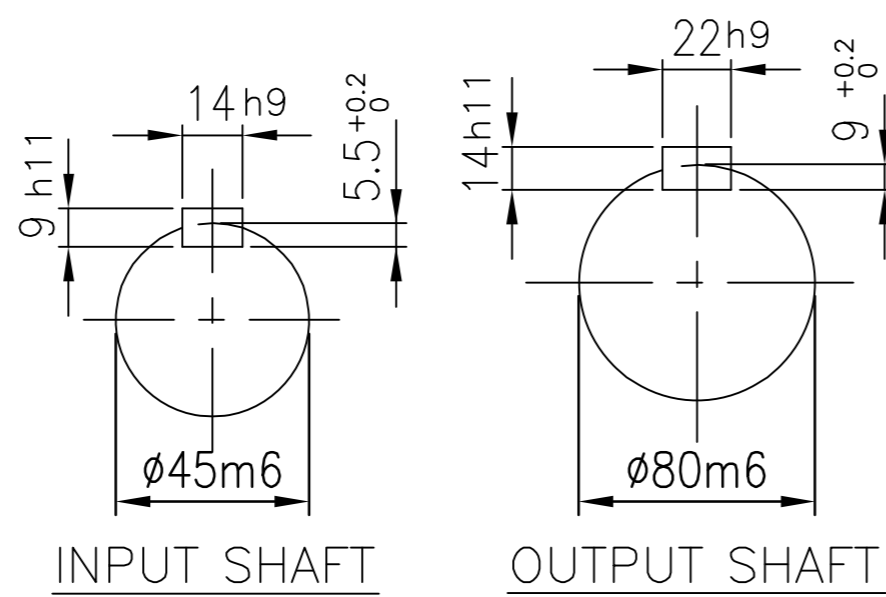
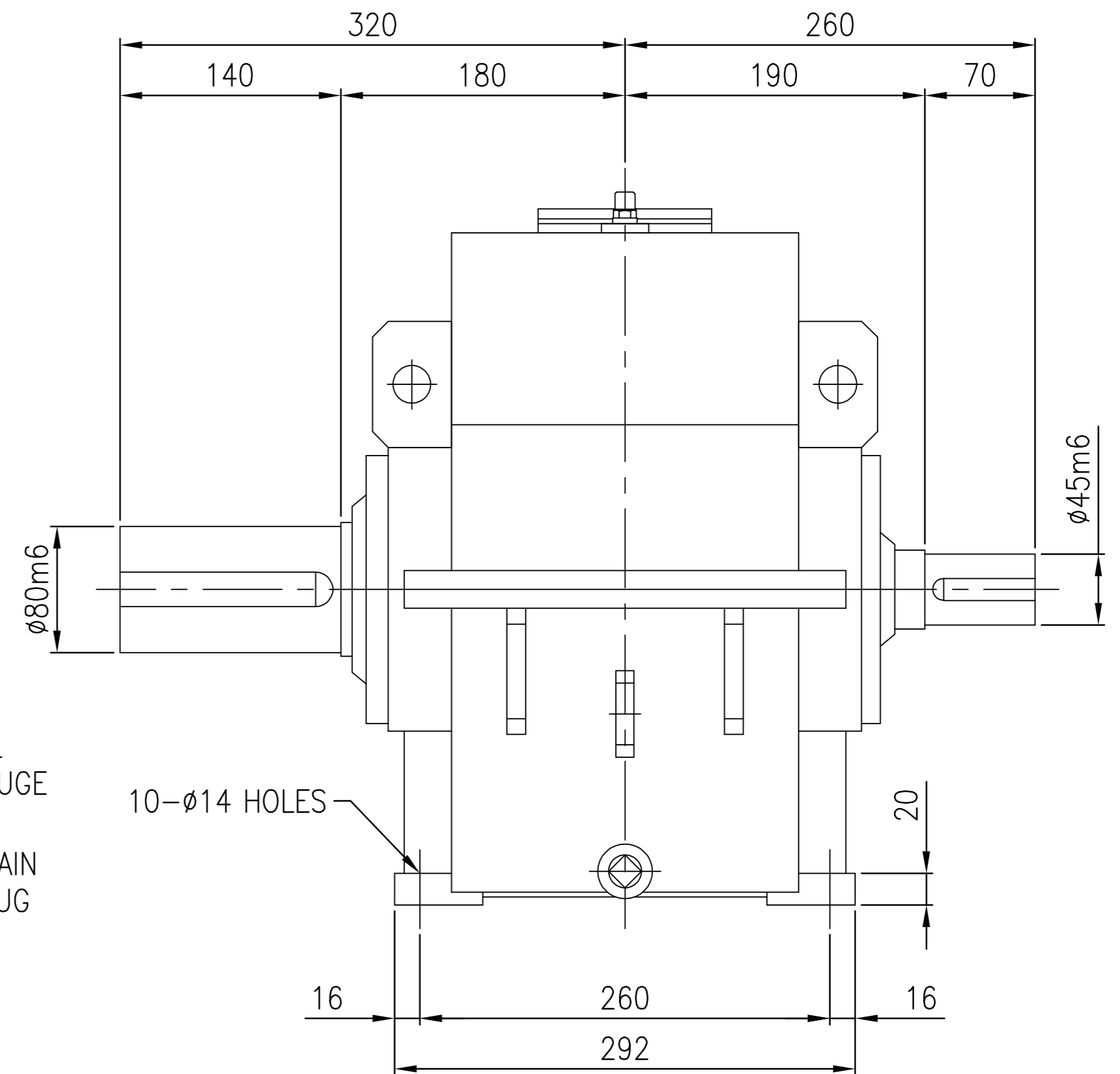
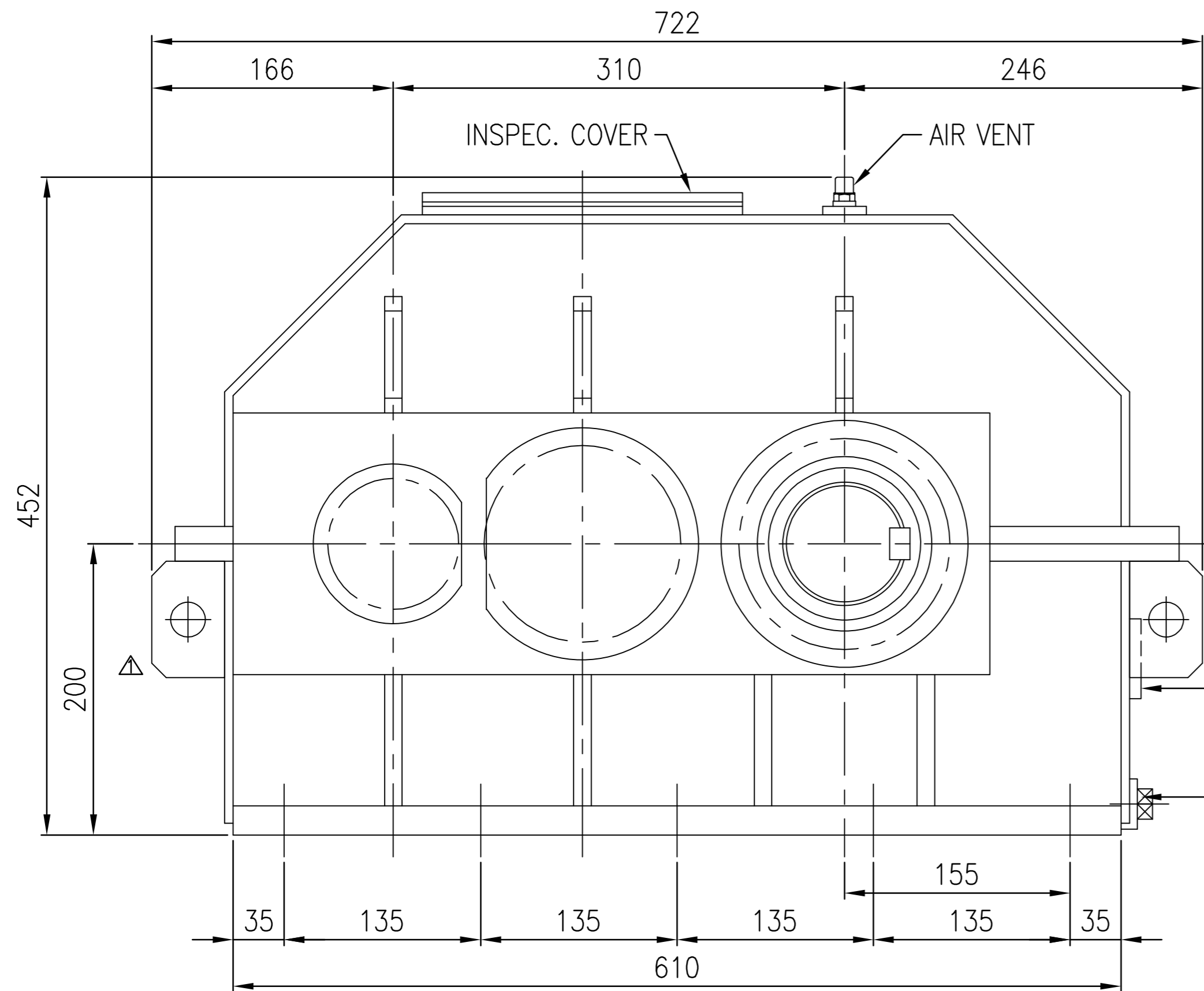


No.	NAME	MATERIAL	DWG/MATL No.	CODE	Q'TY	SIZE	WEIGHT	REMARK
-----	------	----------	--------------	------	------	------	--------	--------



SHAFT ARRANGEMENT & DIRECTION of ROTATION

DWG NAME		기어박스 외형도				DIMENSION	
2013.09.26	CHANGED LIFTING LUG	EKG1DO00087		UNIT	mm		
No.	DATE	DESIGNED	CHECKED	REVIEWED	APPROVED	DATE	2013-09-27
FORM CE-14-0100-4A2 2012.02.08		HYOSUNG		2013.10.24	2013.10.24	2013.10.24	REVISION NO. 01
ITEM SHB18 (i=7.1~11.2)		REF. NO.		DSKEN528		PROJECTION	(A)