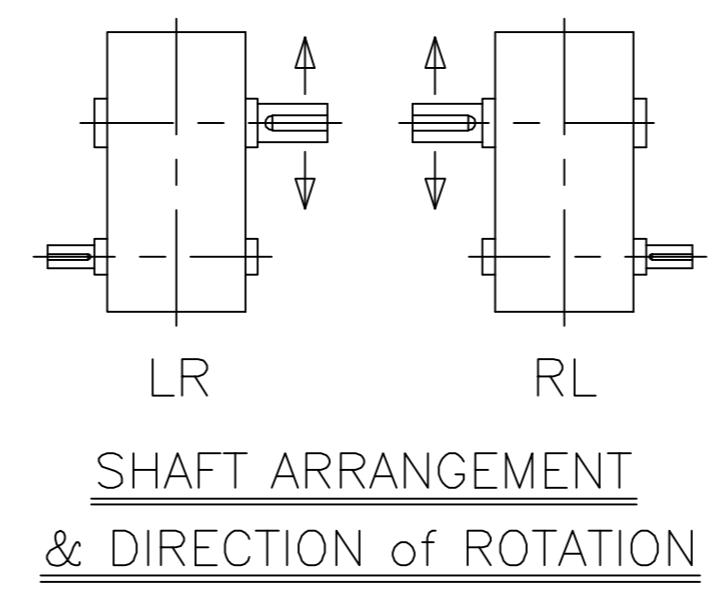
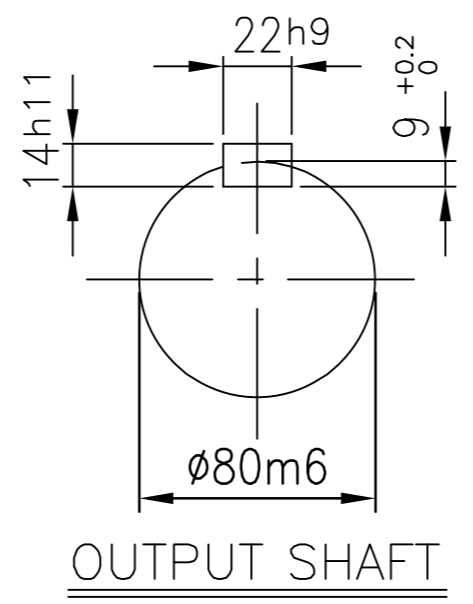
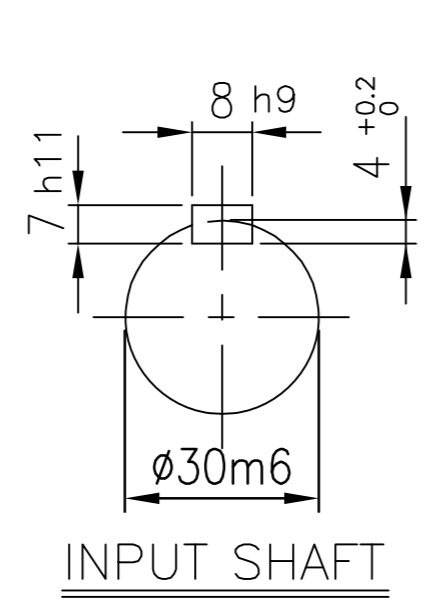
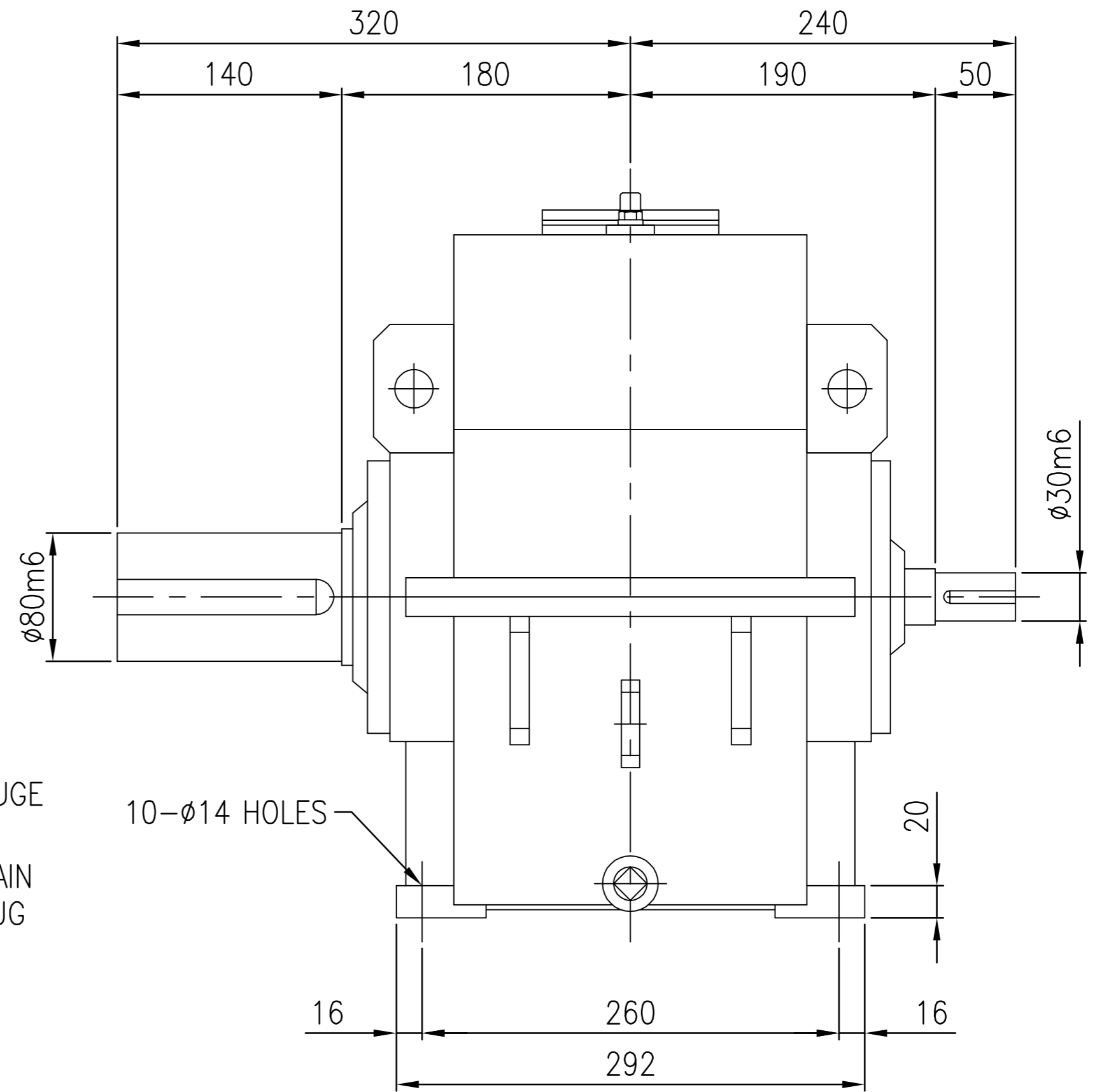
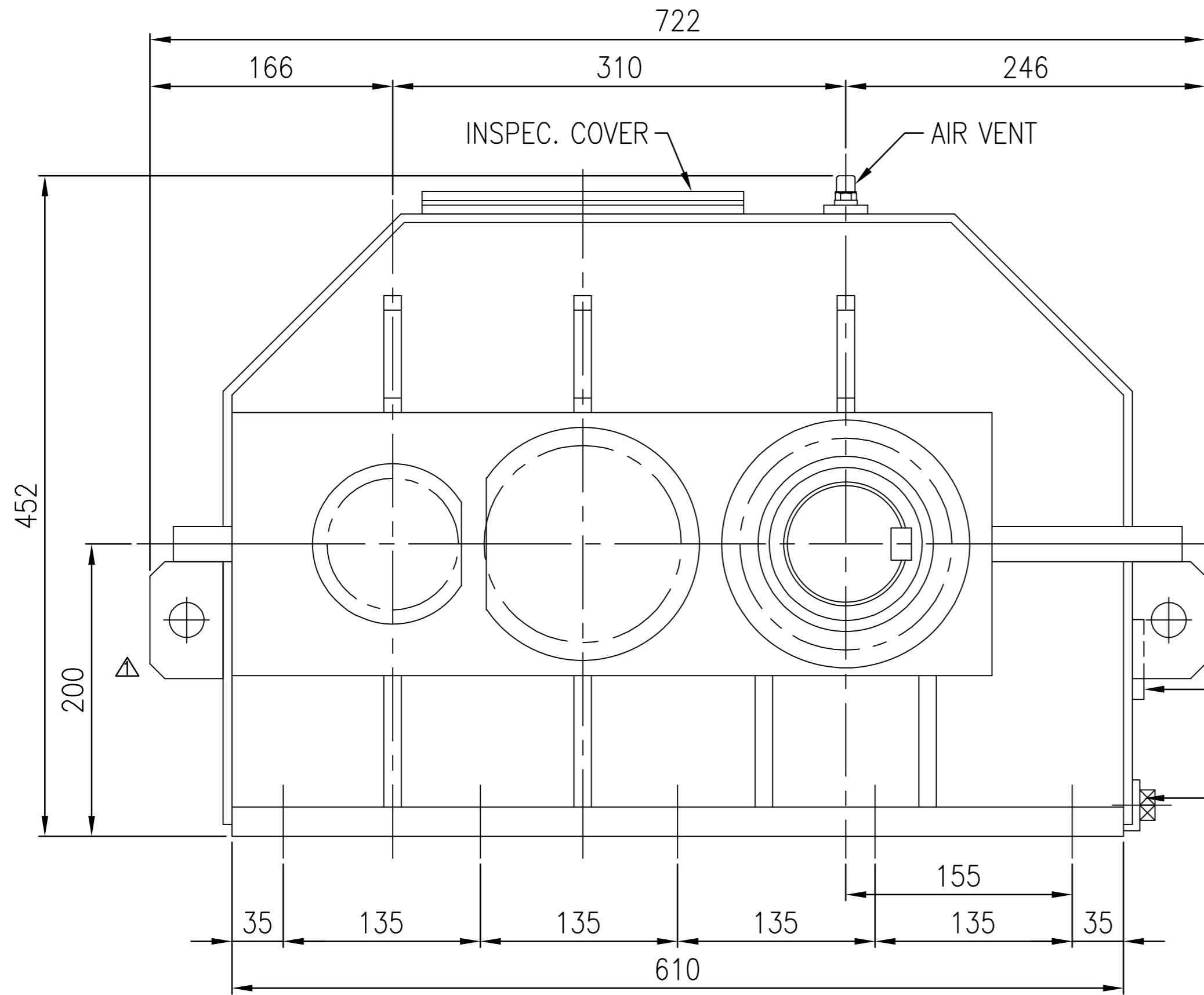


No.	NAME	MATERIAL	DWG/MATL No.	CODE	Q'TY	SIZE	WEIGHT	REMARK
-----	------	----------	--------------	------	------	------	--------	--------



DWG NAME		기어박스 외형도 DIMENSION						
No.	DATE	DESCRIPTION of REVISION	DESIGNED	CHECKED	REVIEWED	APPROVED	DATE	2013-09-26
2013.09.26		CHANGED LIFTING LUG	박선향	서성민		김기동	REVISION NO.	01
FORM CE-14-0100-442 2012.02.08		HYOSUNG		SHB18 (i=25~28)		REF. NO.	DSKEN530	
						UNIT		mm
						SCALE		1:3
						PROJECTION		