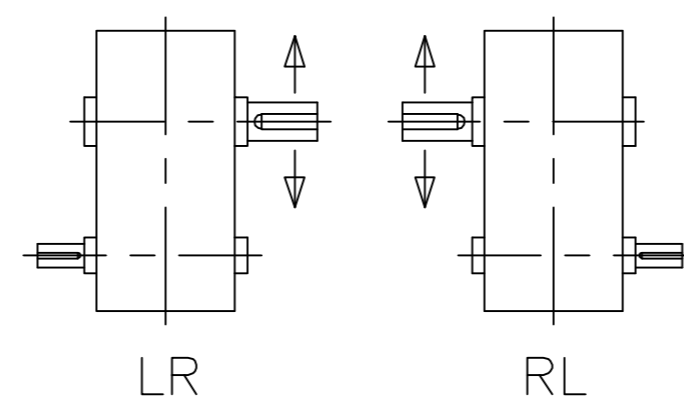
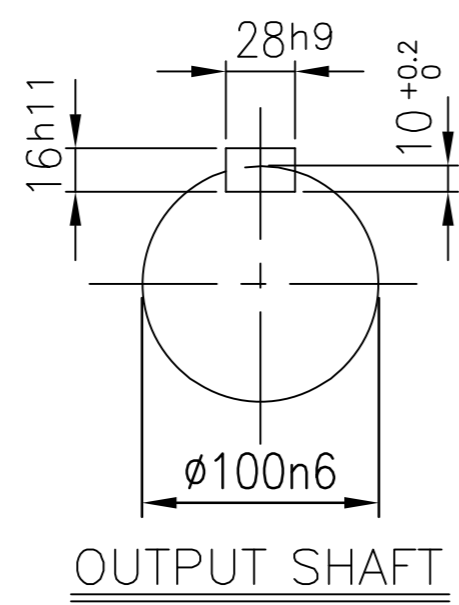
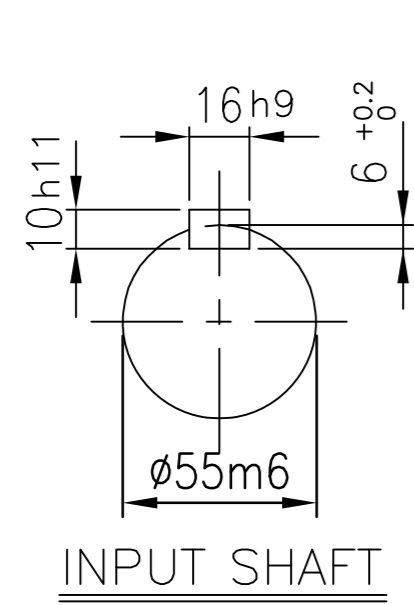
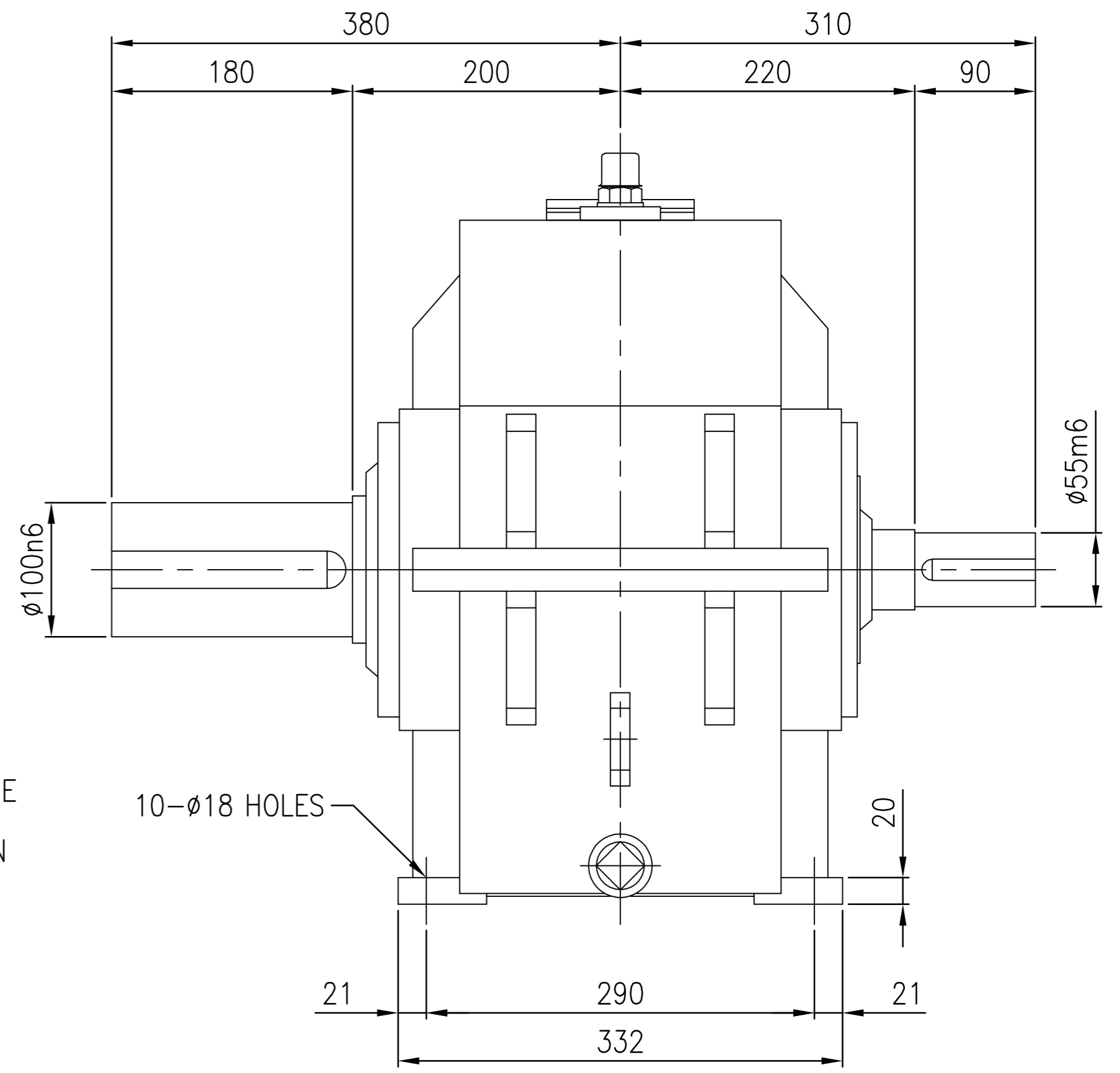
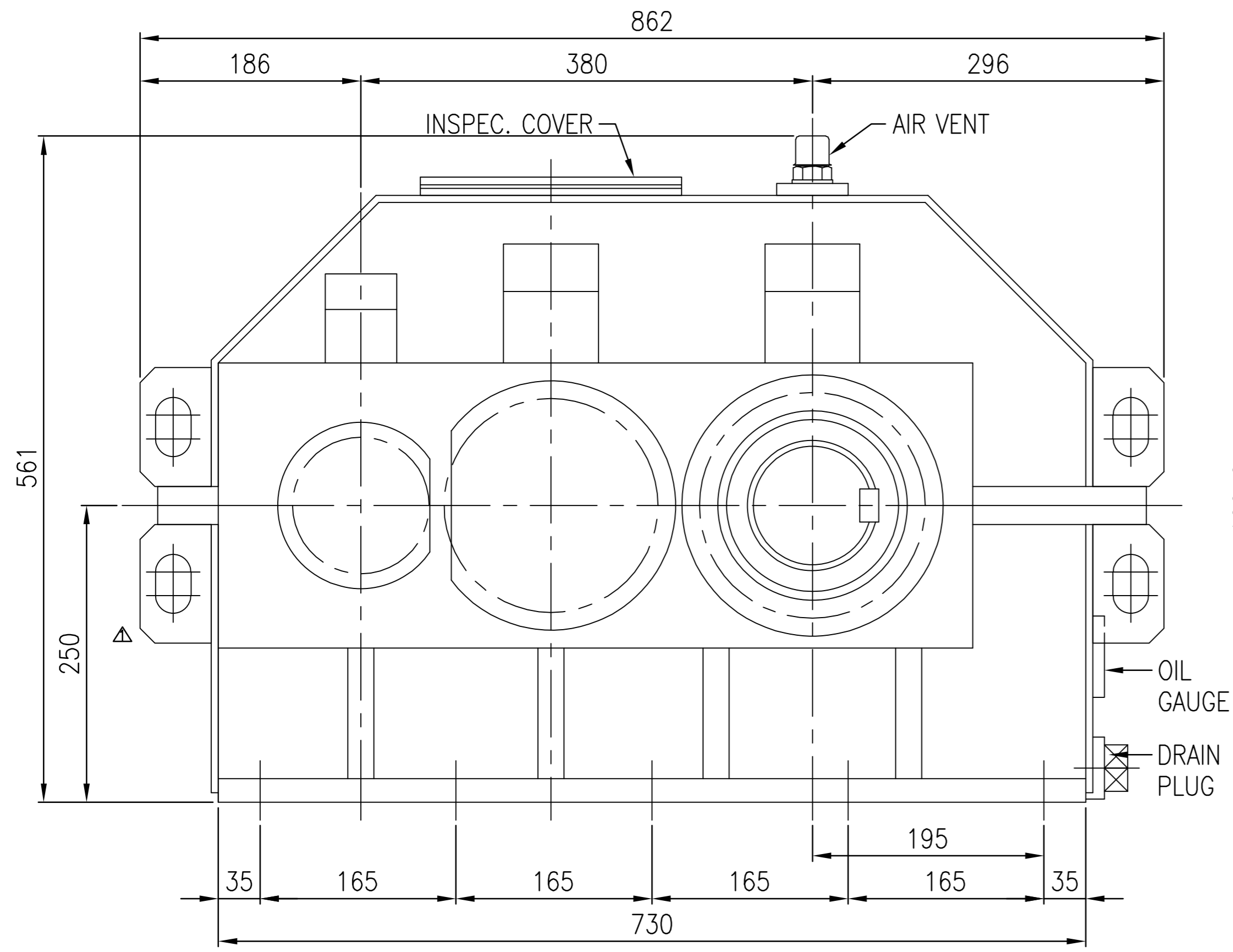


| No. | NAME | MATERIAL | DWG/MATL No. | CODE | Q'TY | SIZE | WEIGHT | REMARK |
|-----|------|----------|--------------|------|------|------|--------|--------|
|-----|------|----------|--------------|------|------|------|--------|--------|



| DWG NAME | | 기어박스 외형도 | | | |
|--------------------------------|---------------------|---------------------------|------------|--------------|----------|
| DIMENSION | | DIMENSION | | | |
| 2013.09.26 | CHANGED LIFTING LUG | DWG No. EK1D000090 | | UNIT | mm |
| No. | DATE | DESIGNED | CHECKED | REVIEWED | APPROVED |
| 2013.10.24 | 박선희 | 2013.10.24 | 서성민 | 2013.10.24 | 김기동 |
| DESCRIPTION of REVISION | | DATE | 2013-09-26 | REVISION NO. | 01 |
| FORM CE-14-0100-4A2 2012.02.08 | | HYOSUNG | | PROJECTION | ☉ |
| ITEM SHB22 (i=7.1~11.2) | | REF. NO. | DSKEN531 | | |