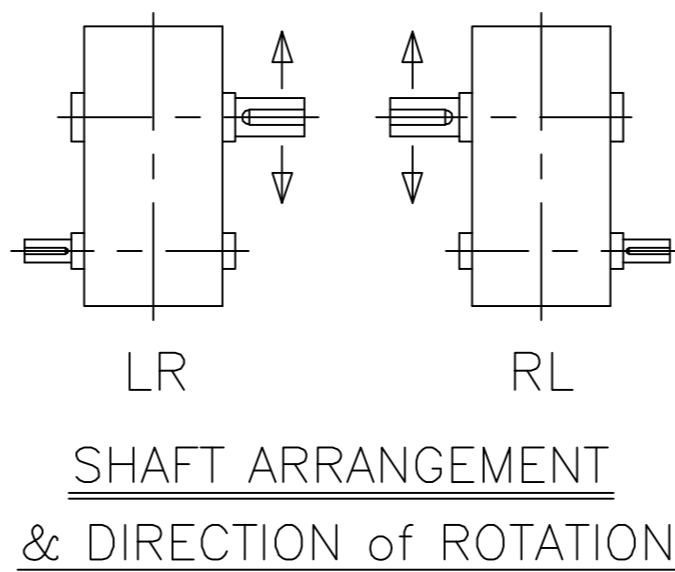
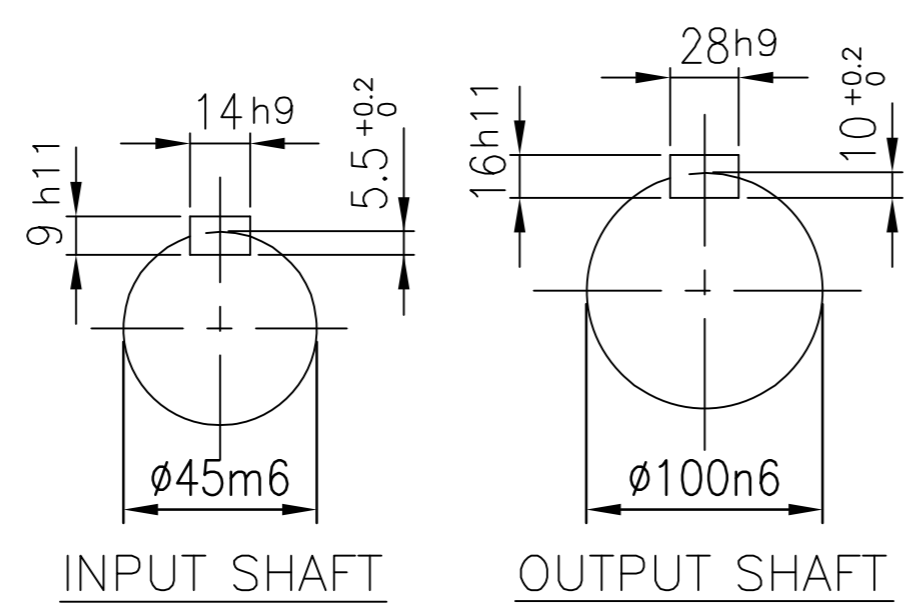
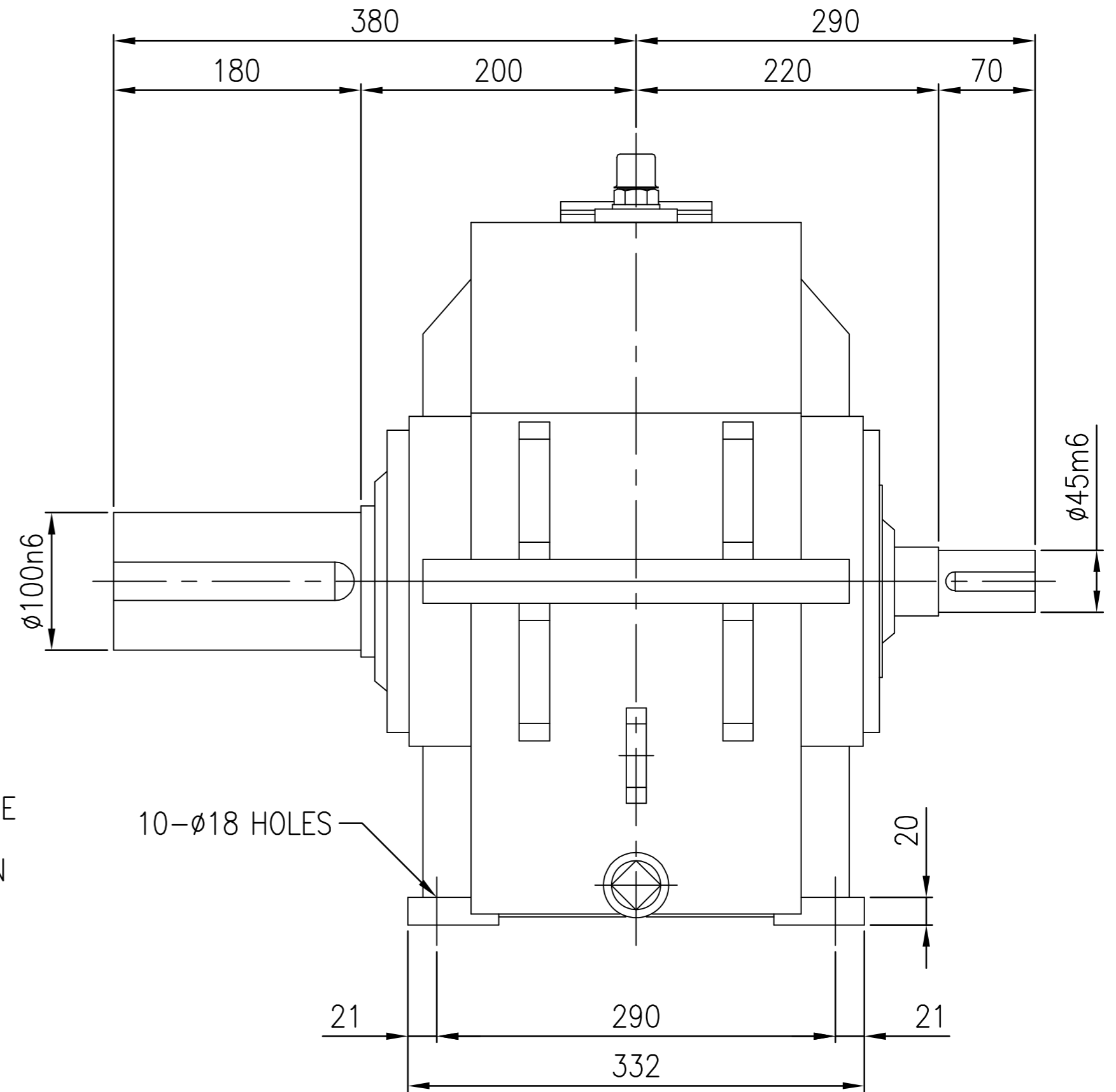
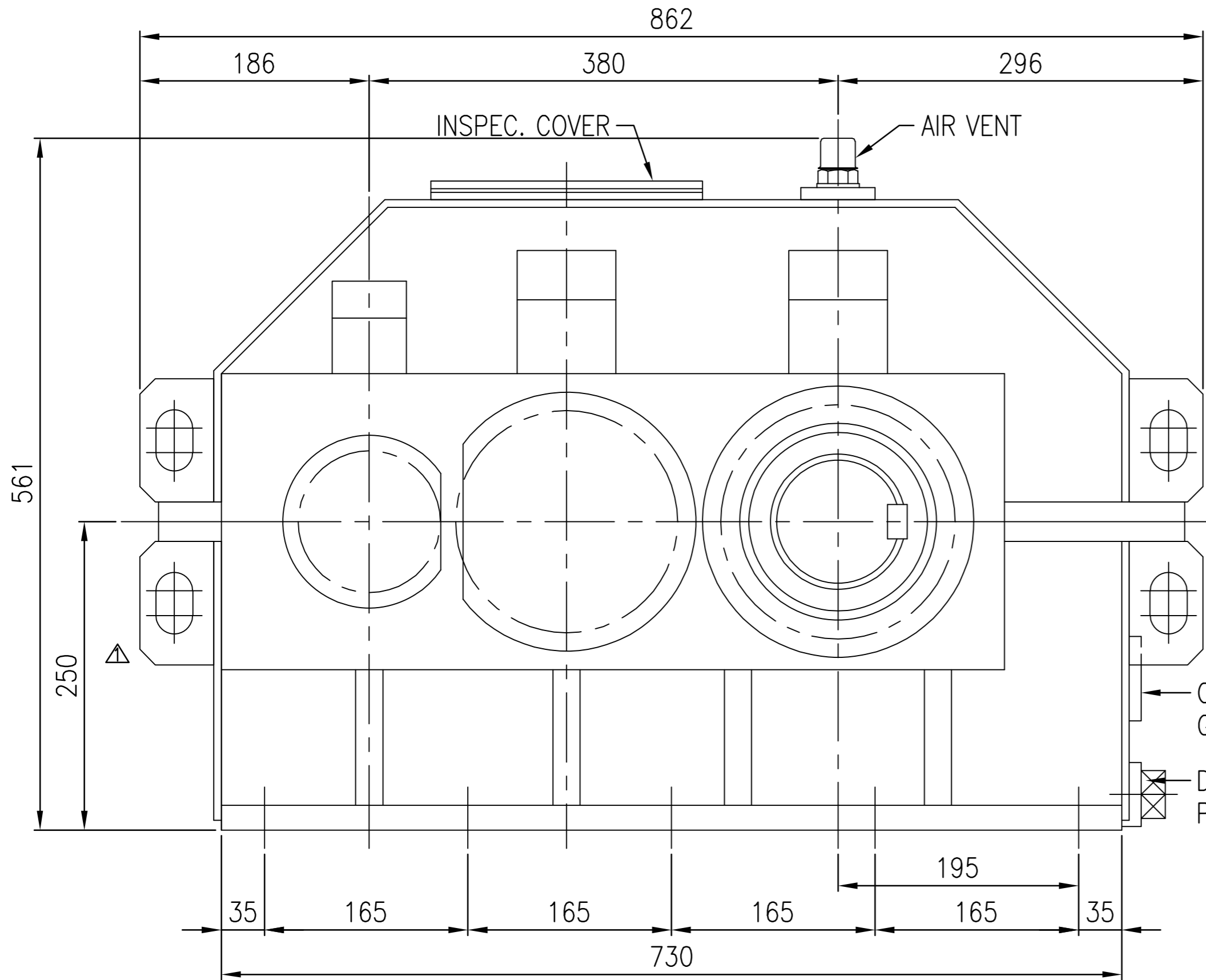


No.	NAME	MATERIAL	DWG/MATL No.	CODE	Q'TY	SIZE	WEIGHT	REMARK
-----	------	----------	--------------	------	------	------	--------	--------



DWG NAME		기어박스 외형도 DIMENSION			
2013.09.26	CHANGED LIFTING LUG	DWG No. EK1DO00091		UNIT	mm
No.	DATE	DESIGNED	CHECKED	REVIEWED	APPROVED
1	2013.10.24	박선향	서성민		2013.10.24
FORM		SCALE		REVISION NO.	01
CE-14-0100-442		1:3.5		PROJECTION	☉
ITEM		REF. NO.		DATE	
SHB22 (i=12.5~22.4)		DSKEN532		2013-09-26	