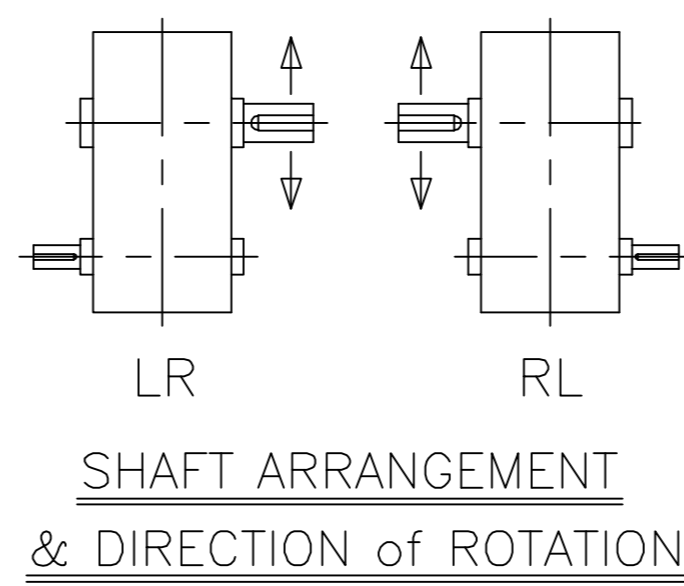
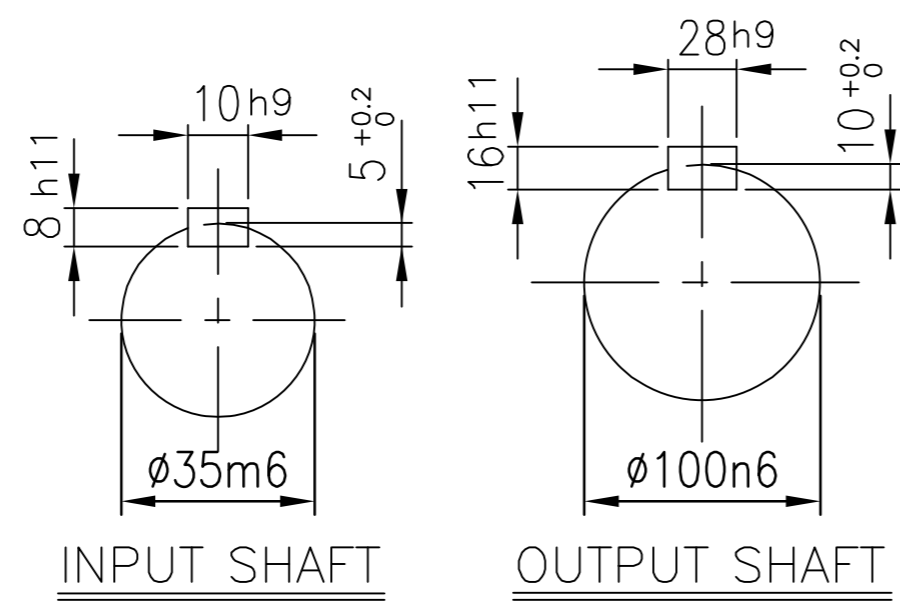
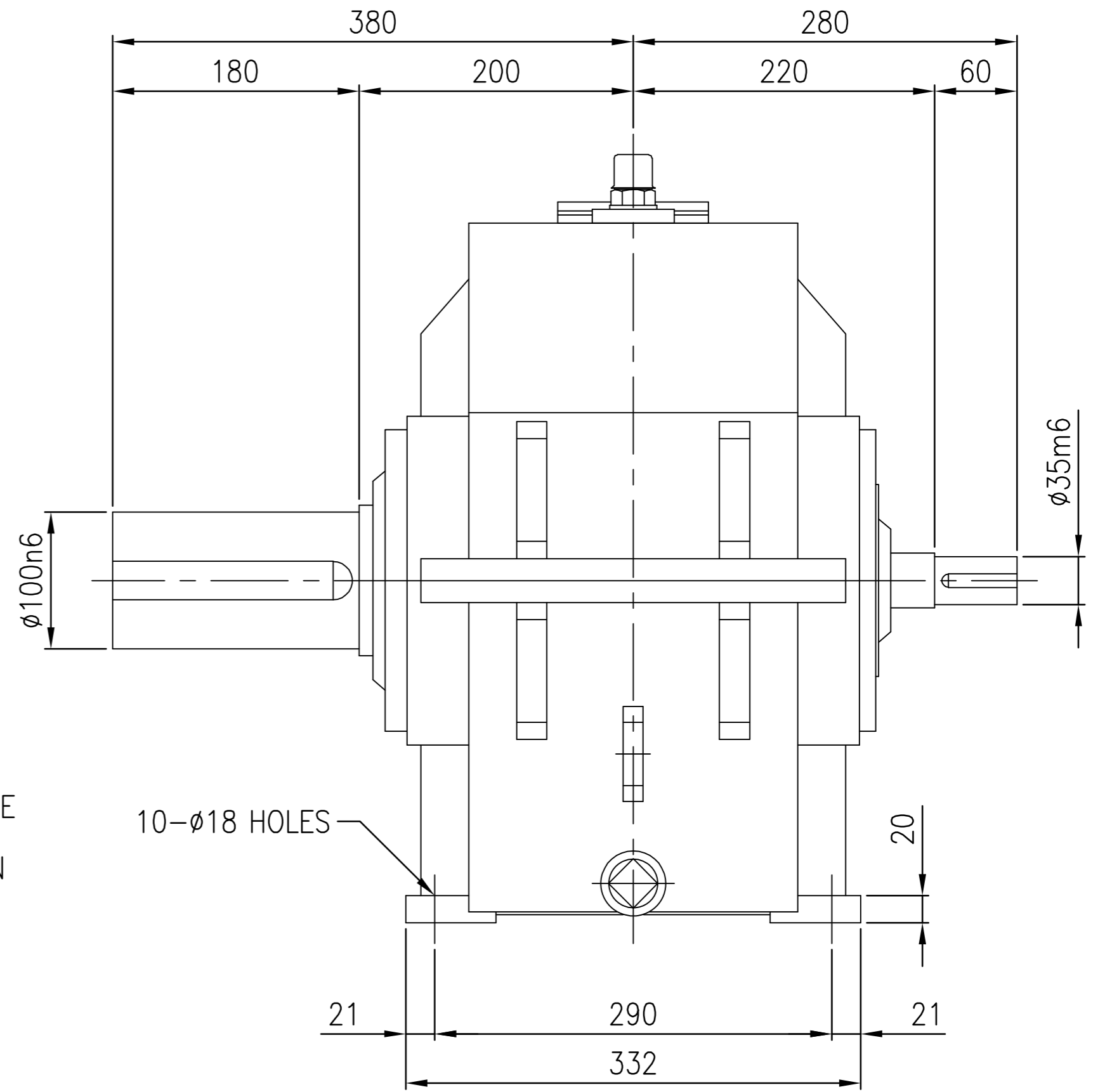
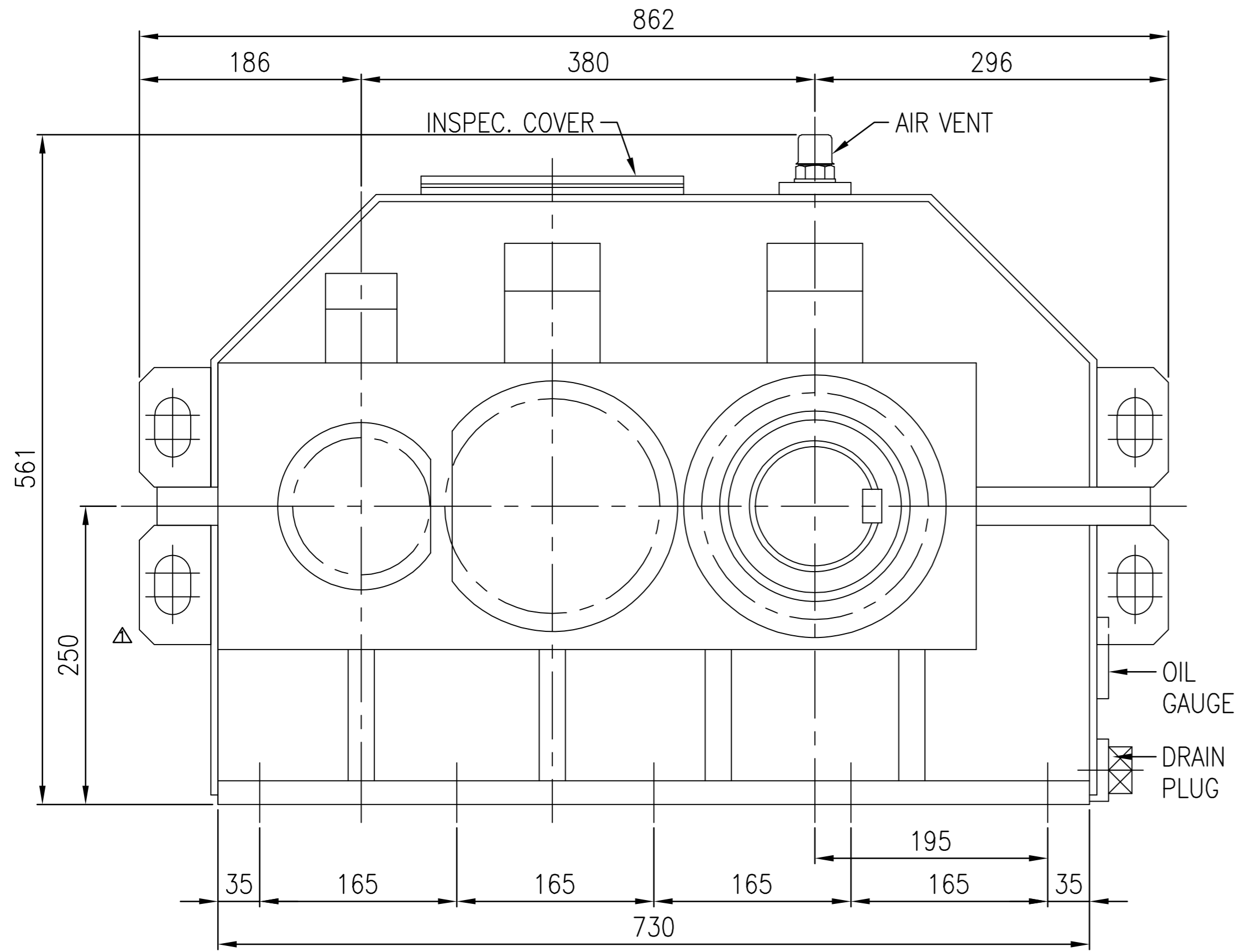


No.	NAME	MATERIAL	DWG/MATL No.	CODE	Q'TY	SIZE	WEIGHT	REMARK
-----	------	----------	--------------	------	------	------	--------	--------



DWG NAME		기어박스 외형도			
DIMENSION		DIMENSION			
2013.09.26	CHANGED LIFTING LUG	DESIGNED	CHECKED	REVIEWED	APPROVED
2013.10.24	박선향	2013.10.24	서성민	2013.10.24	김기동
FORM CE-14-0100-4A2 2012.02.08	HYOSUNG	REF. NO.	DSKEN533		
ITEM	SHB22 (i=25~28)	A			