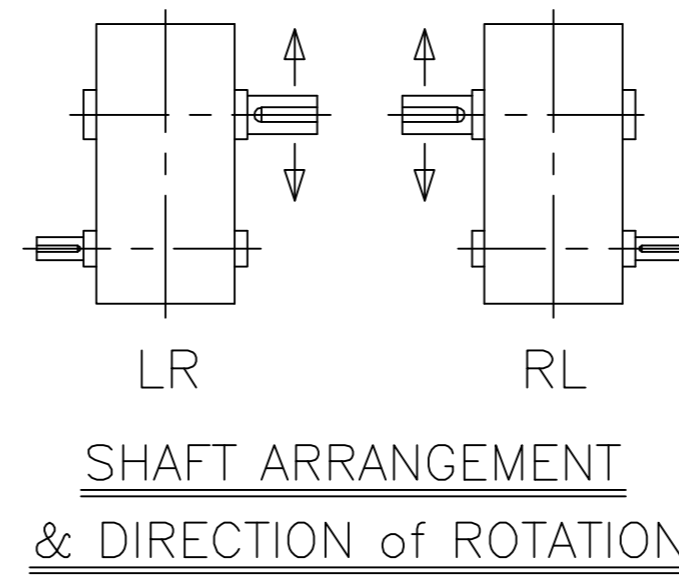
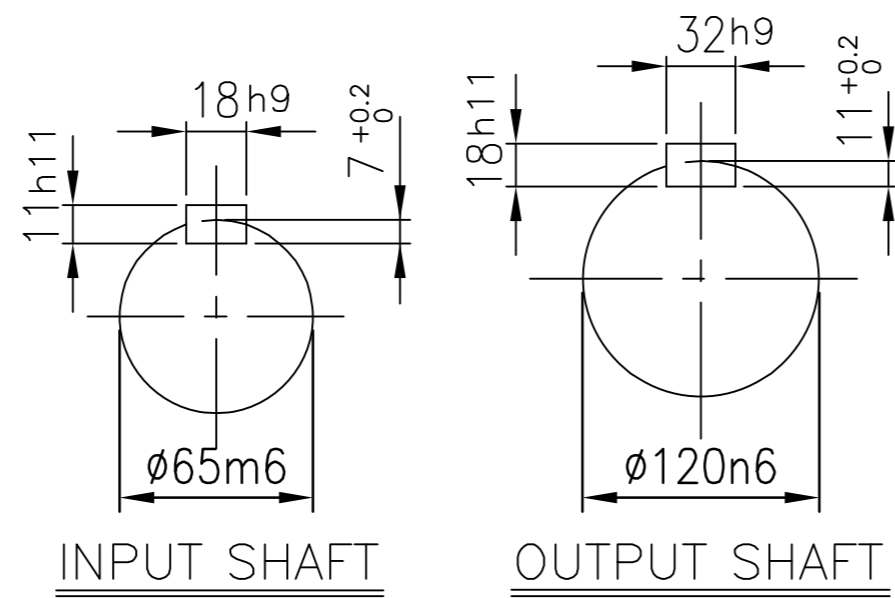
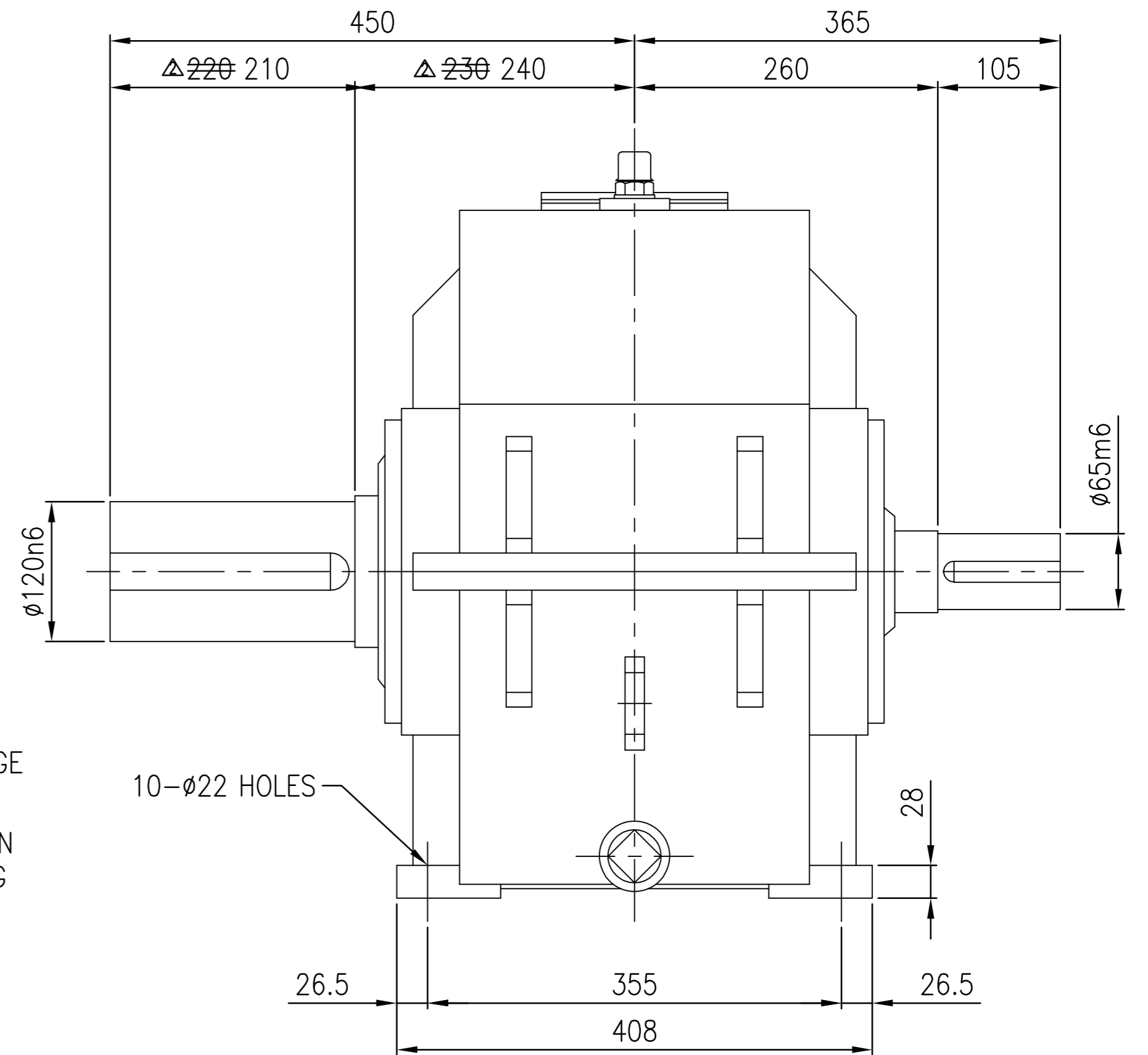
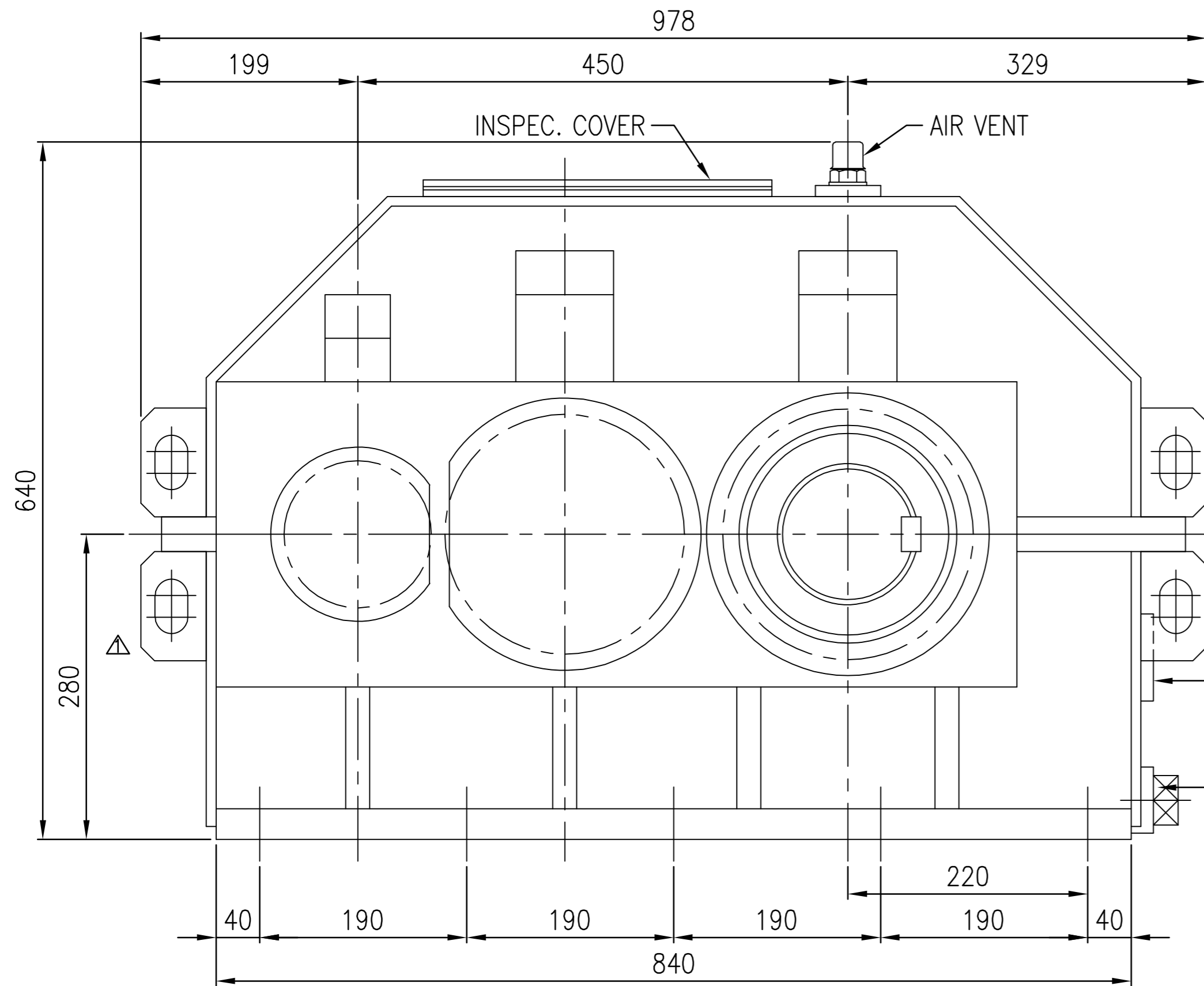


No.	NAME	MATERIAL	DWG/MATL No.	CODE	Q'TY	SIZE	WEIGHT	REMARK
-----	------	----------	--------------	------	------	------	--------	--------



No.		DATE	DESCRIPTION of REVISION	DESIGNED	CHECKED	REVIEWED	APPROVED	DATE	2013-09-26
2013.12.11.			CHANGED DIMENSION						
2013.09.26.			CHANGED LIFTING LUG						
FORM		CE-14-0100-442	2012.02.08			2013.12.11	2013.12.12	2013.12.12	REVISION NO. 02
ITEM		SHB26 (i=7.1~11.2)		REF. NO.		DSKEN534			