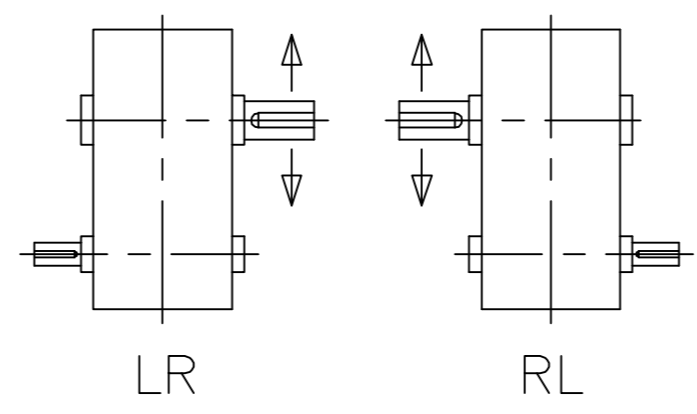
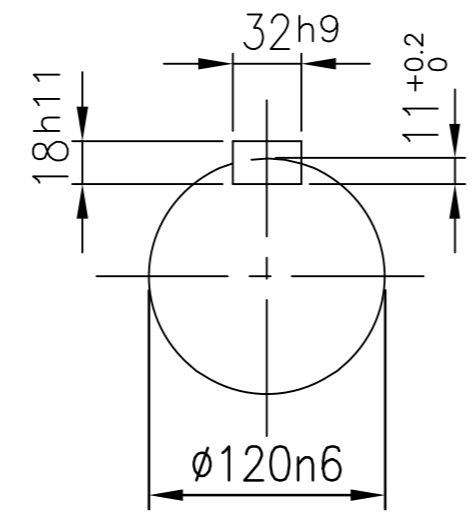
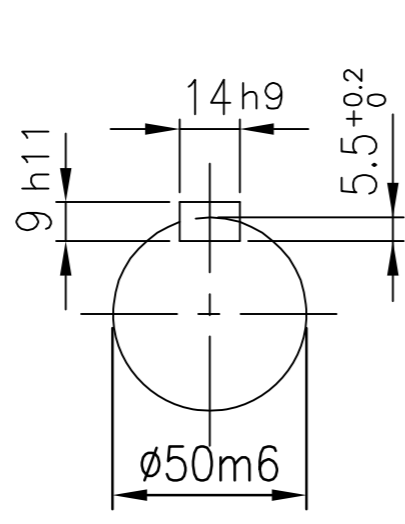
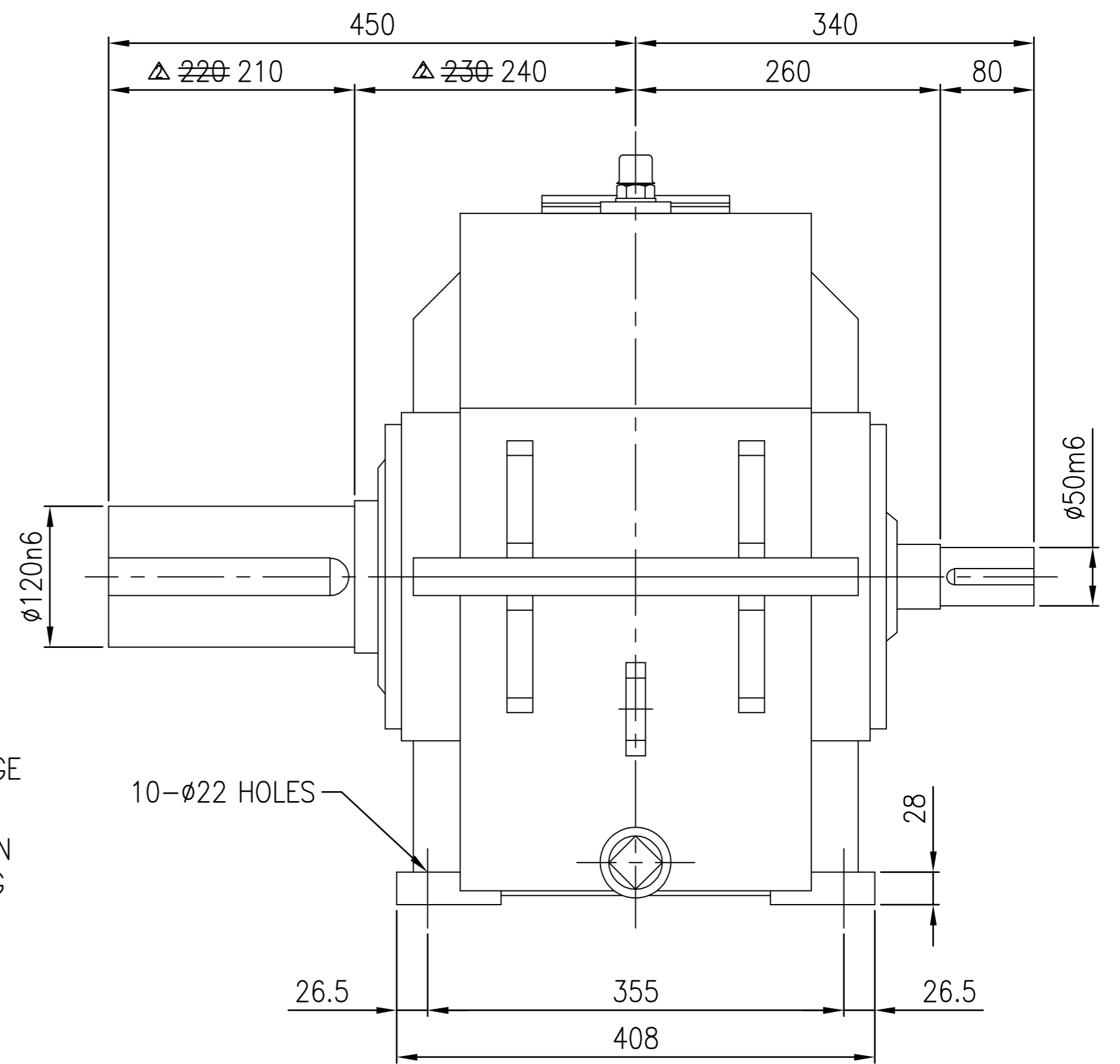
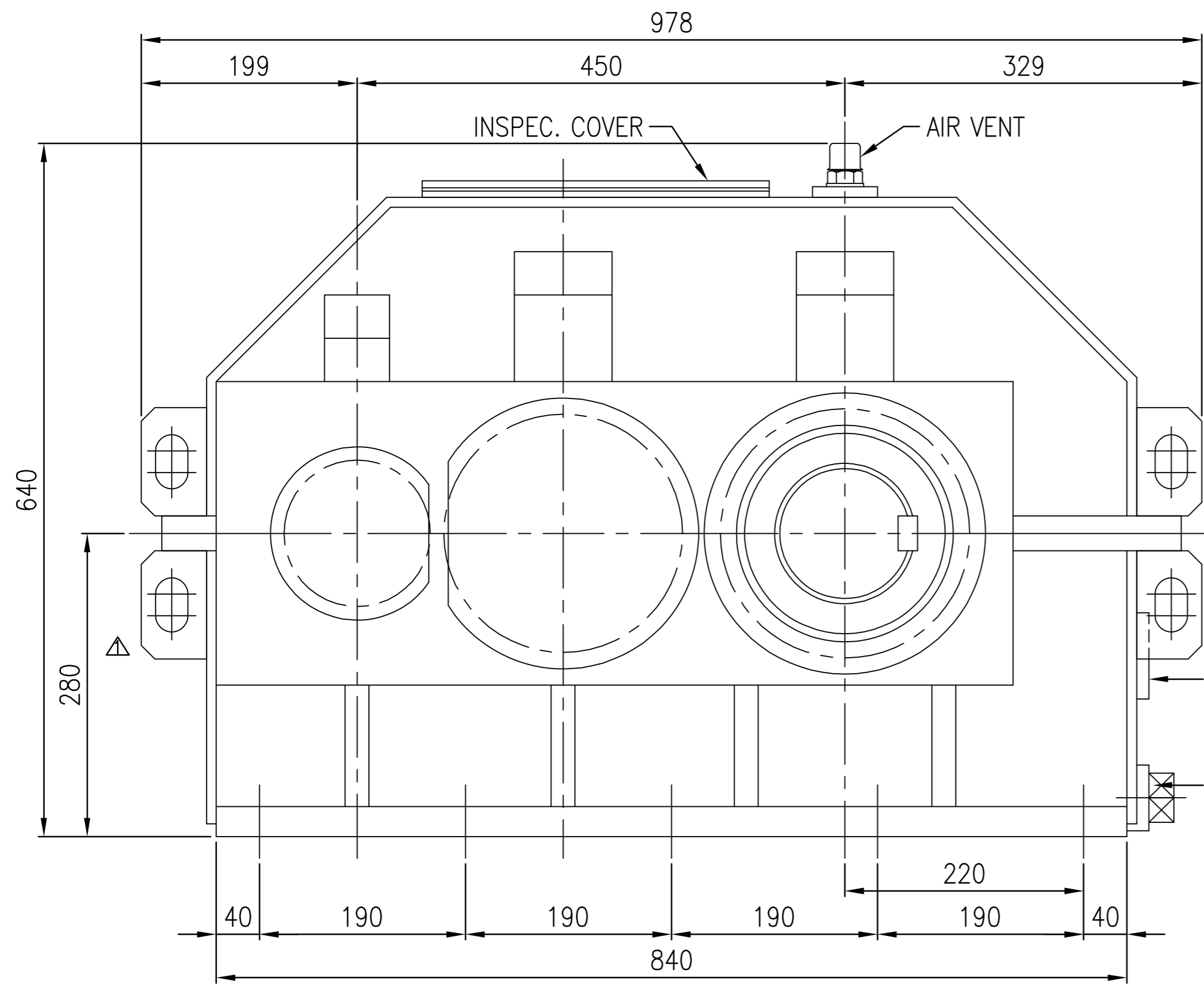


No.	NAME	MATERIAL	DWG/MATL No.	CODE	Q'TY	SIZE	WEIGHT	REMARK
-----	------	----------	--------------	------	------	------	--------	--------



No.		DATE	DESCRIPTION of REVISION	DESIGNED	CHECKED	REVIEWED	APPROVED	DATE	2013-09-26
△	2013.11.28.		CHANGED DIMENSION						
△	2013.09.26.		CHANGED LIFTING LUG						

FORM		DWG NAME		기어박스 외형도	
CE-14-0100-442		DIMENSION		EK1D000094	
2012.02.08		UNIT		mm	
		SCALE		1:4	
ITEM		REF. NO.		DSKEN535	
SHB26 (i=12.5~22.4)					