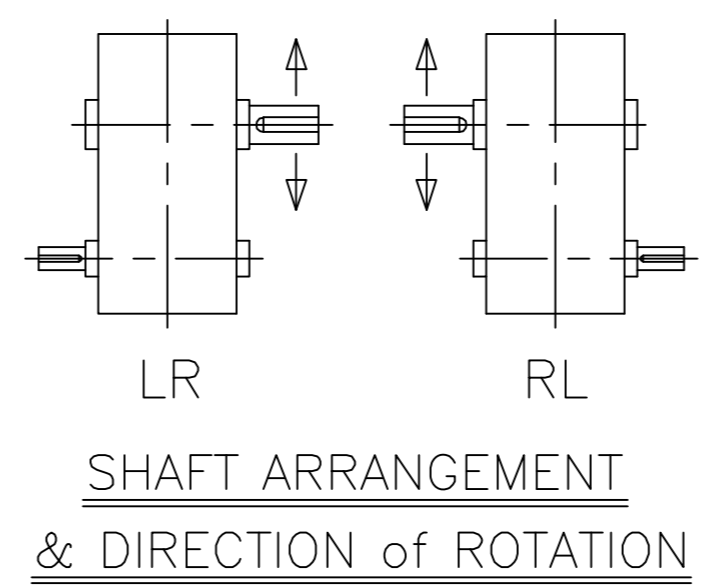
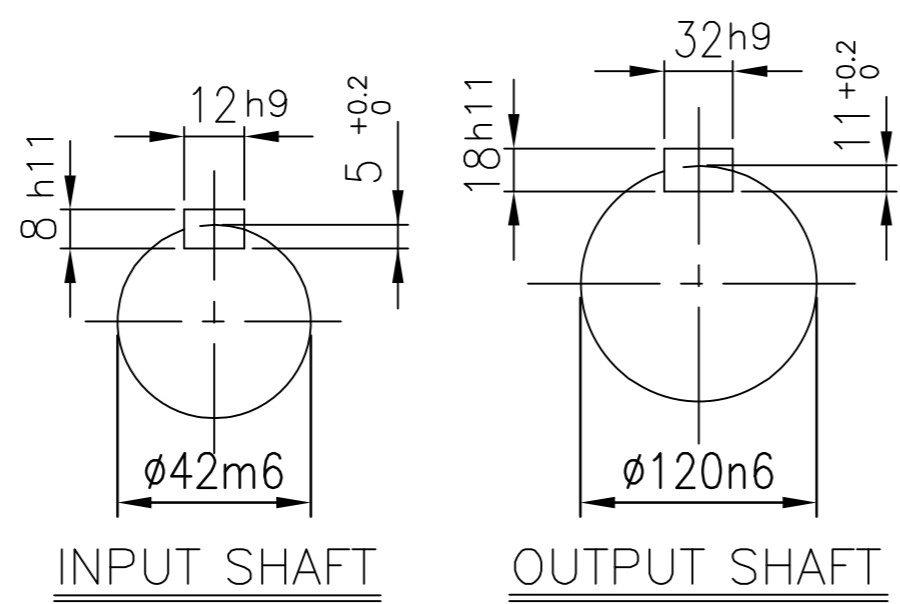
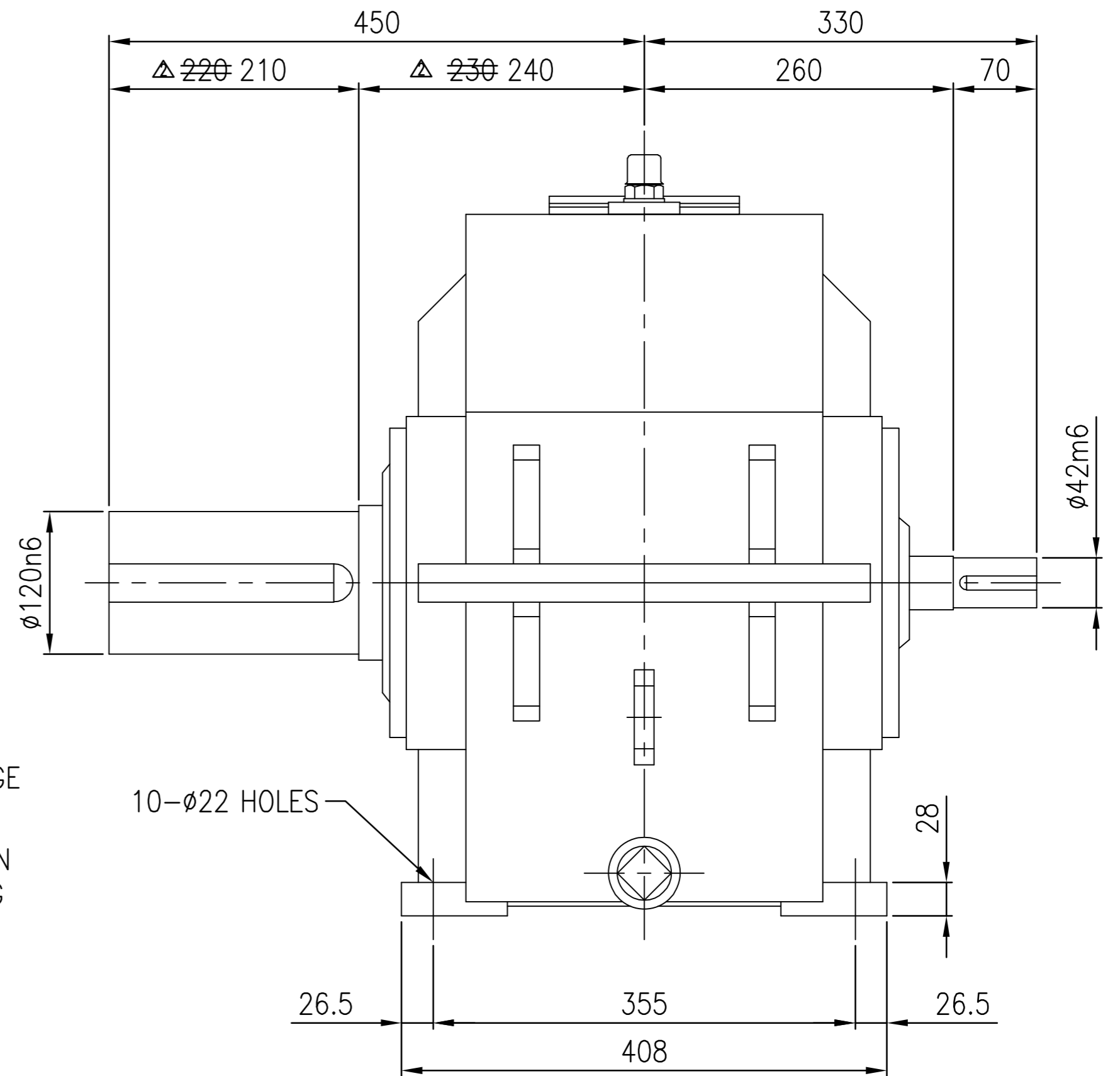
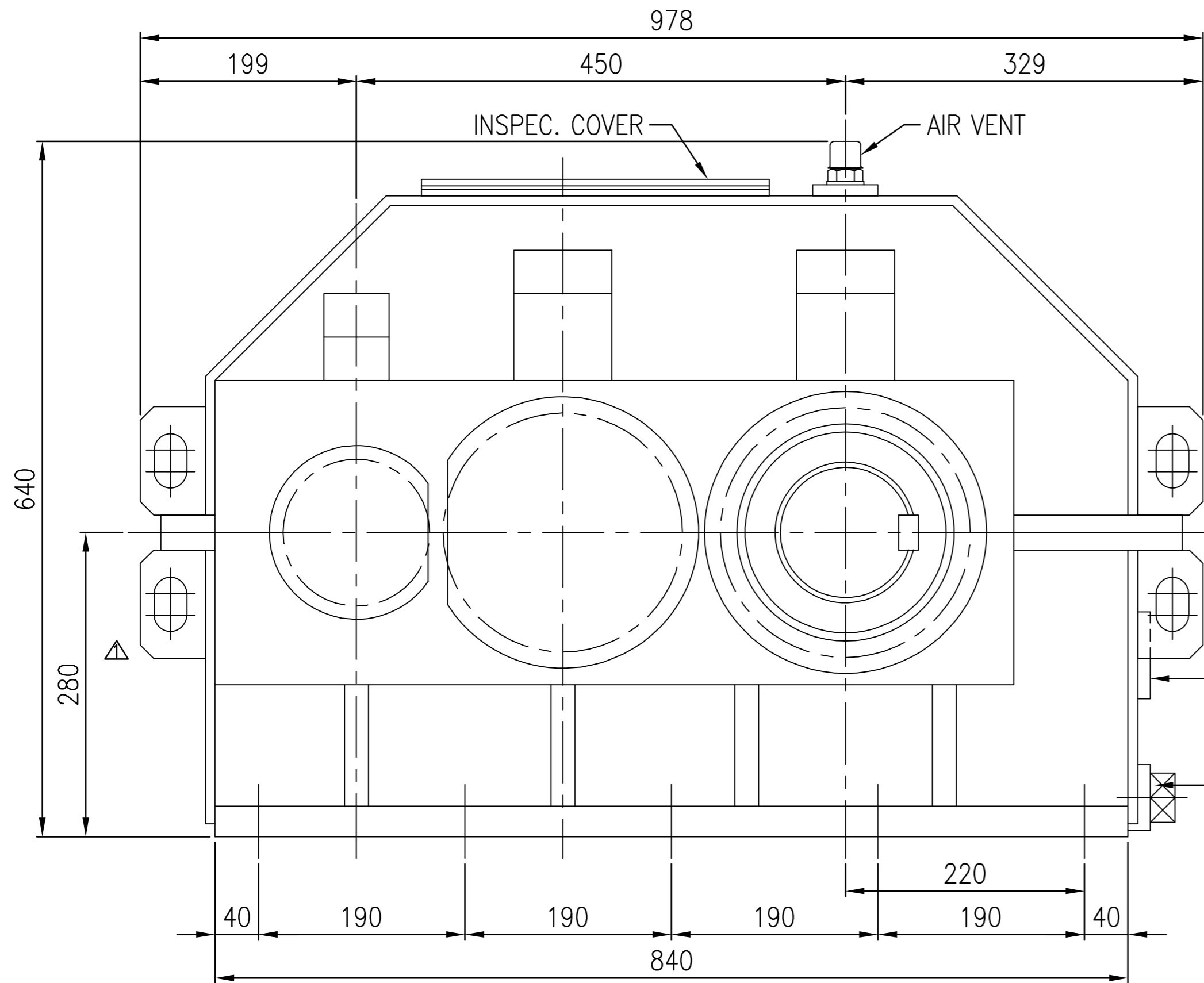


No.	NAME	MATERIAL	DWG/MATL No.	CODE	Q'TY	SIZE	WEIGHT	REMARK
-----	------	----------	--------------	------	------	------	--------	--------



DWG NAME		기어박스 외형도						
DIMENSION		DIMENSION						
2013.12.11.	CHANGED DIMENSION	DWG No. EK1D000095		UNIT	mm			
2013.09.26.	CHANGED LIFTING LUG	SCALE		1:4				
No.	DATE	DESCRIPTION of REVISION	DESIGNED	CHECKED	REVIEWED	APPROVED	DATE	2013-09-26
FORM CE-14-0100-4A2 2012.02.06		HYOSUNG		2013.12.11	2013.12.12	2013.12.12	REVISION NO.	02
ITEM		SHB26 (i=25~28)		박명균 서성민		김기동		PROJECTION
REF. NO.		DSKEN536						(A)