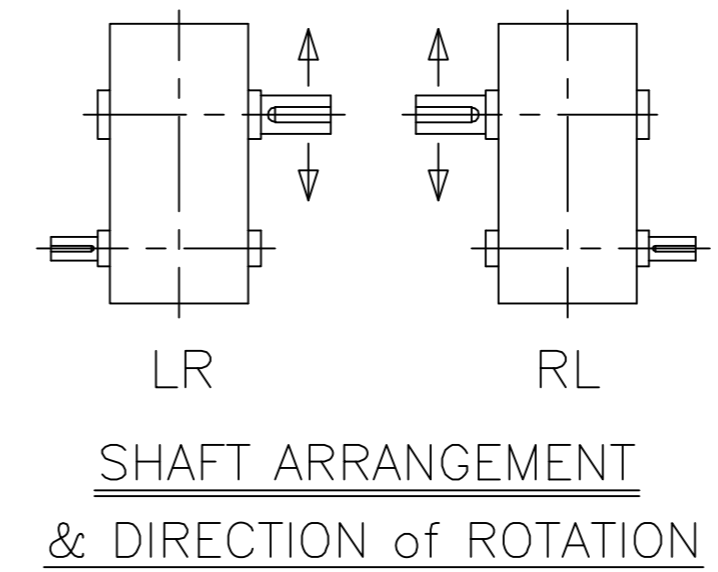
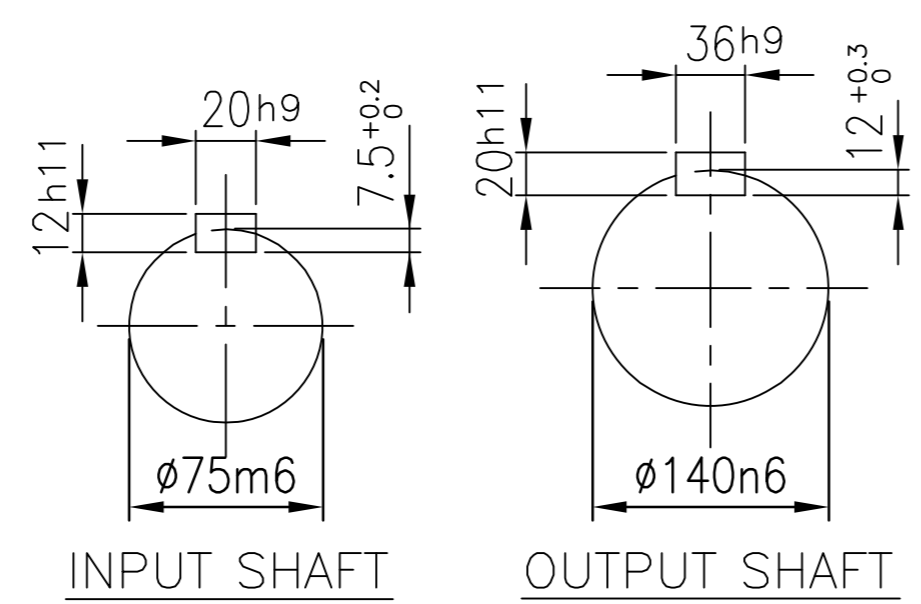
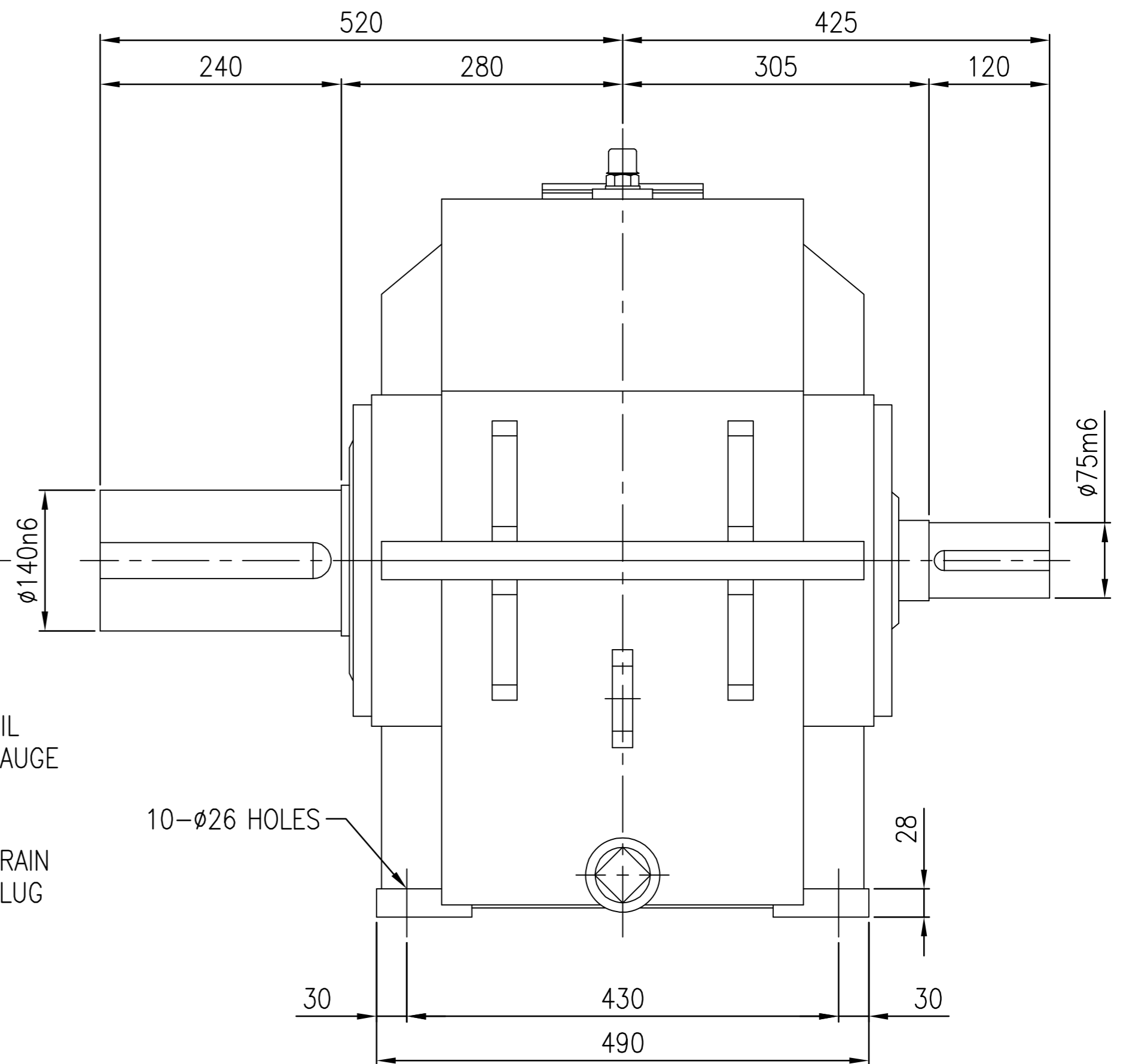
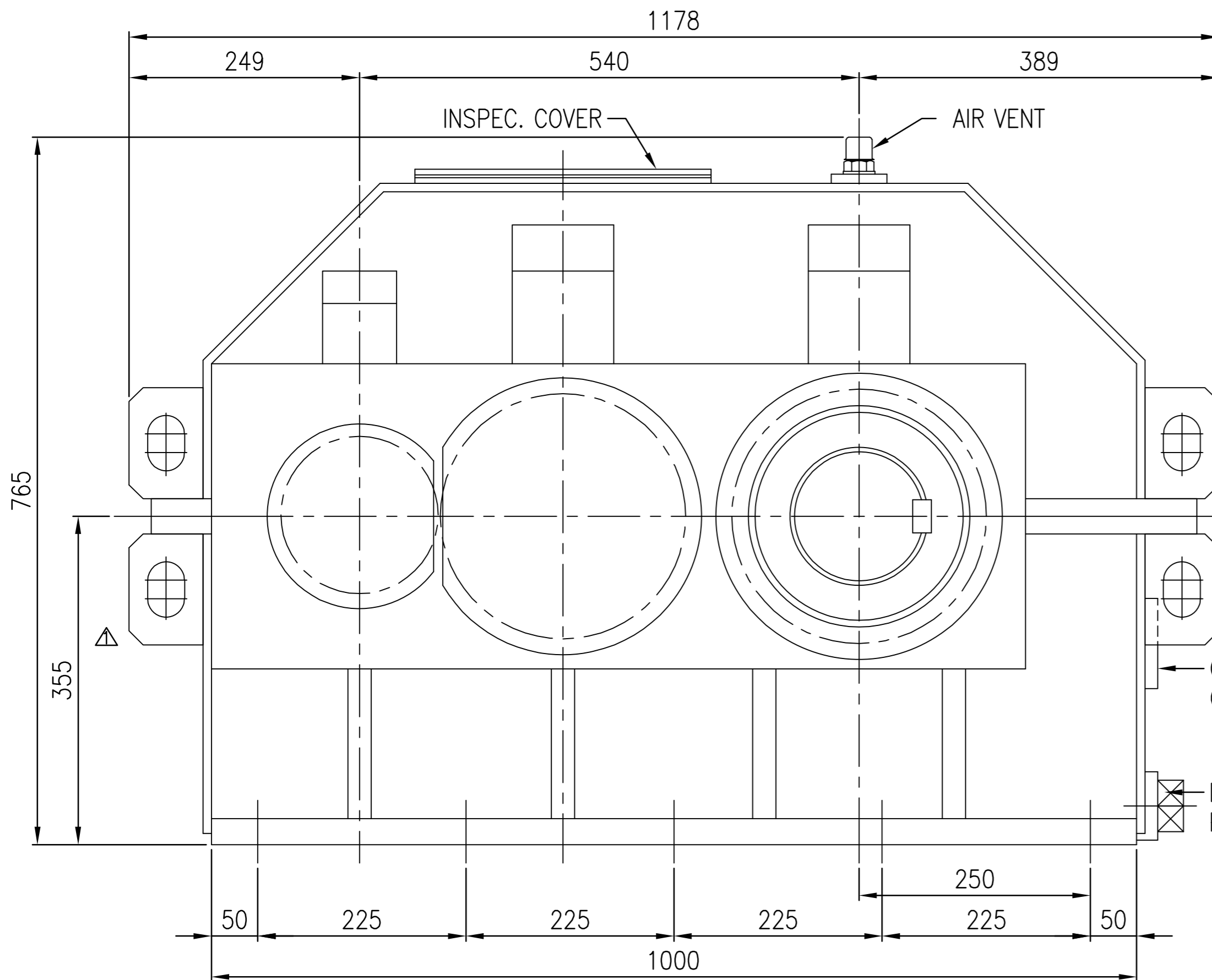


No.	NAME	MATERIAL	DWG/MATL No.	CODE	Q'TY	SIZE	WEIGHT	REMARK
-----	------	----------	--------------	------	------	------	--------	--------



DWG NAME		기어박스 외형도			
DIMENSION					
DWG No.		EK1D000096		UNIT	mm
SCALE		1:4.5			
No.	DATE	DESCRIPTION of REVISION	DESIGNED	CHECKED	REVIEWED
2013.09.26.		CHANGED LIFTING LUG			
APPROVED			DATE	2013-09-26	
REVISION NO.			01		
PROJECT			김기동		
ITEM		SHB32 (i=7.1~11.2)		REF. NO.	DSKEN537