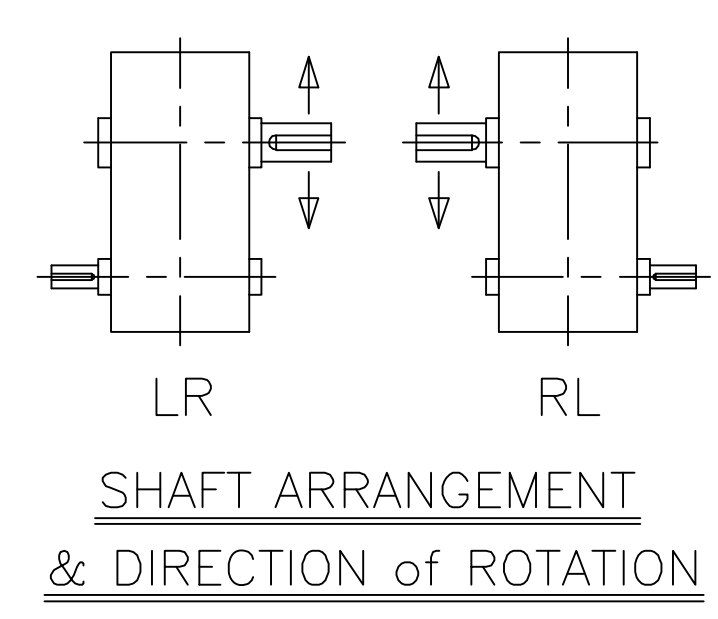
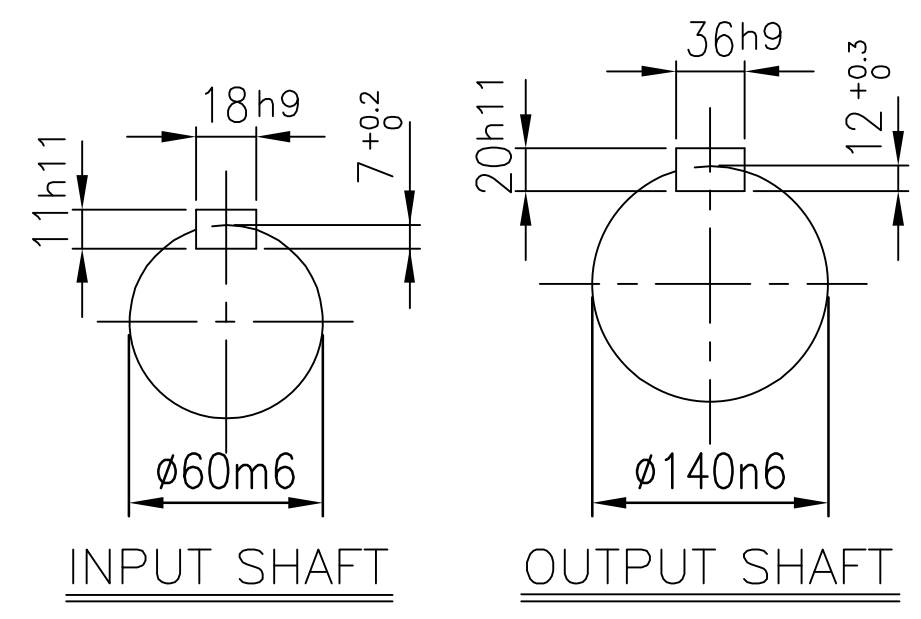
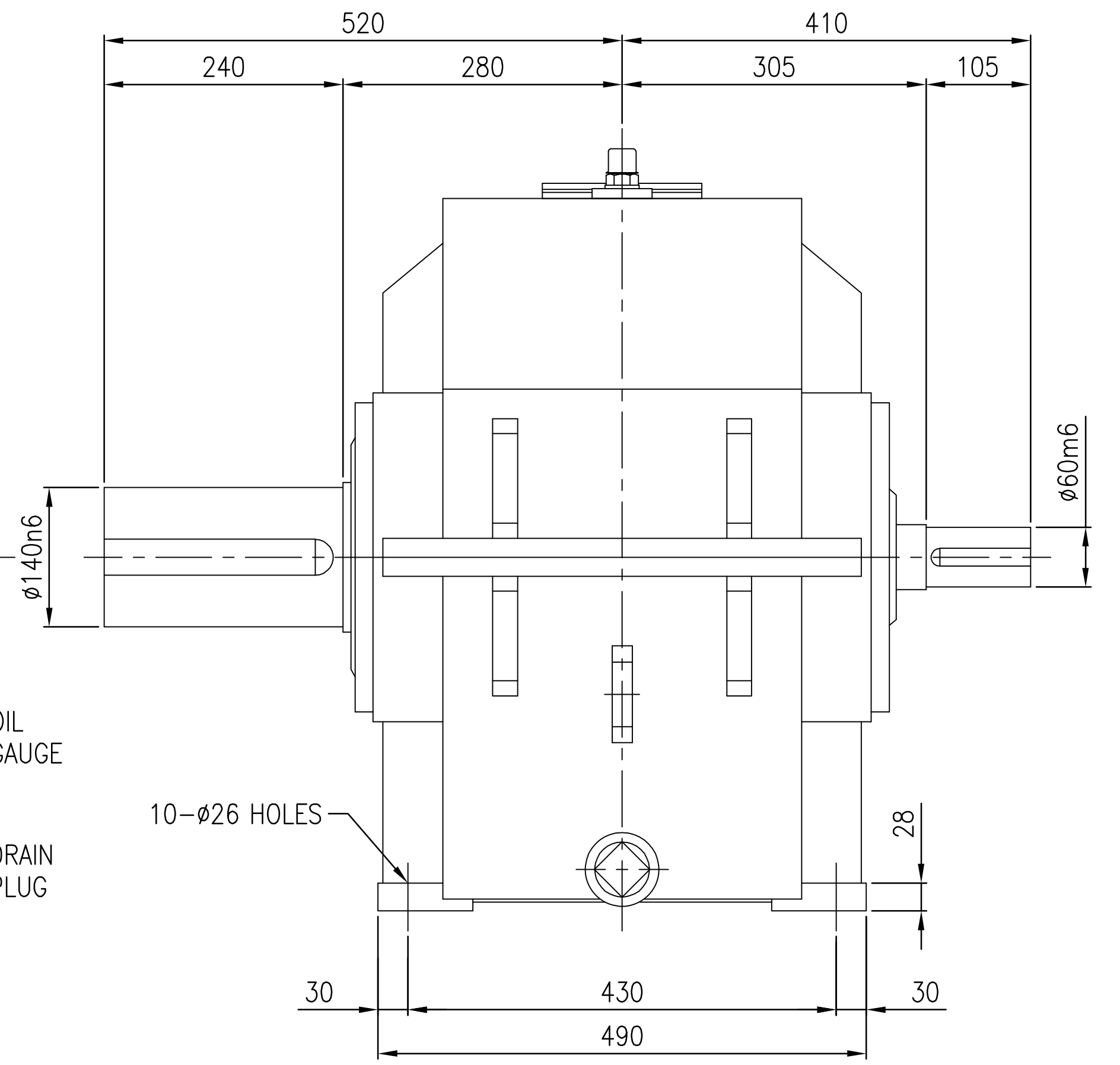
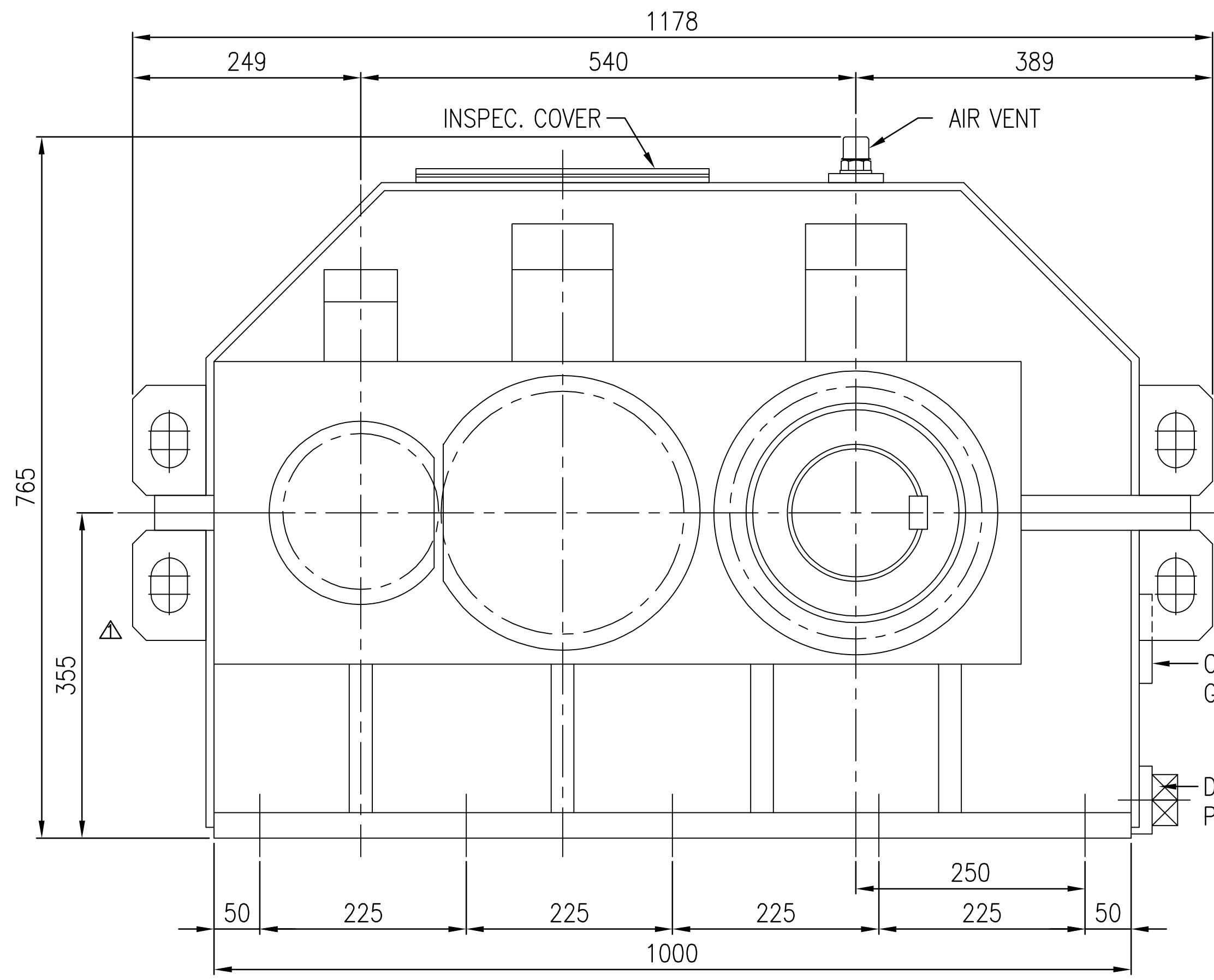


No.	NAME	MATERIAL	DWG/MATL No.	CODE	Q'TY	SIZE	WEIGHT	REMARK
-----	------	----------	--------------	------	------	------	--------	--------



DWG NAME		기어박스 외형도							
DIMENSION									
DWG No.		EK1DO00097		UNIT	mm				
SCALE		1:4.5							
No.	DATE	DESCRIPTION of REVISION	DESIGNED	CHECKED	REVIEWED	APPROVED	DATE	2013-09-26	
1	2013.09.26	CHANGED LIFTING LUG							
FORM		HYOSUNG		2013.10.24		2013.10.24		REVISION NO.	01
CE-14-0100-442		2012.02.08		박선향		서성민		PROJECTION	☉
ITEM		SHB32 (i=12.5~22.4)		REF. NO.		DSKEN538		(A)	