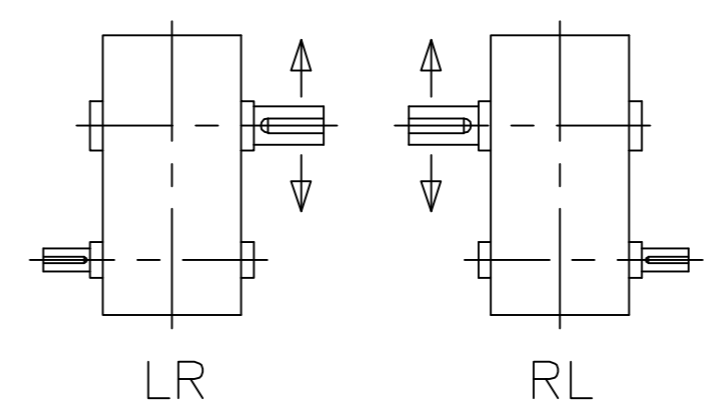
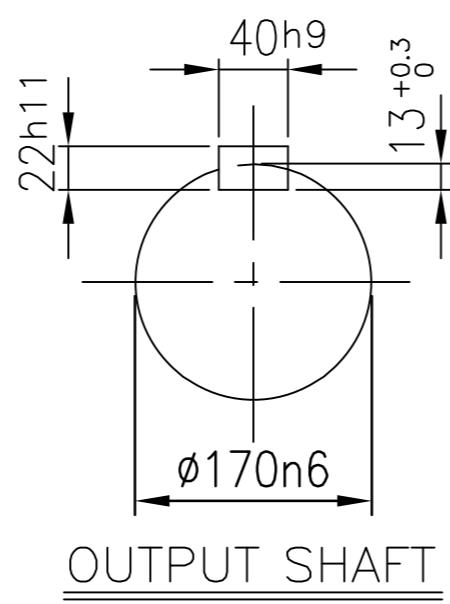
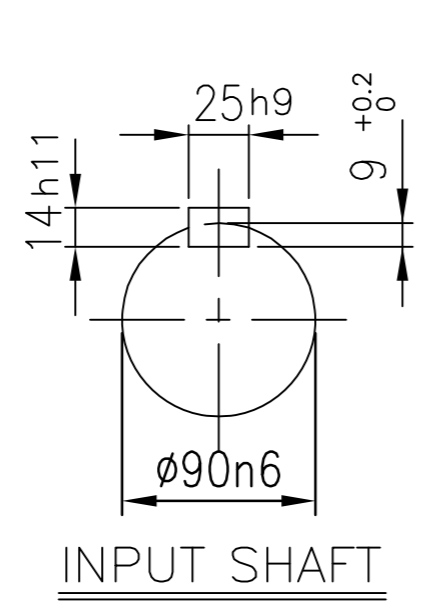
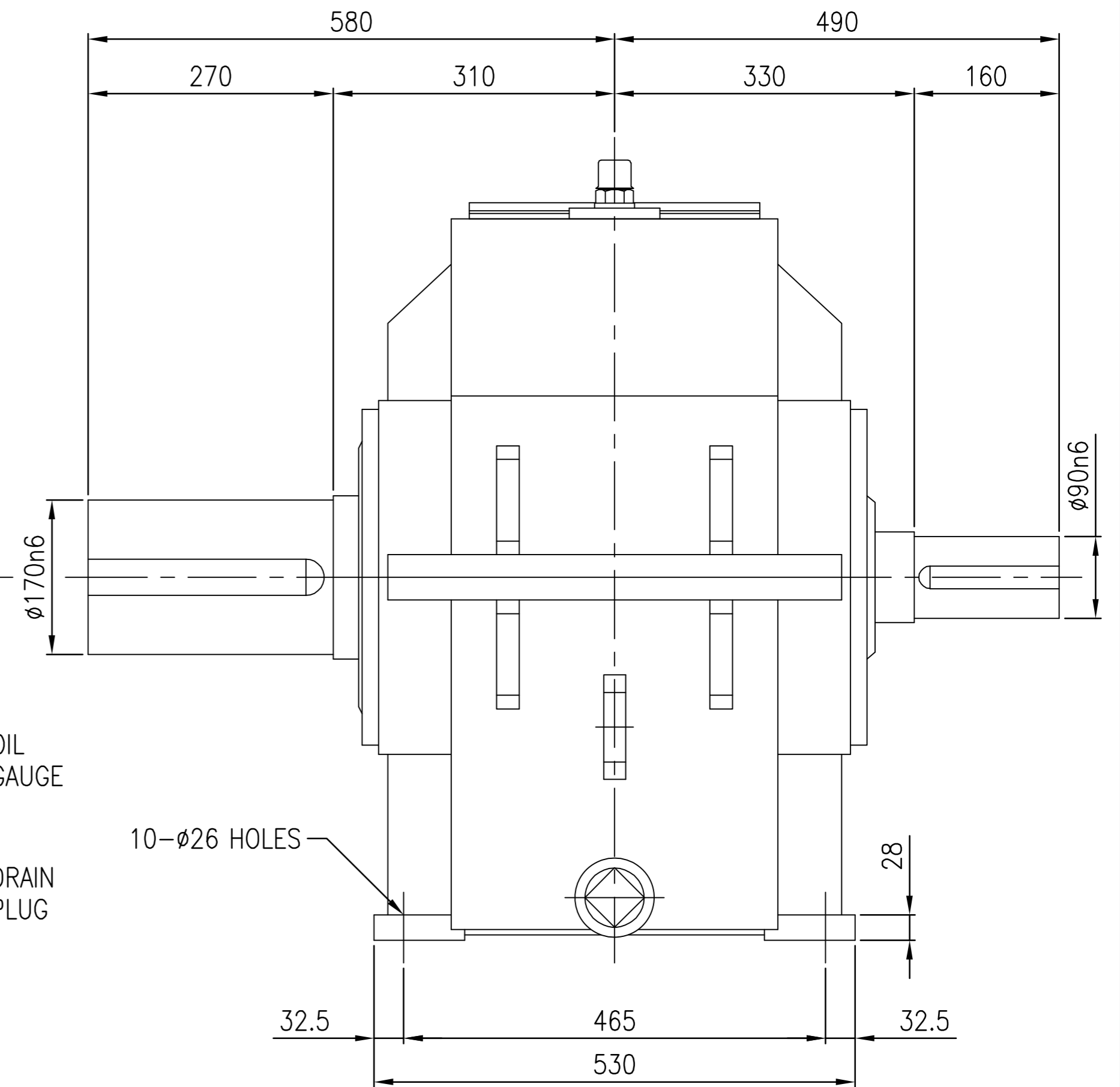
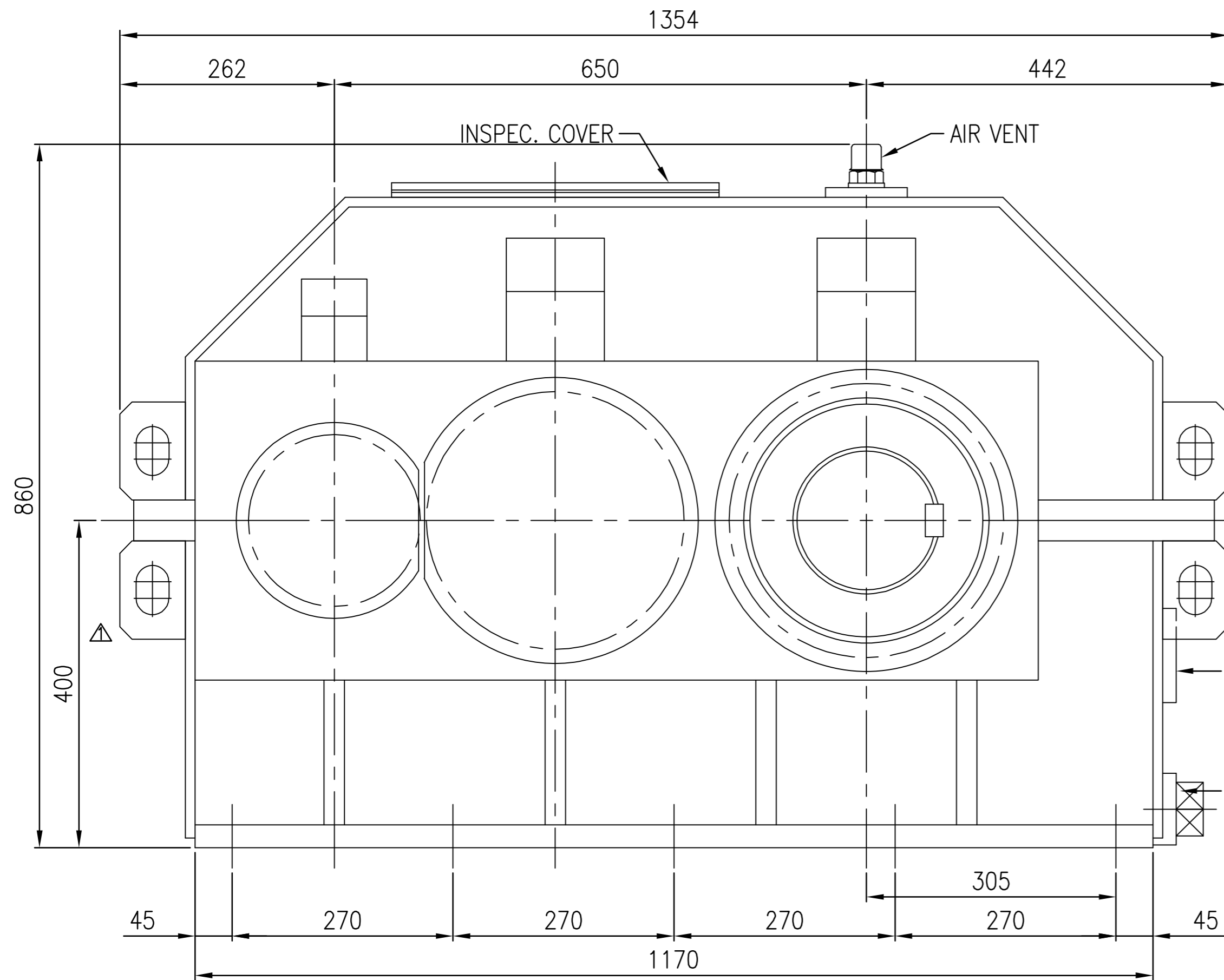


No.	NAME	MATERIAL	DWG/MATL No.	CODE	Q'TY	SIZE	WEIGHT	REMARK
-----	------	----------	--------------	------	------	------	--------	--------



DWG NAME		기어박스 외형도						
DIMENSION		DIMENSION						
No.	DATE	DESCRIPTION of REVISION	DESIGNED	CHECKED	REVIEWED	APPROVED	DATE	2013-09-26
FORM		HYOSUNG		2013.10.24		2013.10.24		REVISION NO. 01
ITEM		SHB38 (i=7.1~11.2)		서성민		김기동		PROJECTION
REF. NO.		DSKEN540						(A)