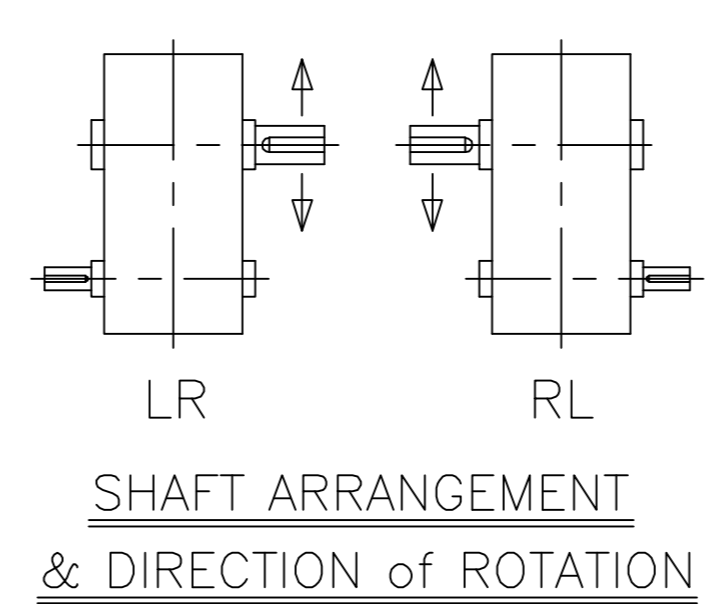
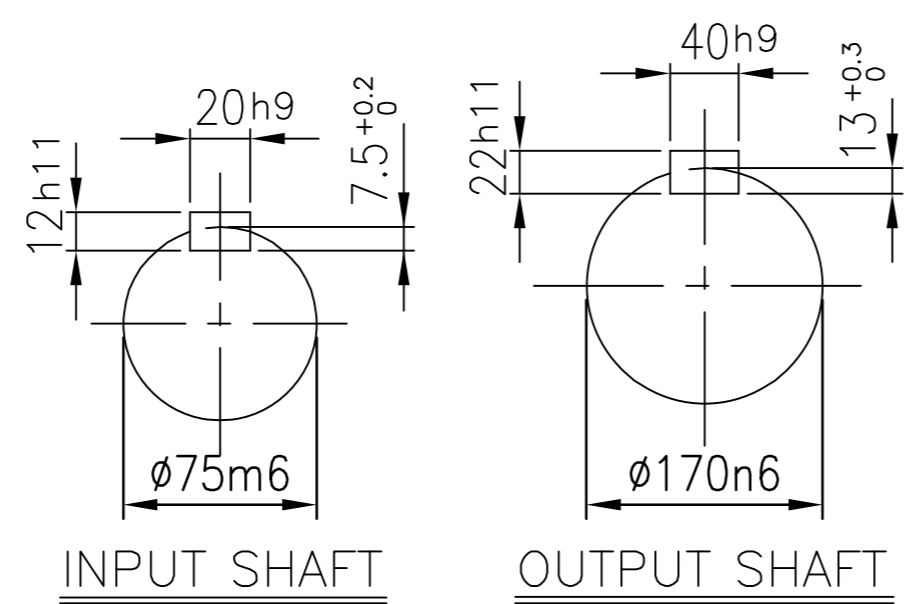
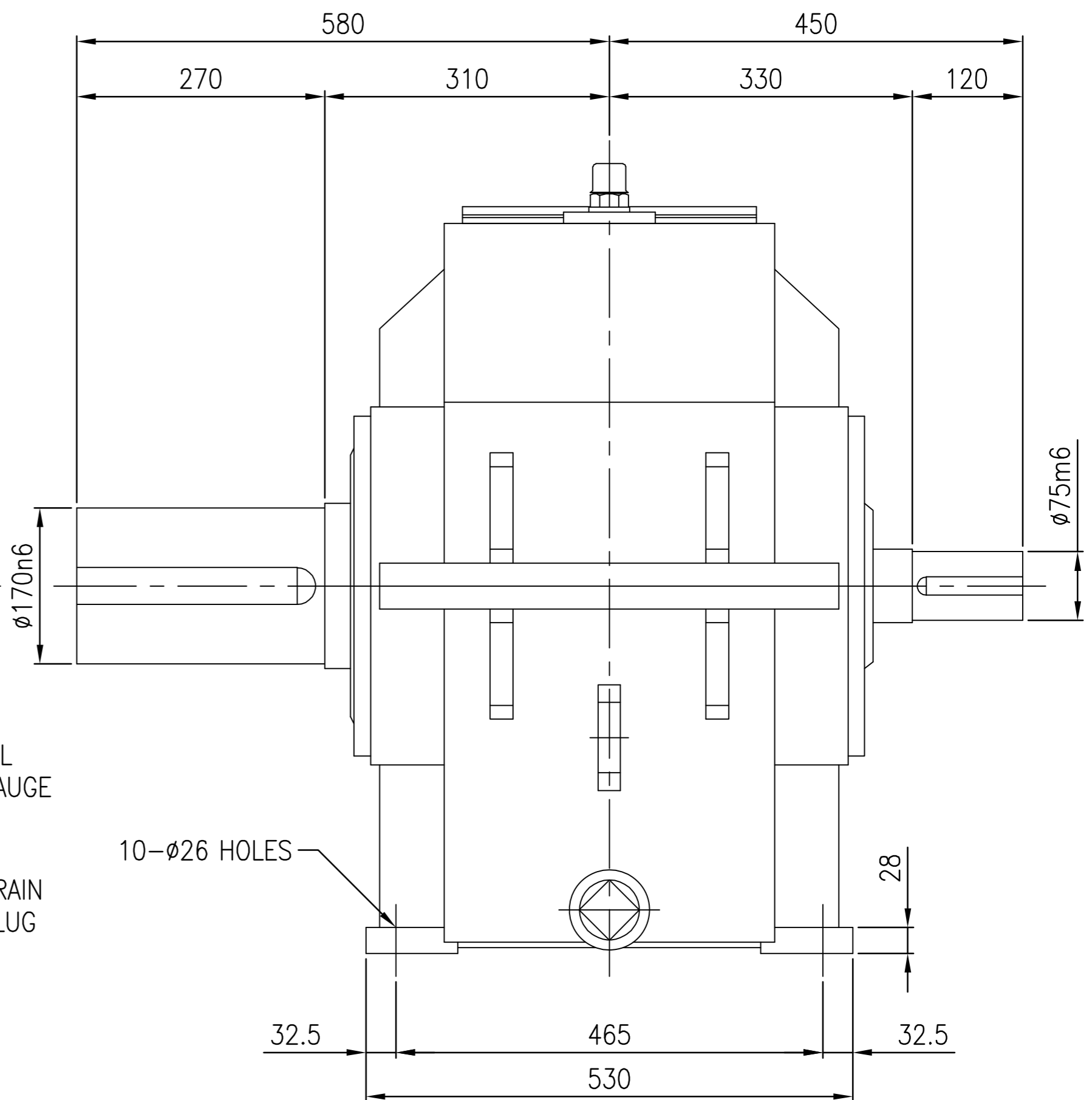
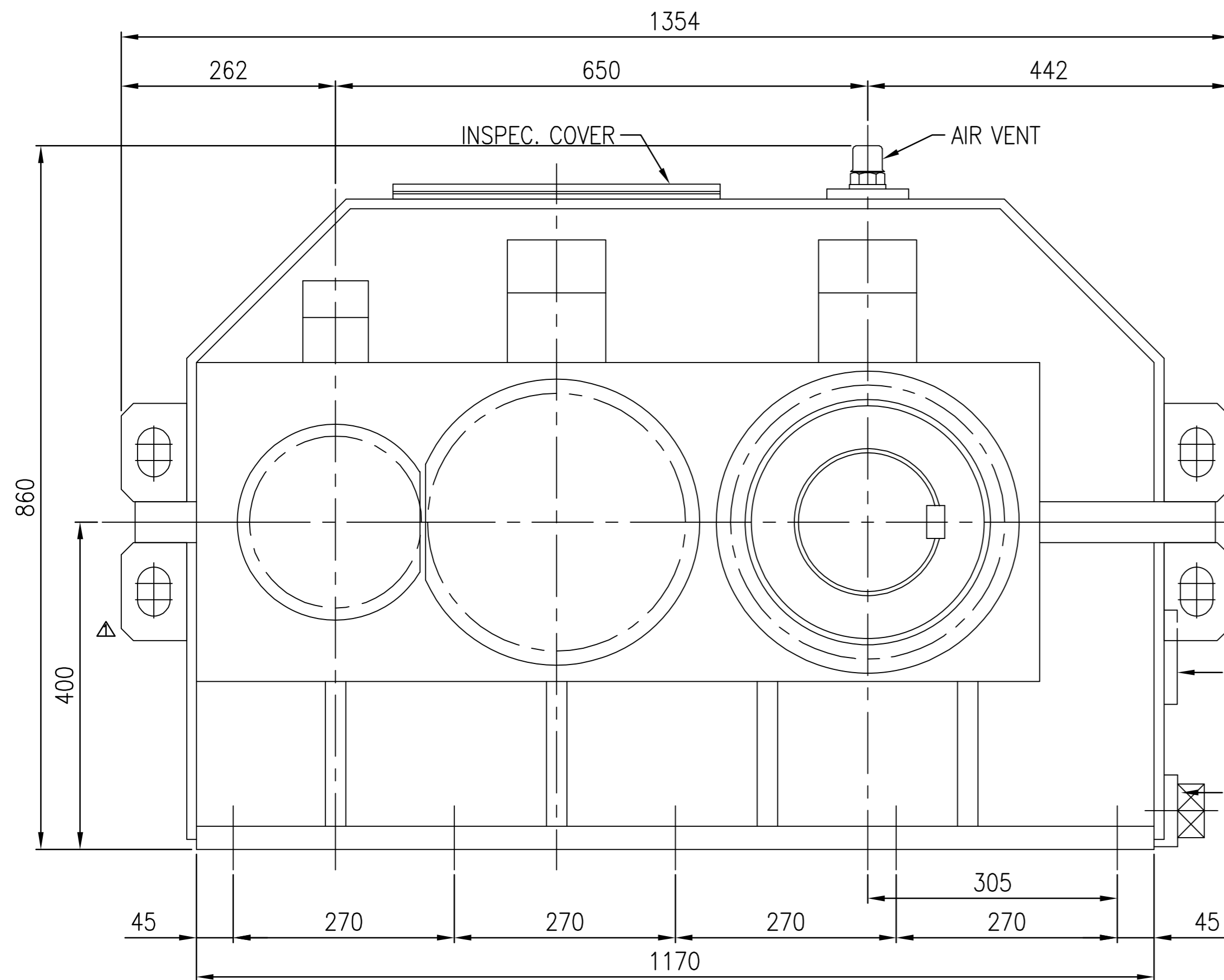


No.	NAME	MATERIAL	DWG/MATL No.	CODE	Q'TY	SIZE	WEIGHT	REMARK
-----	------	----------	--------------	------	------	------	--------	--------



DWG NAME		기어박스 외형도			
DIMENSION					
DWG No.		EKG1D000100		UNIT	mm
SCALE		1:5			
No.	DATE	DESCRIPTION of REVISION	DESIGNED	CHECKED	REVIEWED
2013.09.26.		CHANGED LIFTING LUG			
ITEM			APPROVED	DATE	2013-09-26
SHB38 (i=12.5~22.4)			2013.10.24	2013.10.24	2013.10.24
REF. NO.			DSKEN541		REVISION NO. 01
			서성민		김기동
			PROJECTION		01