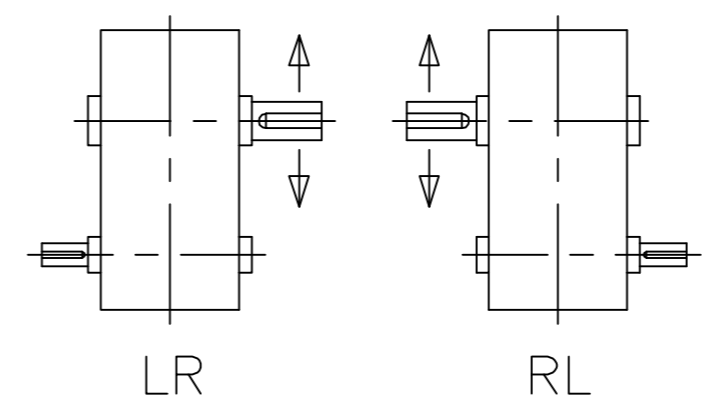
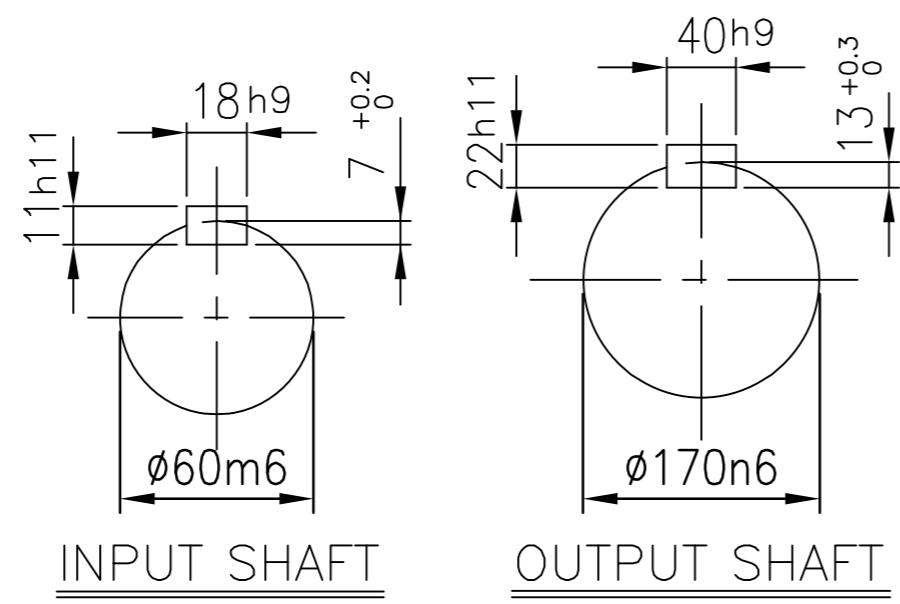
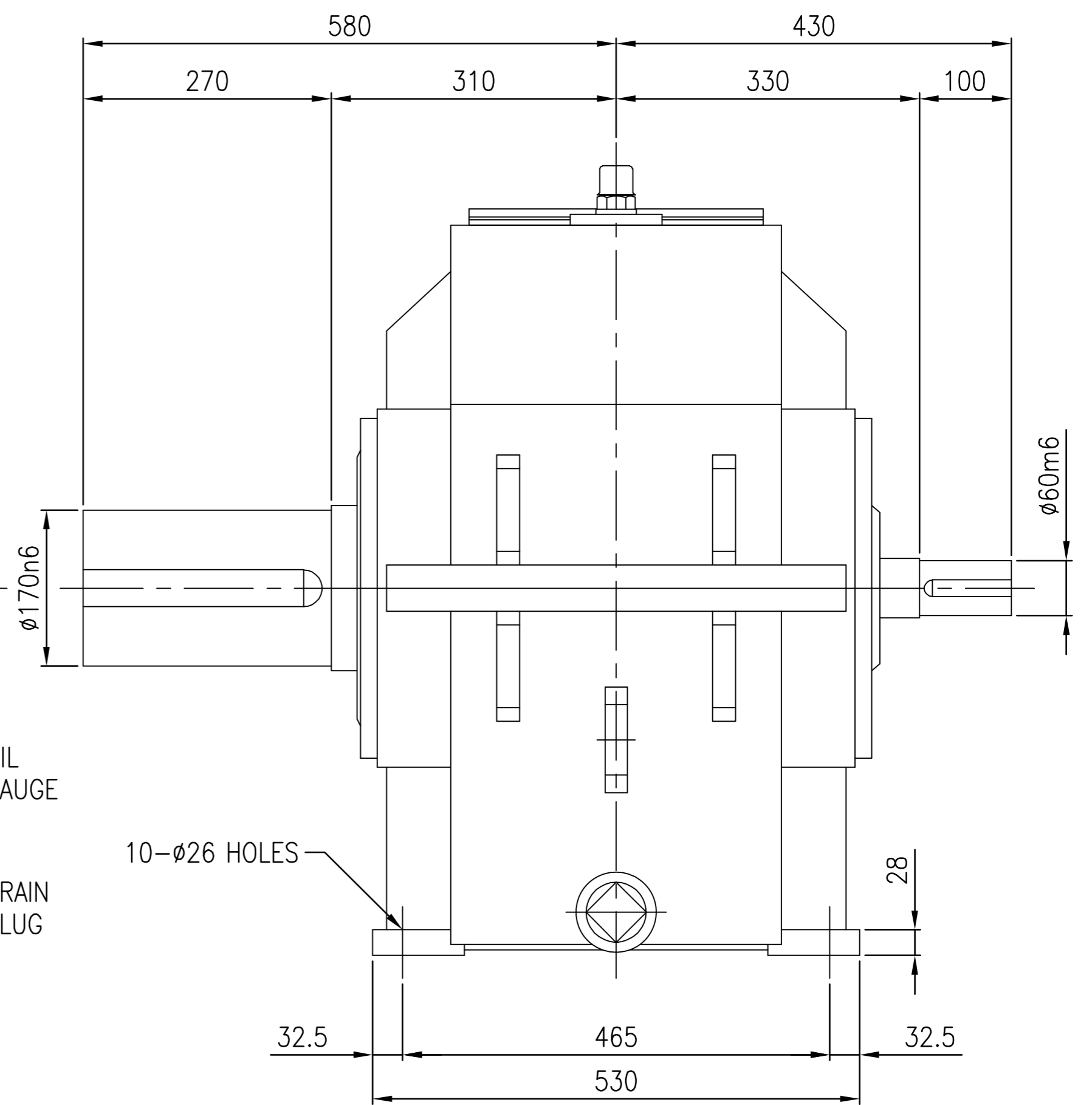
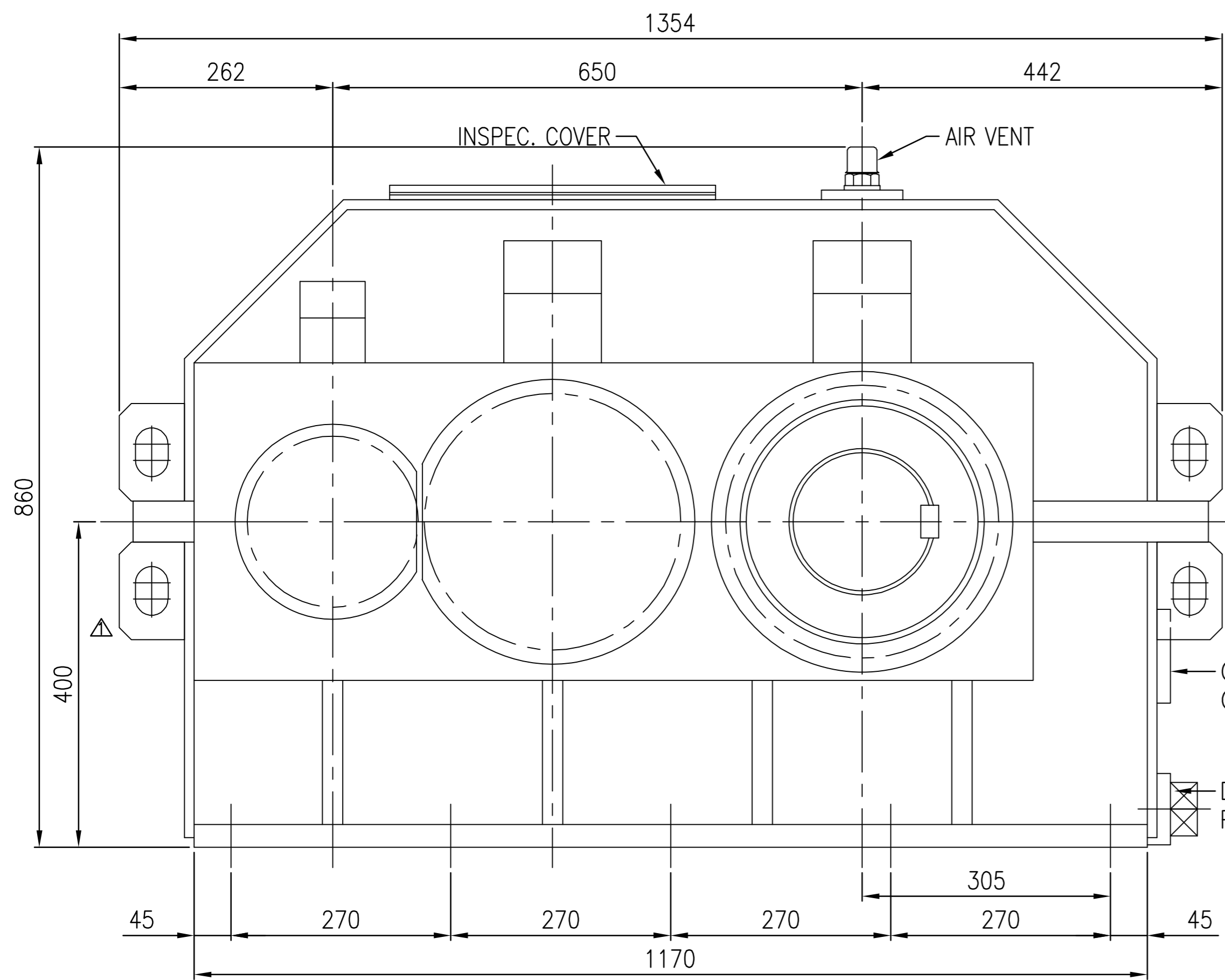


No.	NAME	MATERIAL	DWG/MATL No.	CODE	Q'TY	SIZE	WEIGHT	REMARK
-----	------	----------	--------------	------	------	------	--------	--------



DWG NAME		기어박스 외형도 DIMENSION			
2013.09.26	CHANGED LIFTING LUG	DWG No. <b>EK1D000101</b>		UNIT	mm
No.	DATE	DESIGNED	CHECKED	REVIEWED	APPROVED
FORM CE-14-0100-442 2012.02.08		2013.10.24 박선향	2013.10.24 서성민	2013.10.24 김기동	2013-09-26
ITEM		SHB38 (i=25~28)		REVISION NO.	01
REF. NO.		DSKEN542		PROJECTION	☉