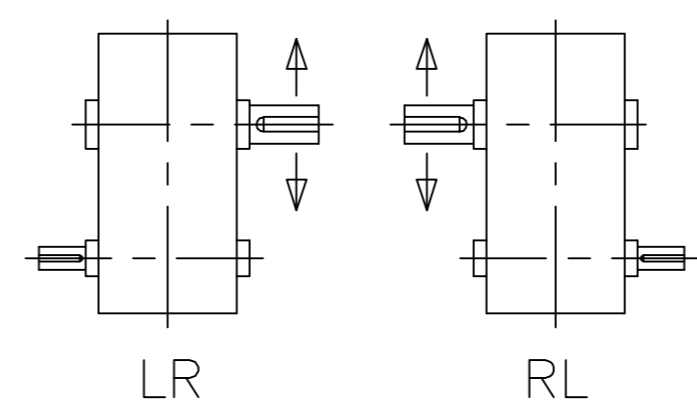
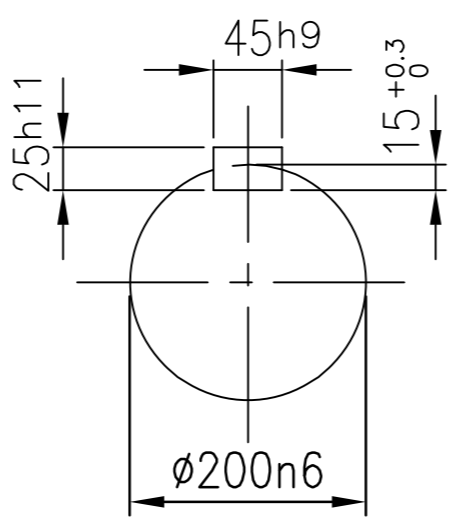
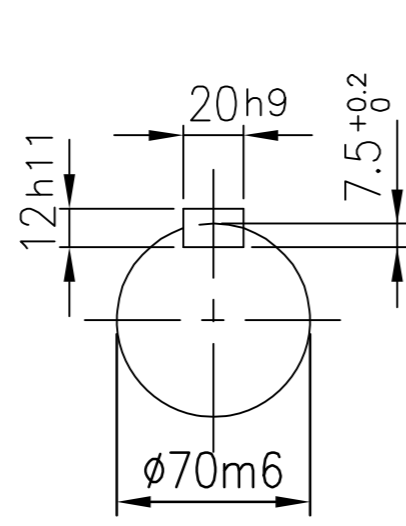
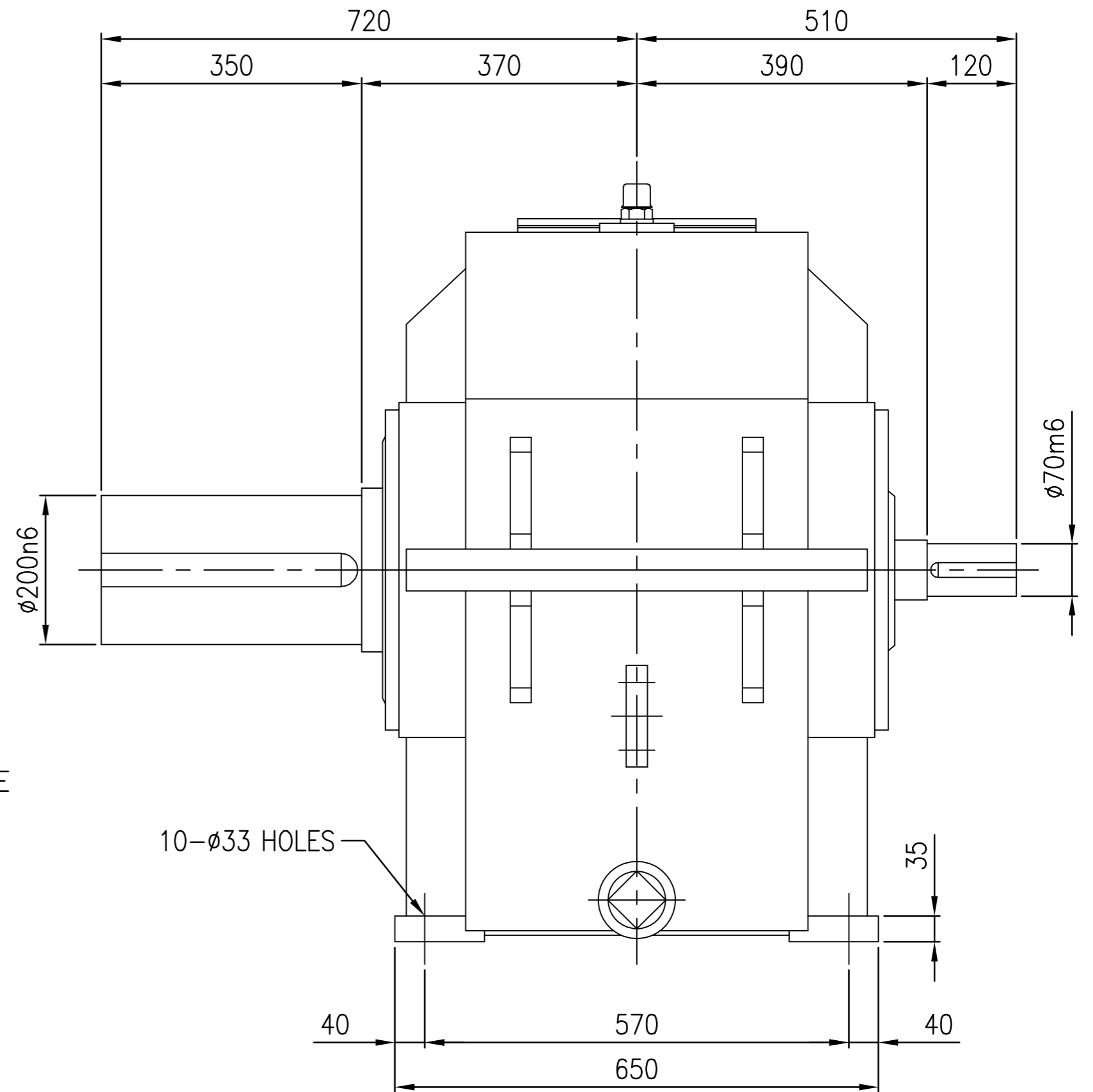
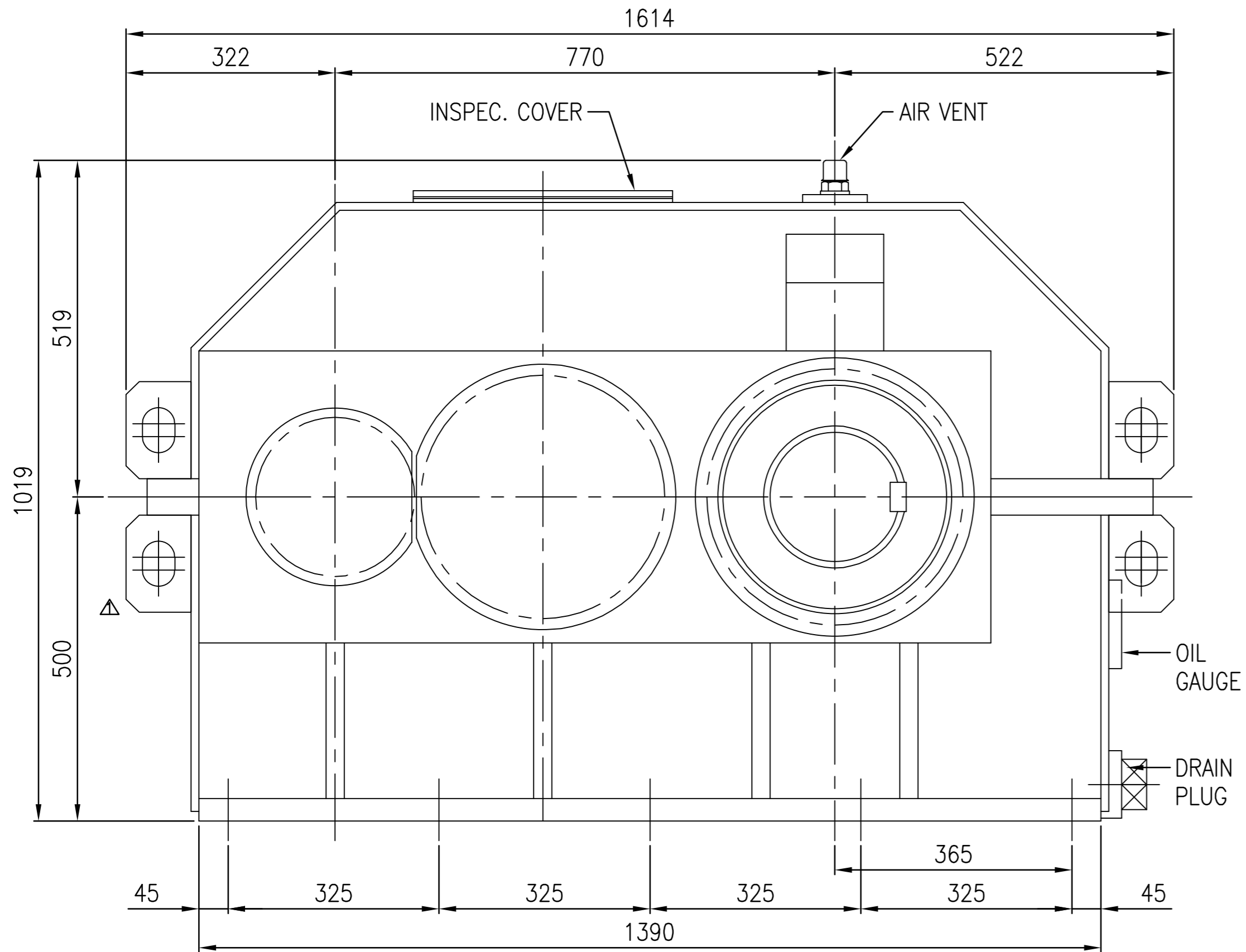


No.	NAME	MATERIAL	DWG/MATL No.	CODE	Q'TY	SIZE	WEIGHT	REMARK
-----	------	----------	--------------	------	------	------	--------	--------



DWG NAME		기어박스 외형도 DIMENSION			
2013.09.26. CHANGED LIFTING LUG		DWG No. <b>EK1D000104</b>		UNIT	mm
No. DATE		DESIGNED	CHECKED	REVIEWED	APPROVED
FORM CE-14-0100-442 2012.02.06		2013.10.24 박선향	2013.10.24 서성민	2013.10.24 김기동	DATE 2013-09-26
ITEM SHB45 (i=25~28)		REF. NO. DSKEN545		REVISION NO. 01	PROJECTION