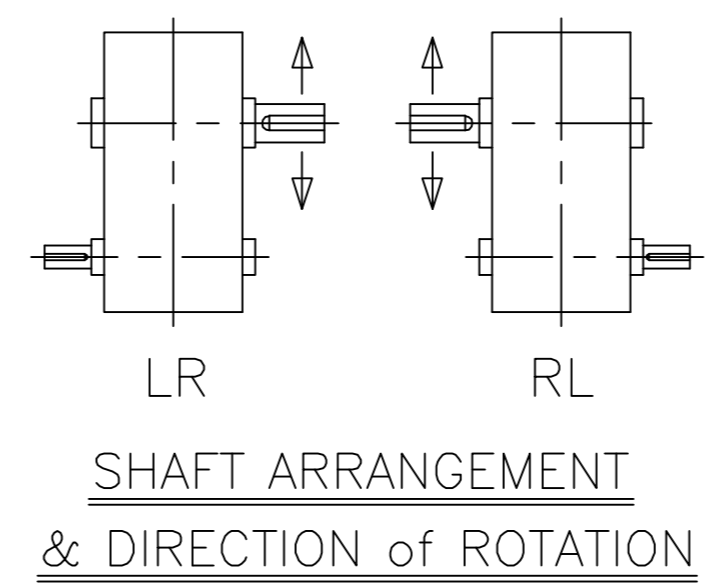
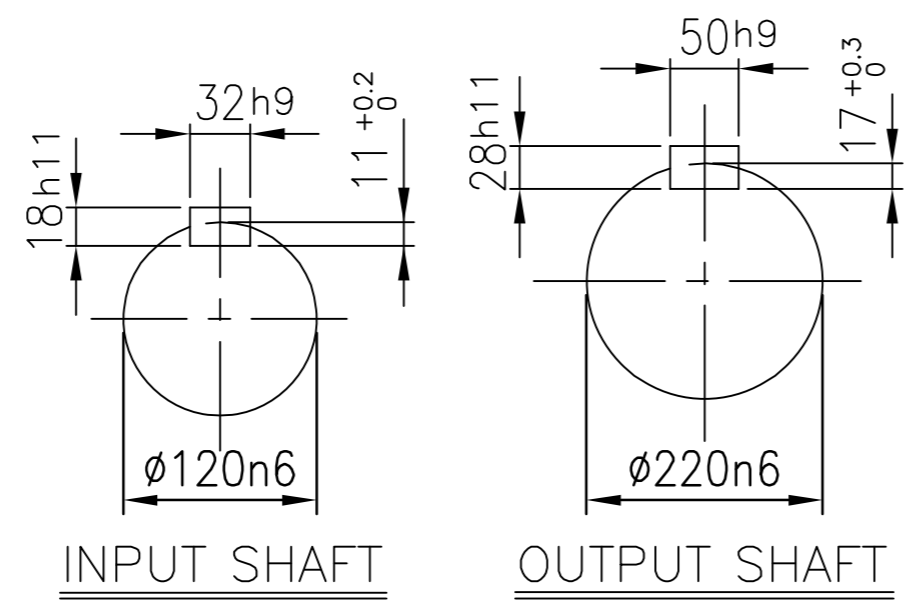
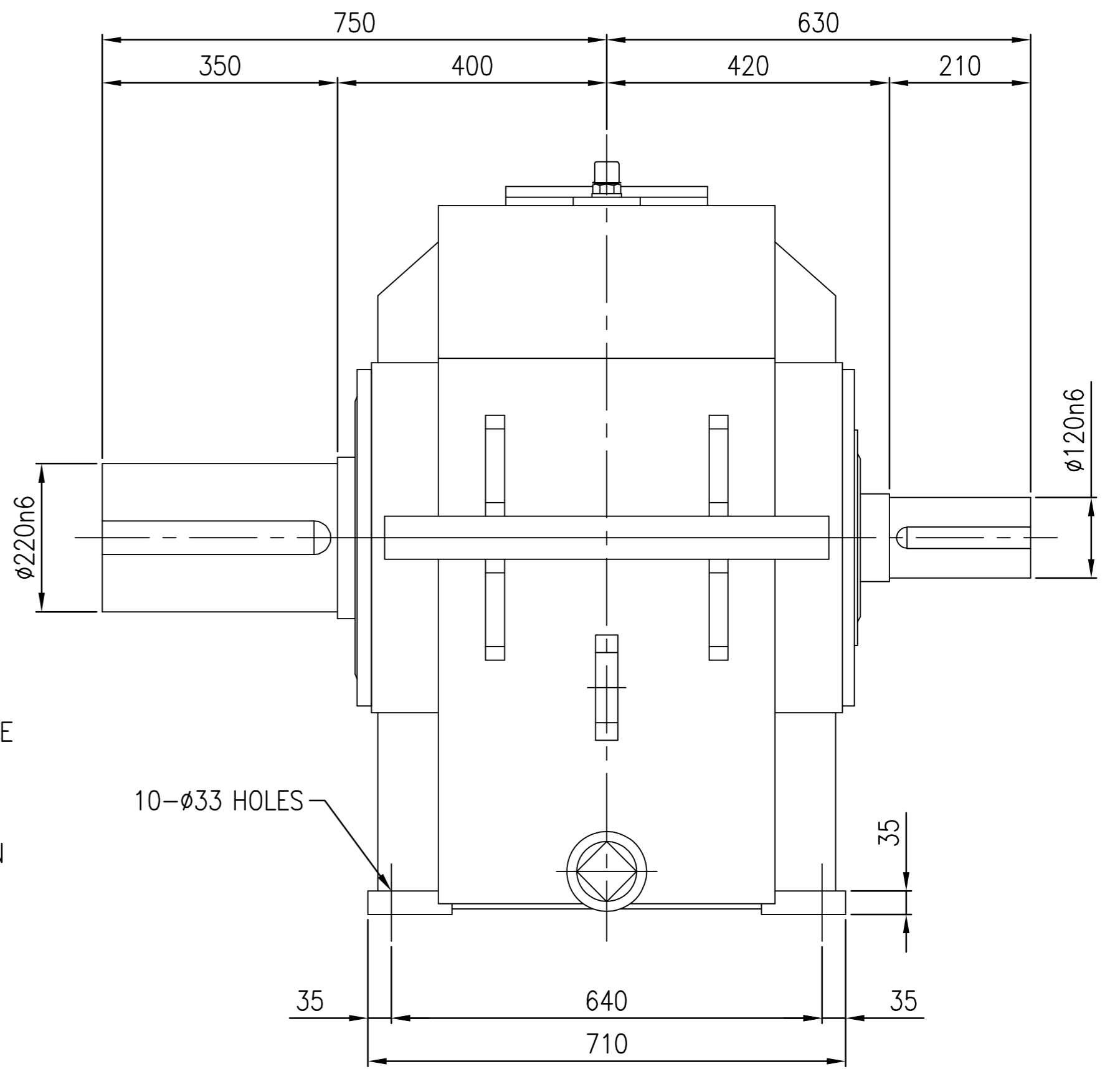
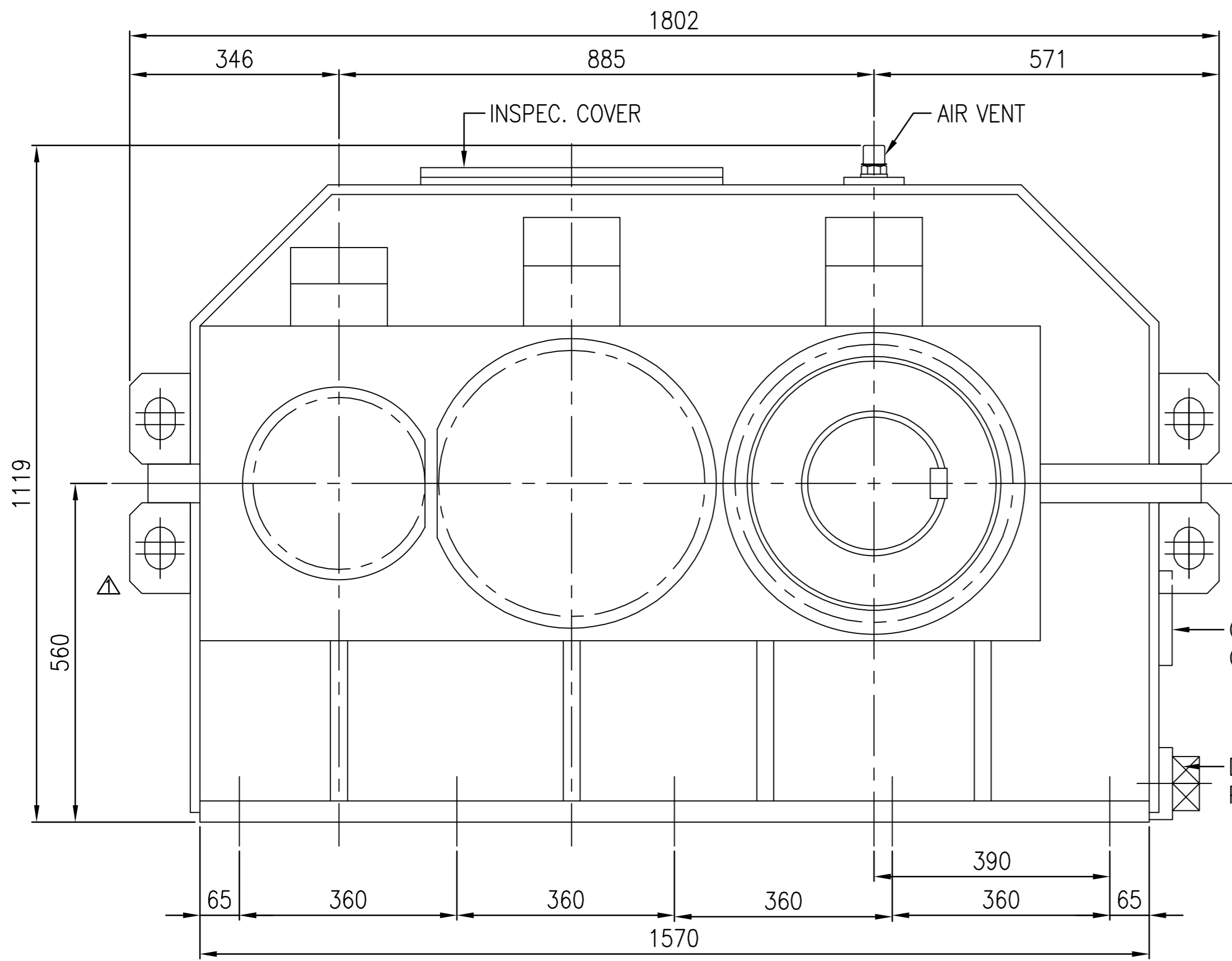


No.	NAME	MATERIAL	DWG/MATL No.	CODE	Q'TY	SIZE	WEIGHT	REMARK
-----	------	----------	--------------	------	------	------	--------	--------



DWG NAME		기어박스 외형도			
DIMENSION		DIMENSION			
2013.09.26	CHANGED LIFTING LUG	EKG1D000105		UNIT	mm
No.	DATE	DESIGNED	CHECKED	REVIEWED	APPROVED
2013.10.24	박선희	2013.10.24	서성민	2013.10.24	김기동
FORM CE-14-0100-4x2 2012.02.08		HYOSUNG		REVISION NO.	01
ITEM SHB50 (i=7.1~11.2)		REF. NO.		DSKEN546	