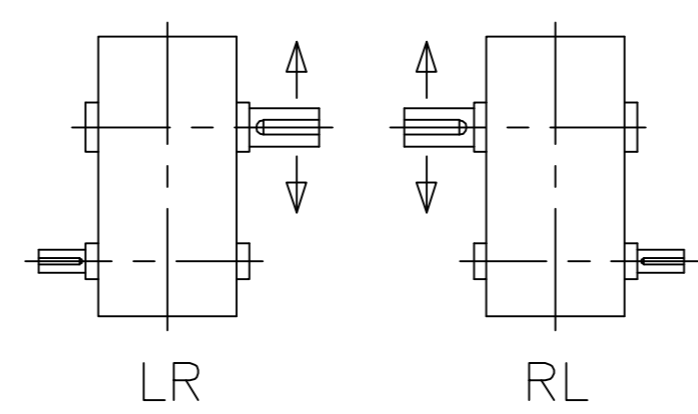
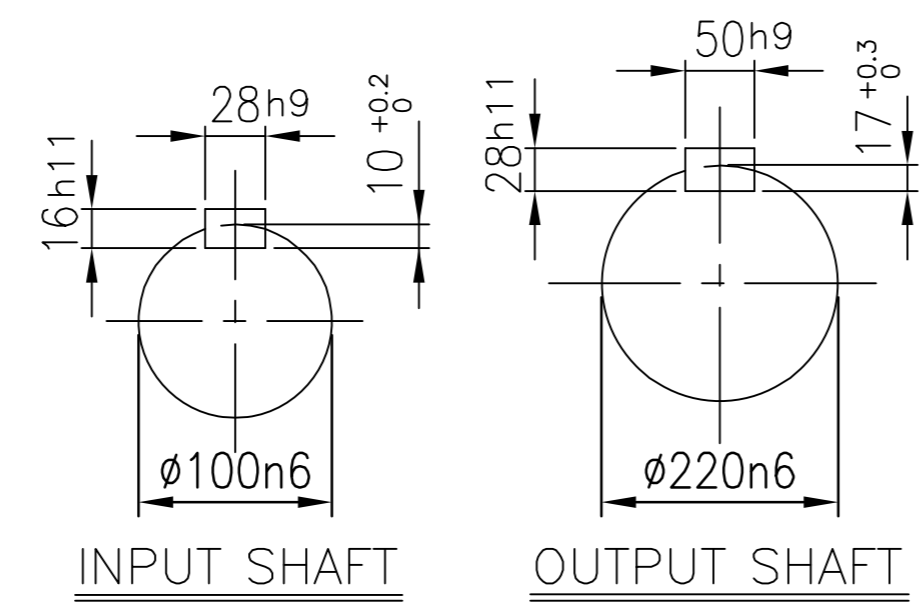
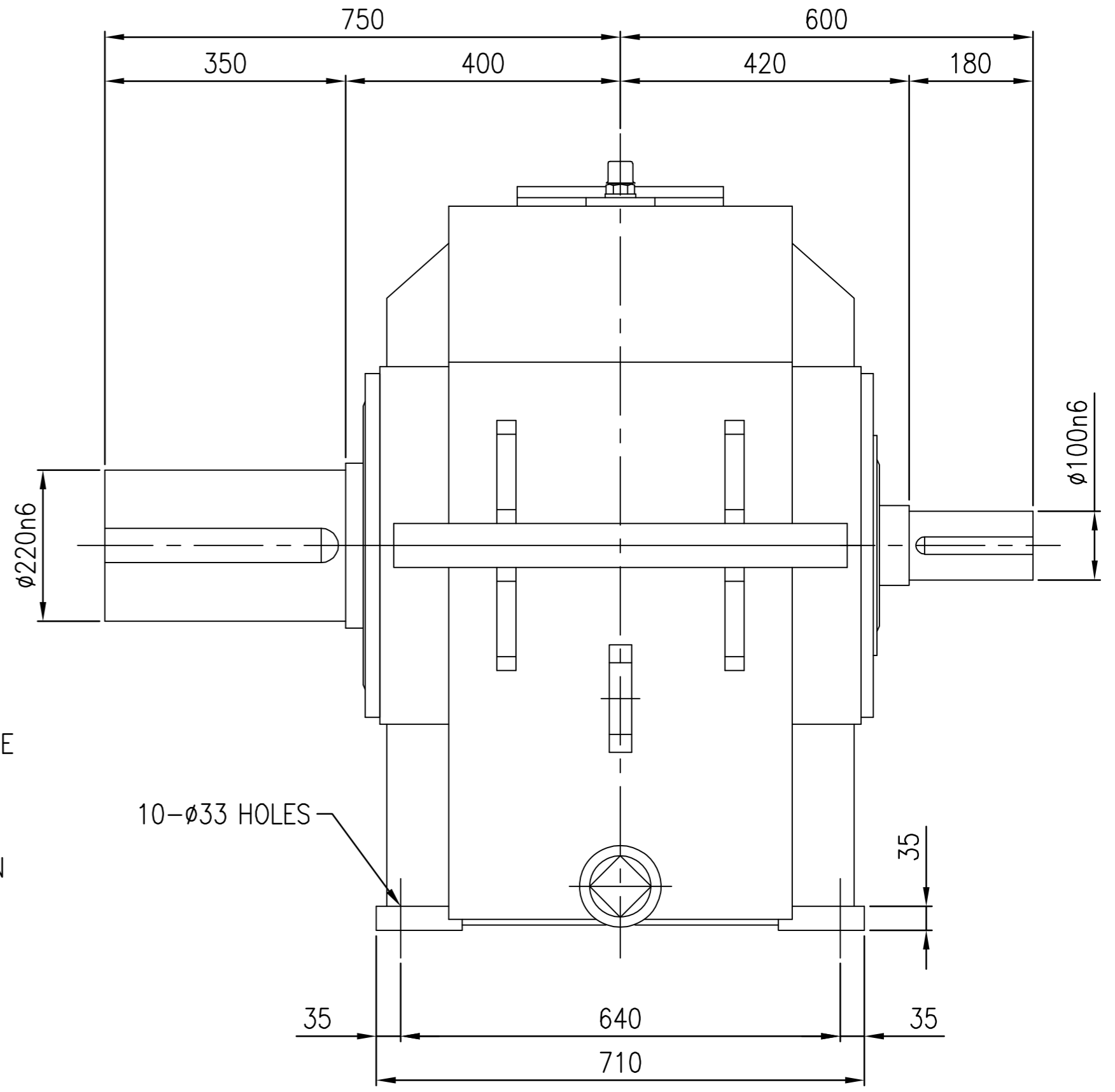
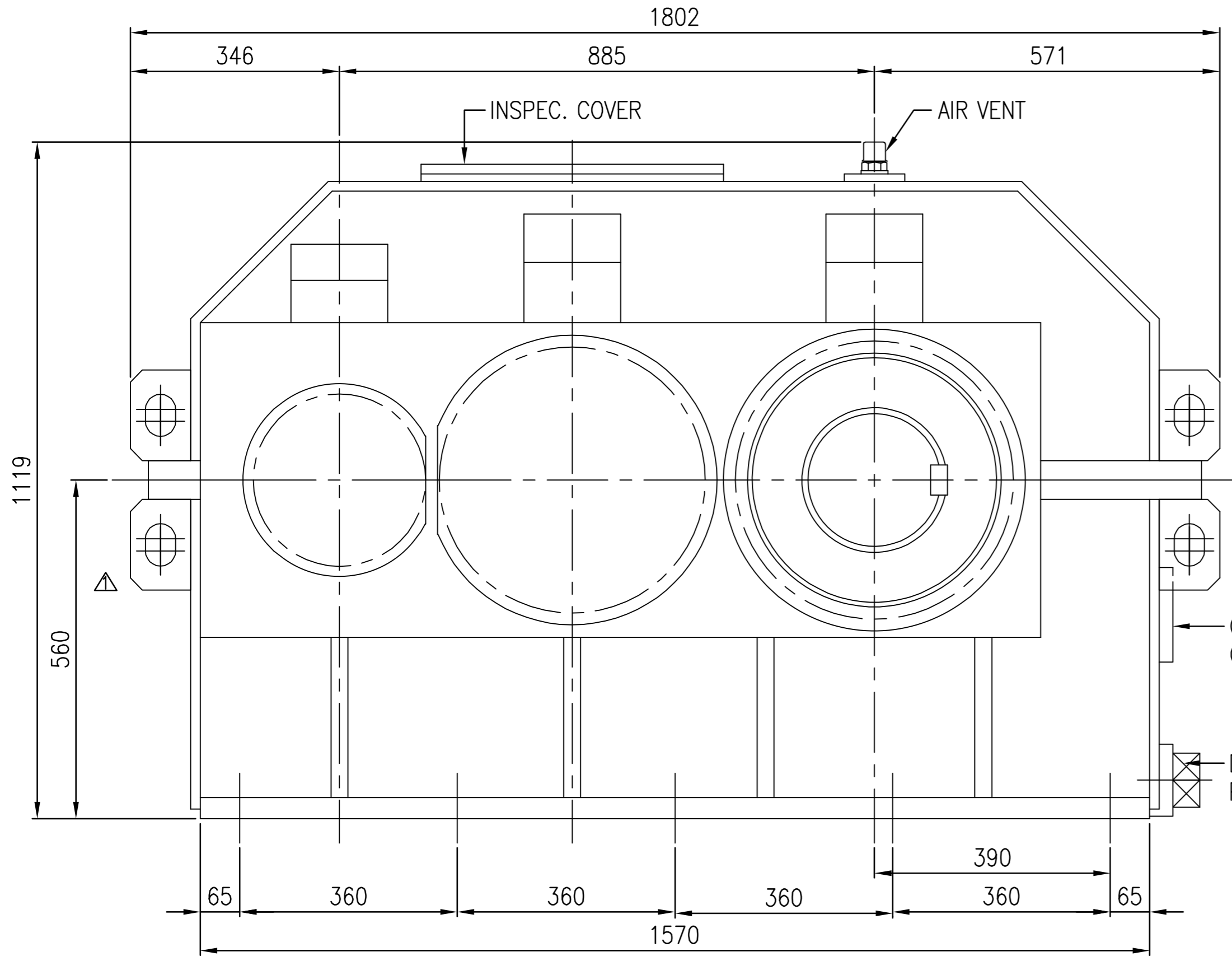


No.	NAME	MATERIAL	DWG/MATL No.	CODE	Q'TY	SIZE	WEIGHT	REMARK
-----	------	----------	--------------	------	------	------	--------	--------



SHAFT ARRANGEMENT & DIRECTION of ROTATION

DWG NAME		기어박스 외형도			
DIMENSION		DIMENSION			
2013.09.26	CHANGED LIFTING LUG	EKG1D000106		UNIT	mm
No.	DATE	DESIGNED	CHECKED	REVIEWED	APPROVED
14-0100-42	2012.02.08	박선향	서성민		김기동
ITEM		SHB50 (i=12.5~22.4)		REF. NO.	DSKEN547
FORM		AC(90x40mm)		REVISION NO.	01
DATE		2013.10.24		PROJECTION	☉