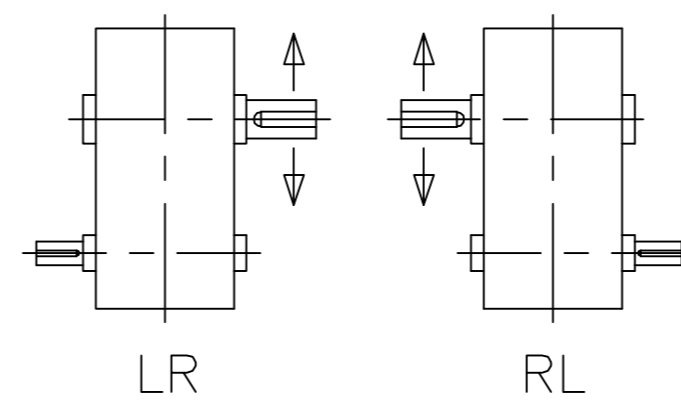
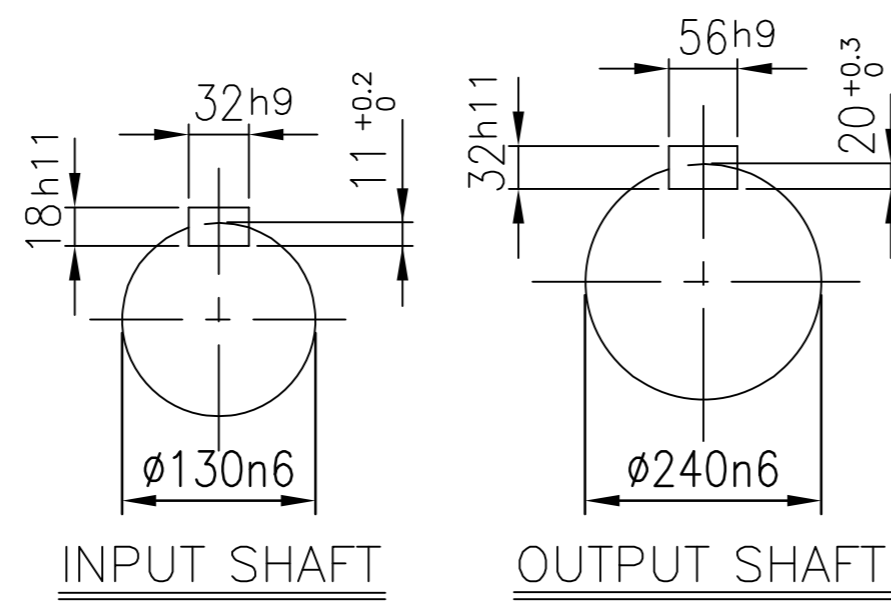
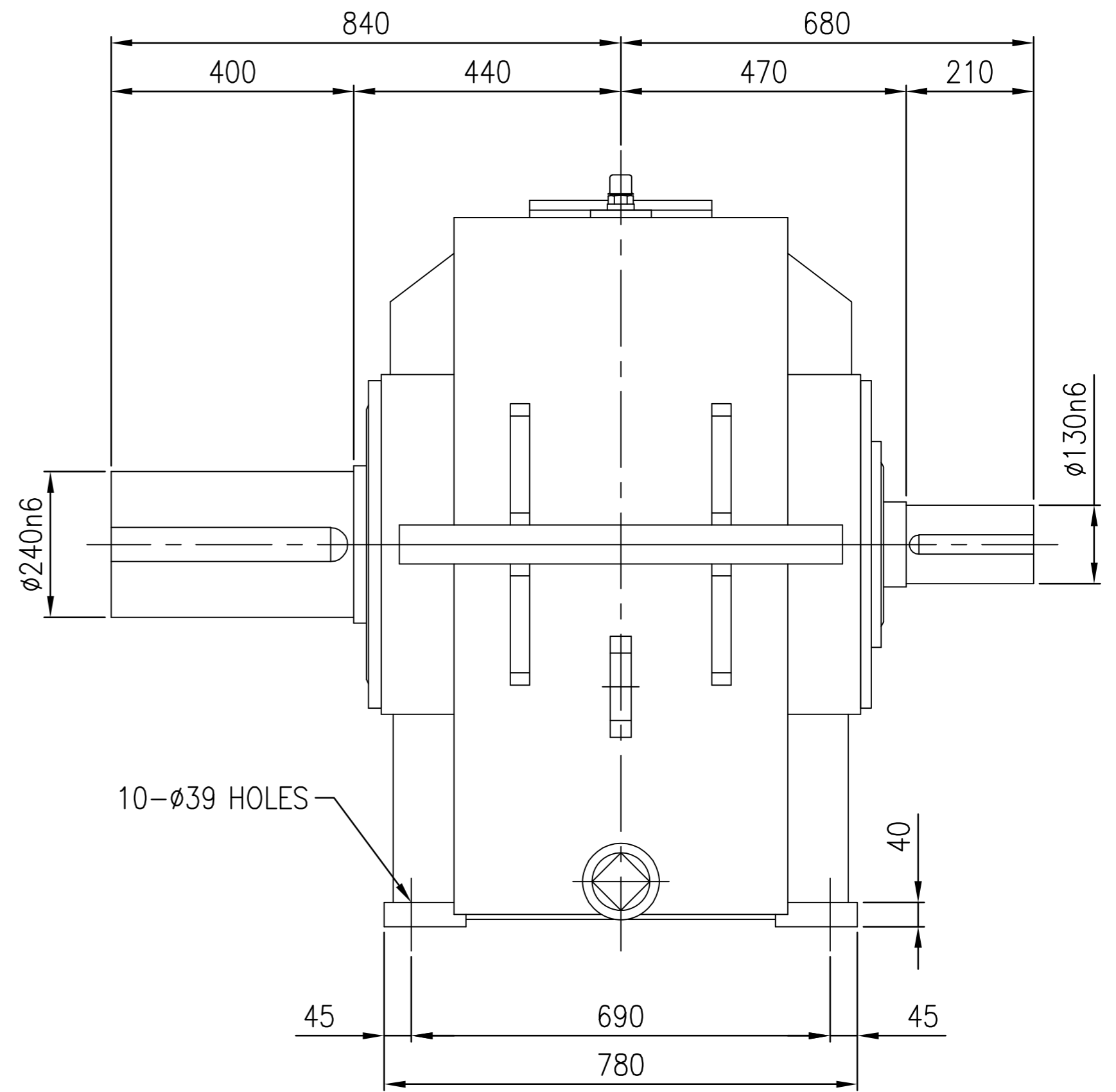
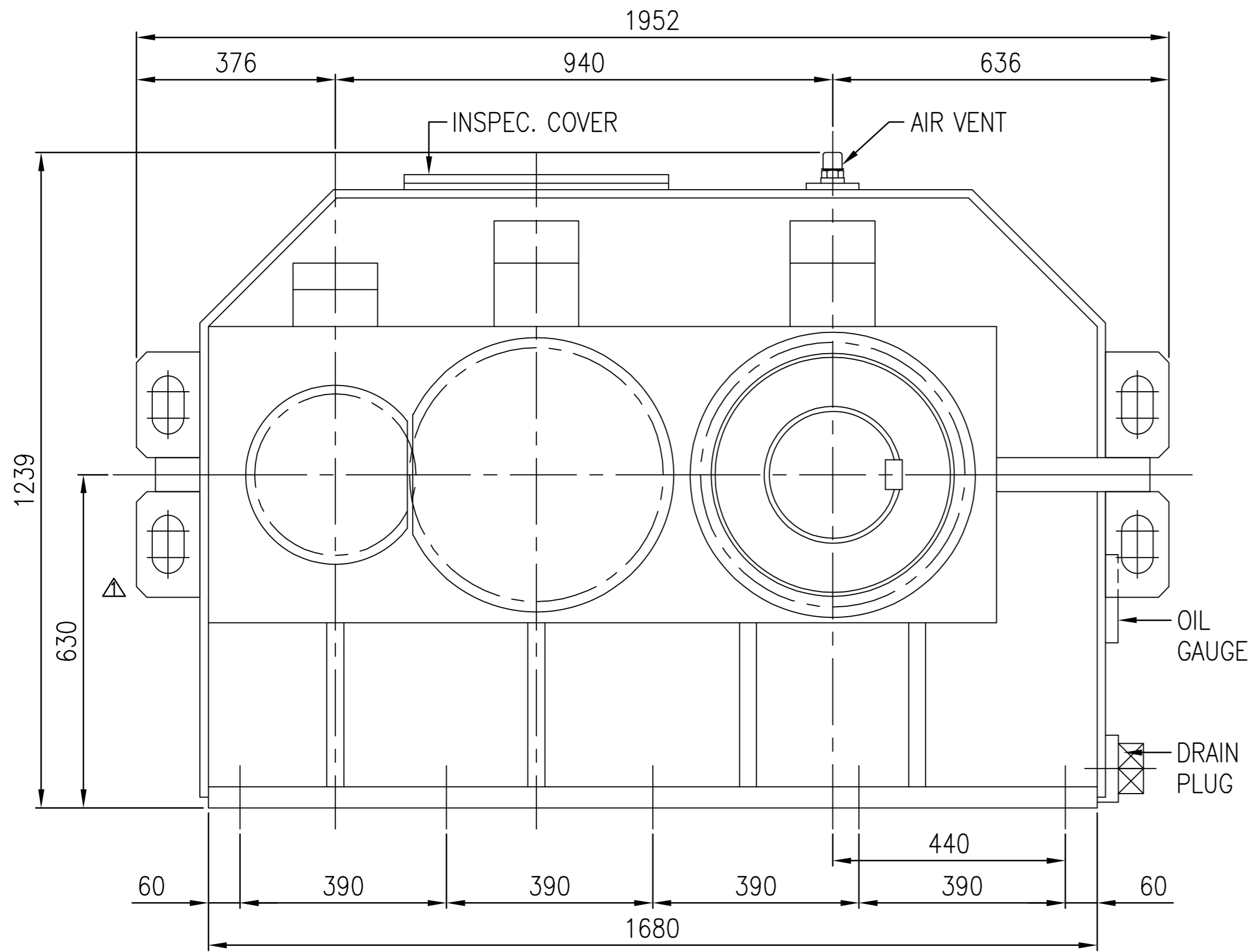


No.	NAME	MATERIAL	DWG/MATL No.	CODE	Q'TY	SIZE	WEIGHT	REMARK
-----	------	----------	--------------	------	------	------	--------	--------



SHAFT ARRANGEMENT
 & DIRECTION of ROTATION

DWG NAME		기어박스 외형도 DIMENSION			
2013.09.26	CHANGED LIFTING LUG	DWG No. EK1D000108		UNIT	mm
No.	DATE	DESIGNED	CHECKED	REVIEWED	APPROVED
1	2013.09.26	박선향	서성민		김기동
FORM		HYOSUNG		REVISION NO.	01
CE-14-0100-442		ITEM		DATE	2013-09-26
2012.02.08		SHB56 (i=7.1~11.2)		PROJECTION	☉
		REF. NO.		DSKEN549	