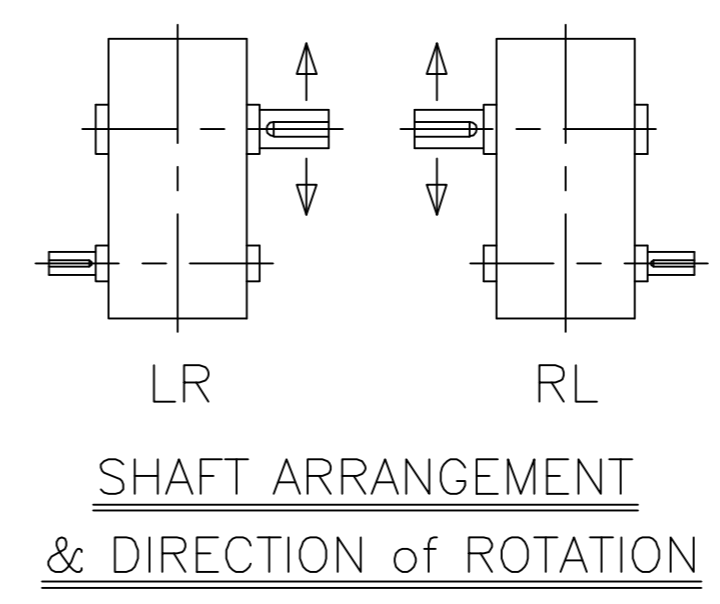
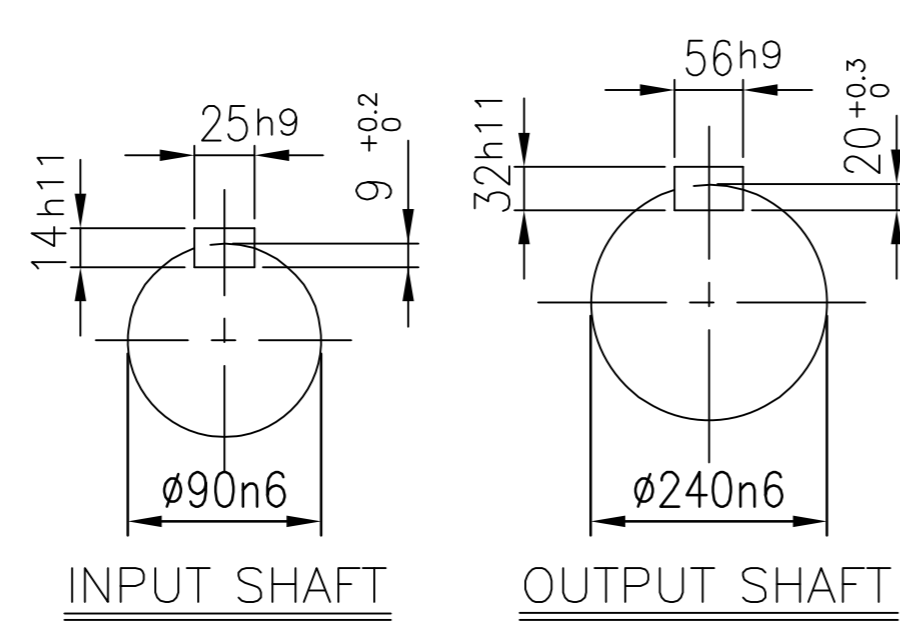
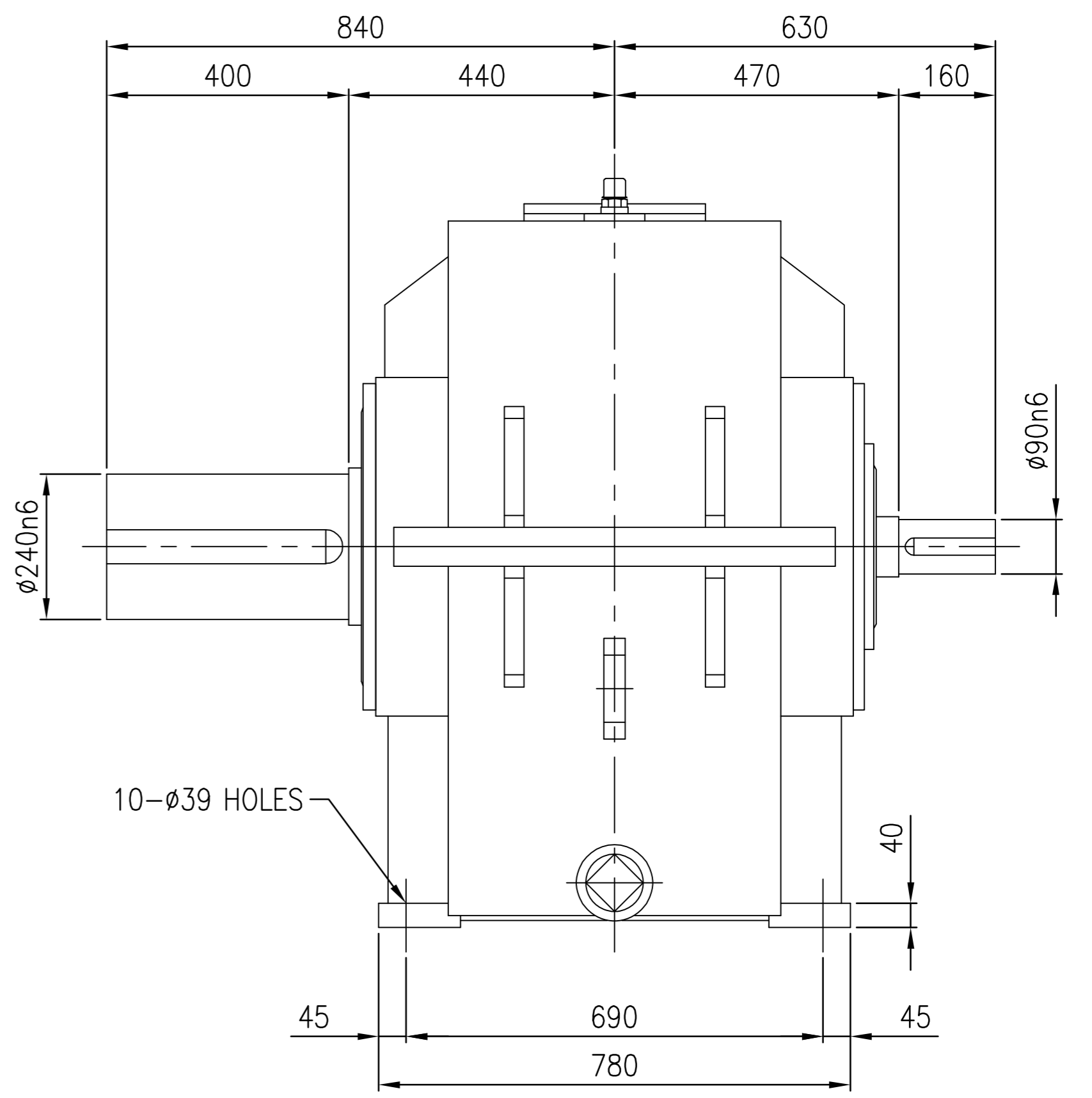
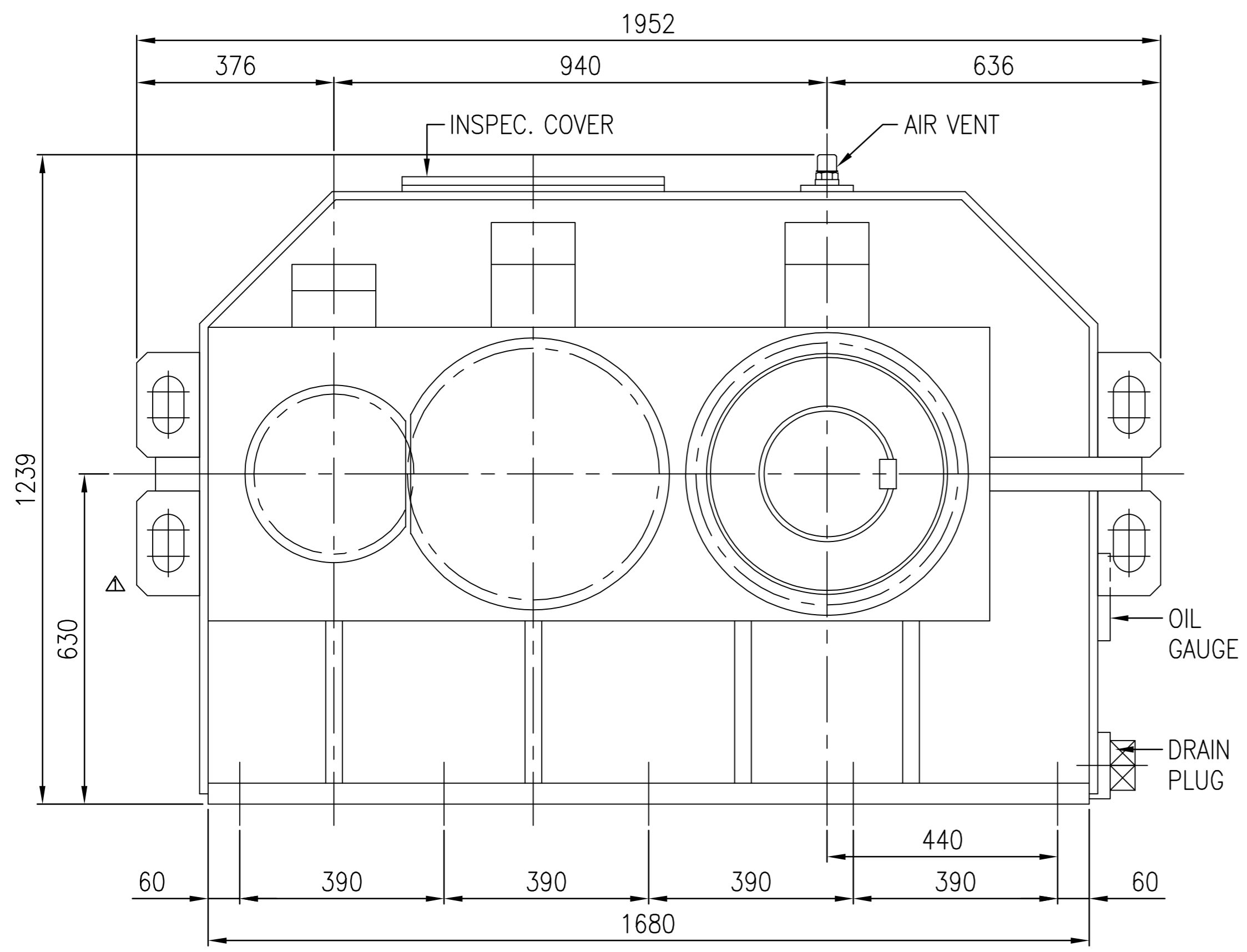


No.	NAME	MATERIAL	DWG/MATL No.	CODE	Q'TY	SIZE	WEIGHT	REMARK
-----	------	----------	--------------	------	------	------	--------	--------



DWG NAME		기어박스 외형도 DIMENSION			
2013.09.26	CHANGED LIFTING LUG	DWG No. EK1D000110		UNIT	mm
No.	DATE	DESIGNED	CHECKED	REVIEWED	APPROVED
1	2012.02.08	박선희	서성민		김기동
FORM CE-14-010-442 2012.02.08		HYOSUNG		DATE	2013-09-26
ITEM SHB56 (i=25~28)		REF. NO.	DSKEN551		
		REVISION NO. 01		PROJECTION	