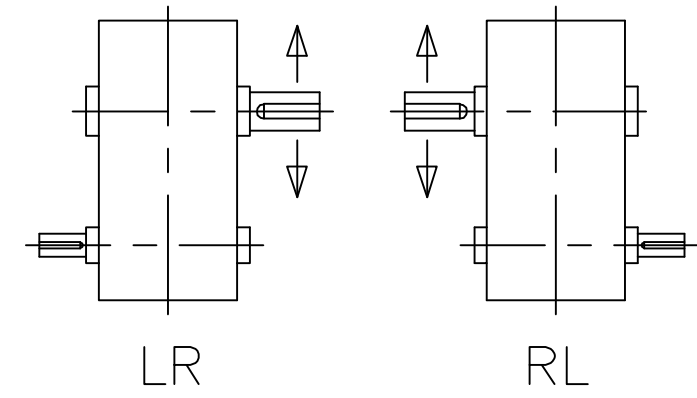
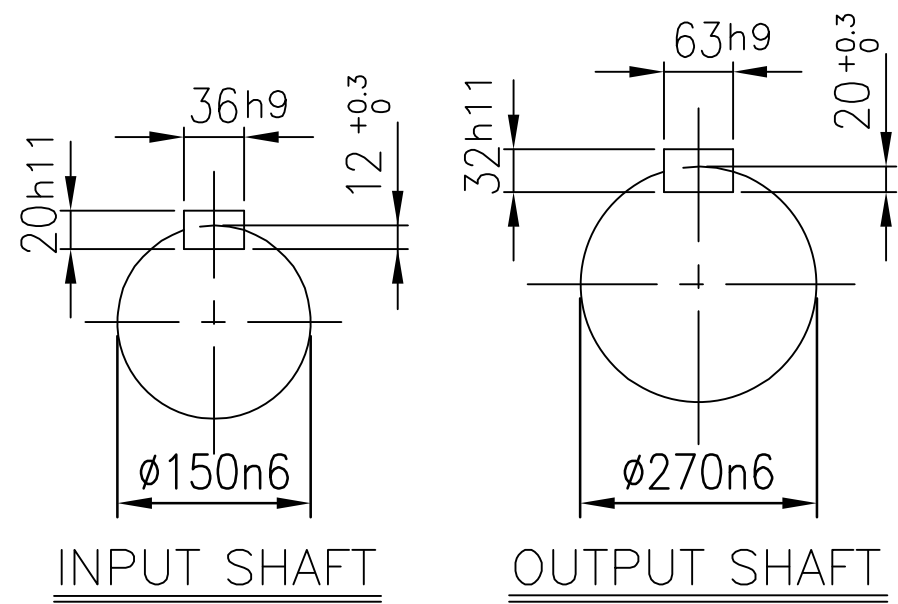
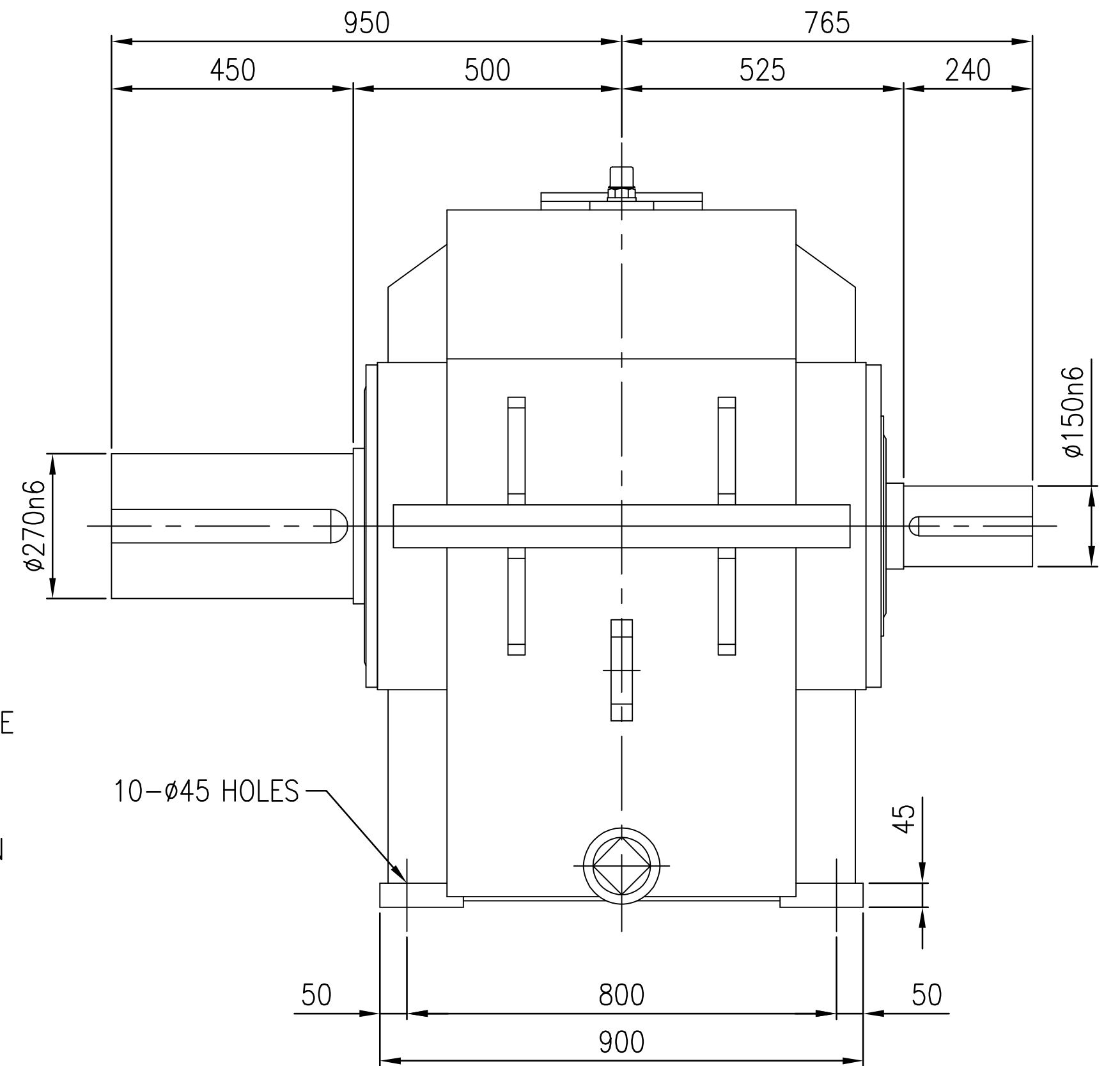
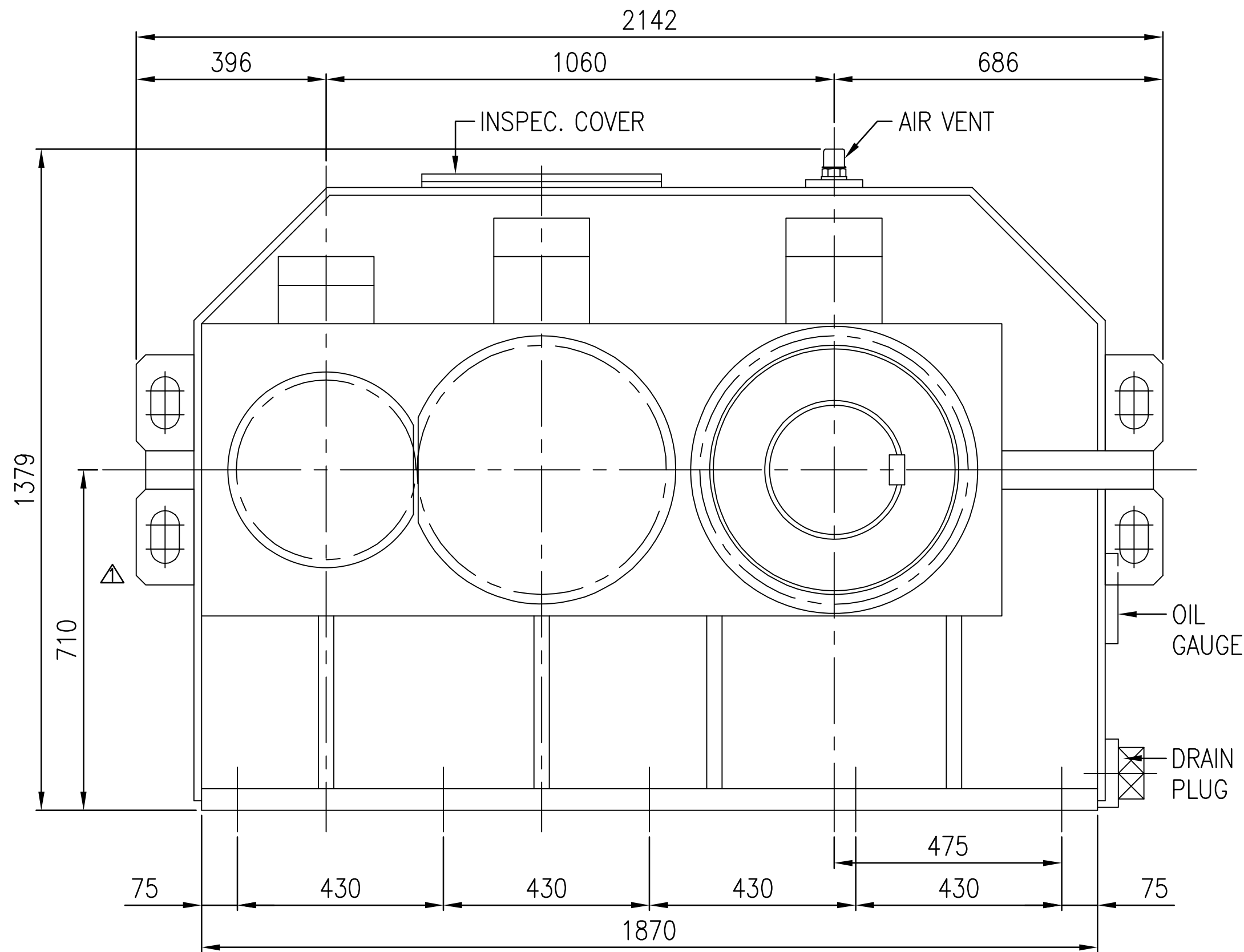


No.	NAME	MATERIAL	DWG/MATL No.	CODE	Q'TY	SIZE	WEIGHT	REMARK
-----	------	----------	--------------	------	------	------	--------	--------



SHAFT ARRANGEMENT & DIRECTION of ROTATION

DWG NAME		기어박스 외형도						
DIMENSION		DIMENSION						
No.	DATE	DESCRIPTION of REVISION	DESIGNED	CHECKED	REVIEWED	APPROVED	DATE	2013-09-26
2013.09.26		CHANGED LIFTING LUG	박선향	서성민	김기동		2013.10.24	REVISION NO. 01
FORM CE-14-0100-42 2012.02.06		HYOSUNG		ITEM SHB61 (i=7.1~11.2)		REF. NO. DSKEN552		(A)