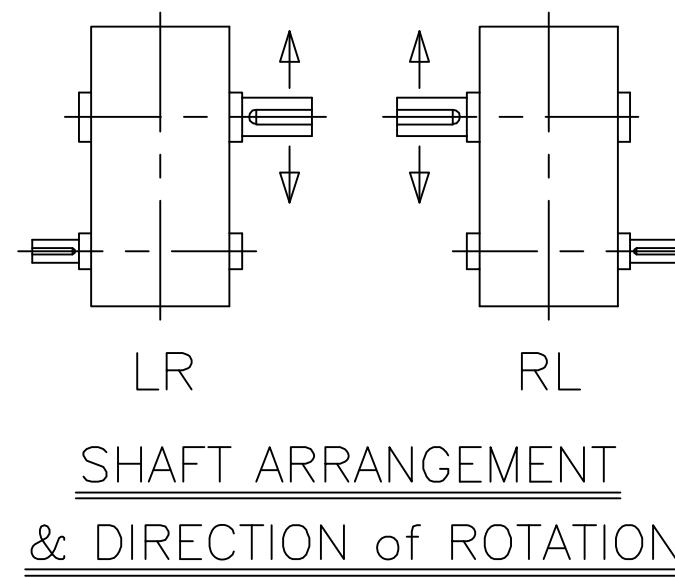
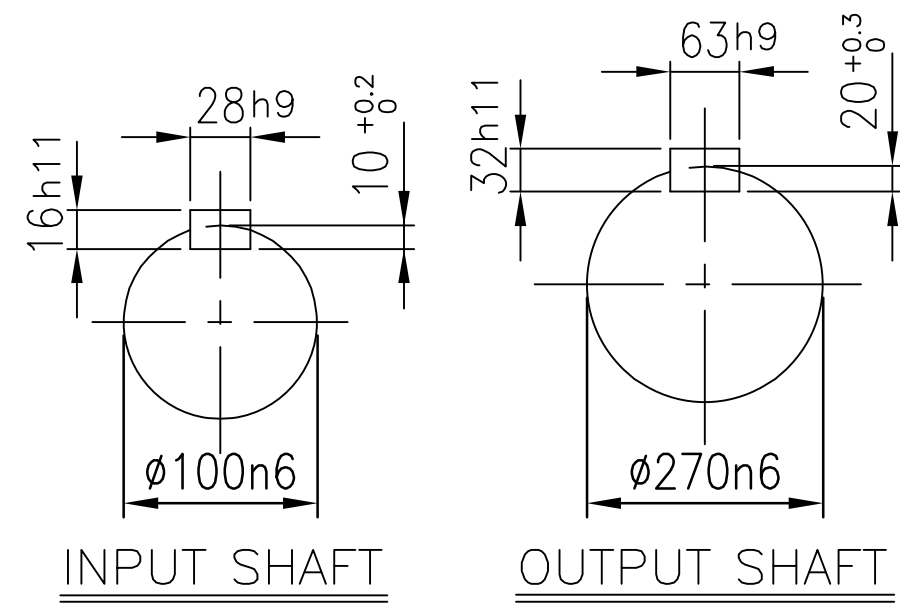
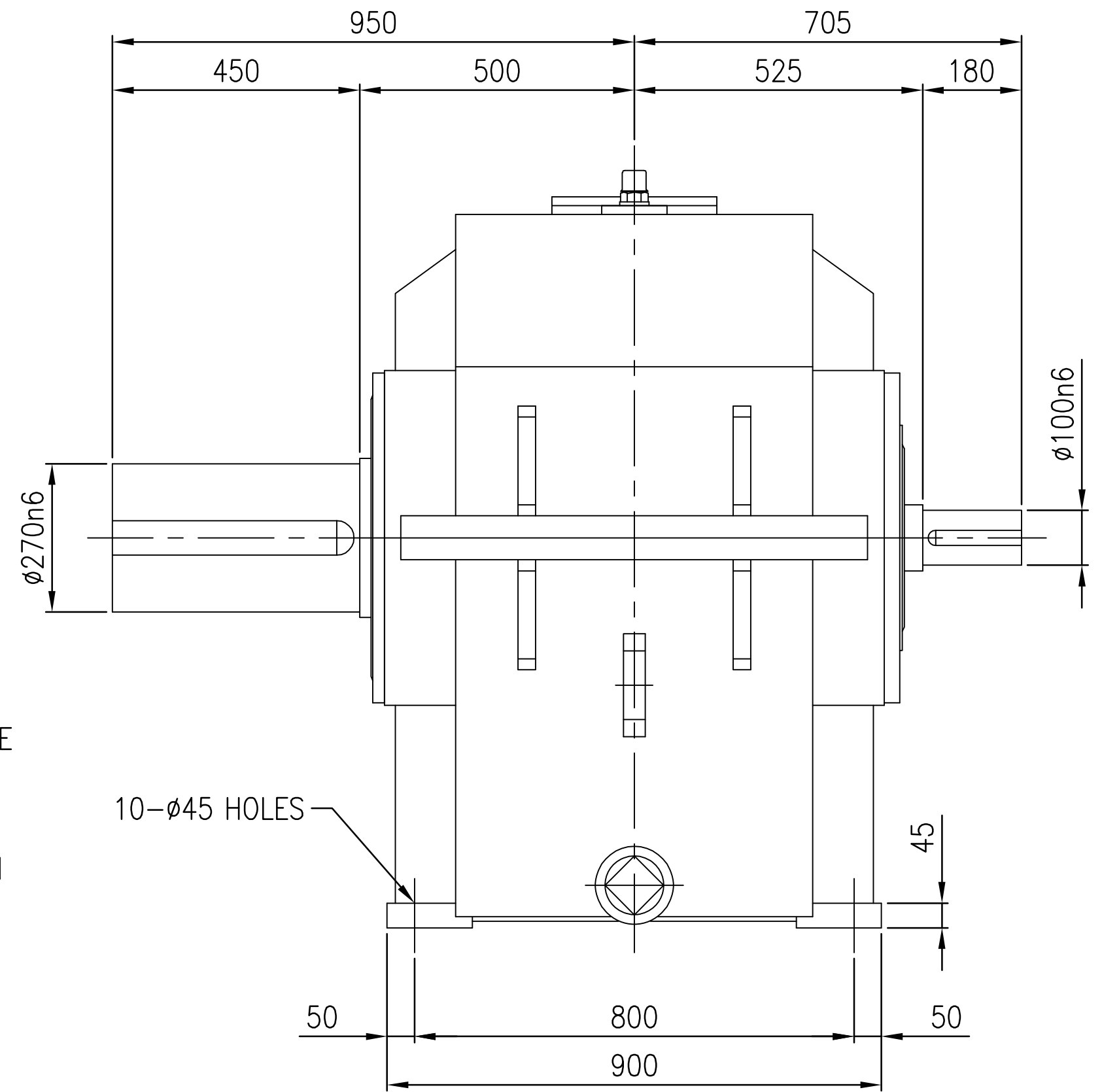
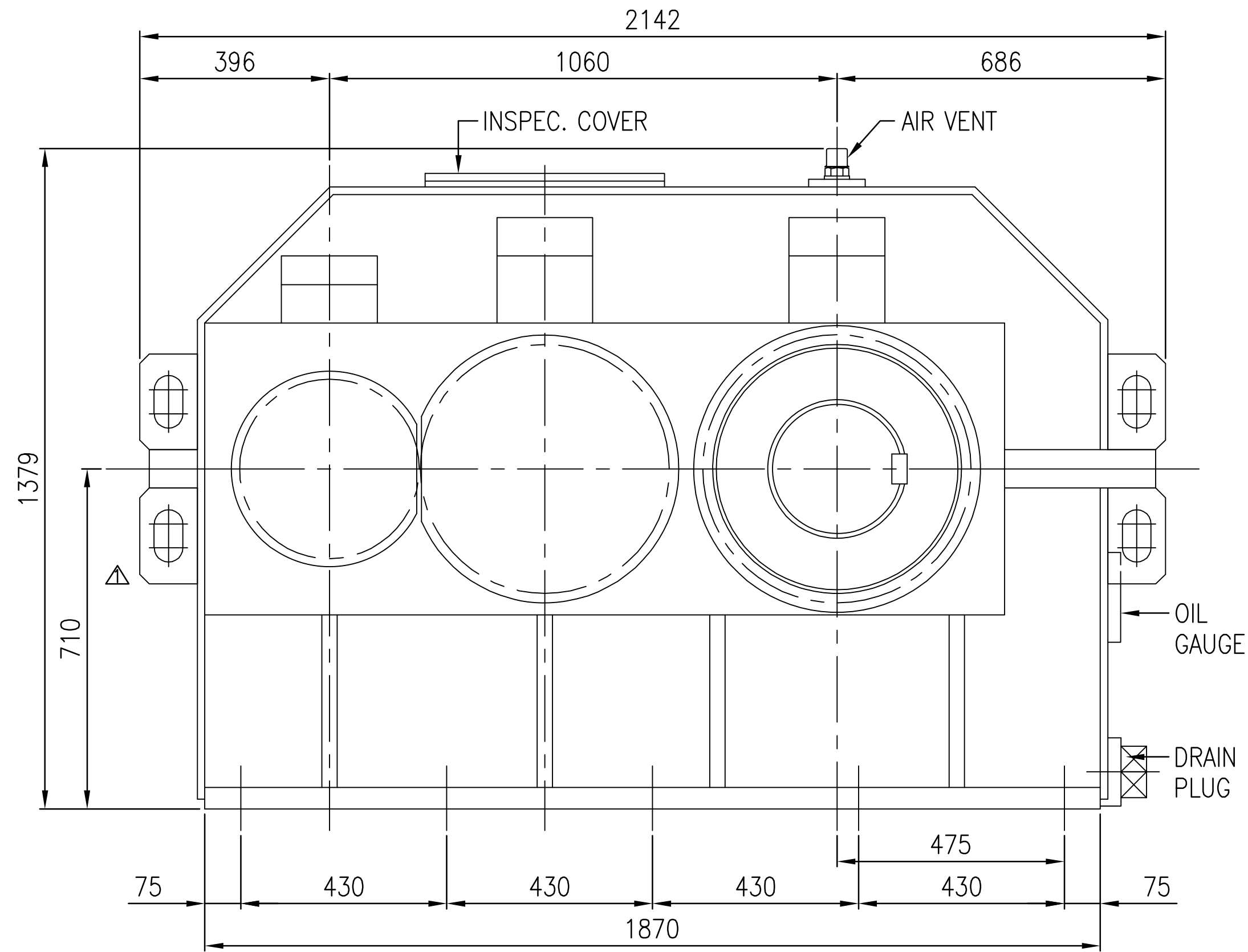


No.	NAME	MATERIAL	DWG/MATL No.	CODE	Q'TY	SIZE	WEIGHT	REMARK
-----	------	----------	--------------	------	------	------	--------	--------



DWG NAME		기어박스 외형도 DIMENSION			
2013.09.26	CHANGED LIFTING LUG	DWG No. EK1D000113		UNIT	mm
No.	DATE	DESIGNED	CHECKED	REVIEWED	APPROVED
2013.10.24	박선향	2013.10.24	서성민	2013.10.24	김기동
DESCRIPTION of REVISION		SCALE	1:9		
FORM		REVISION NO.		DATE	
CE-14-0100-442 2012.02.06		01		2013-09-26	
ITEM		PROJECTION		A	
SHB61 (i=25~28)		REF. NO.		DSKEN554	