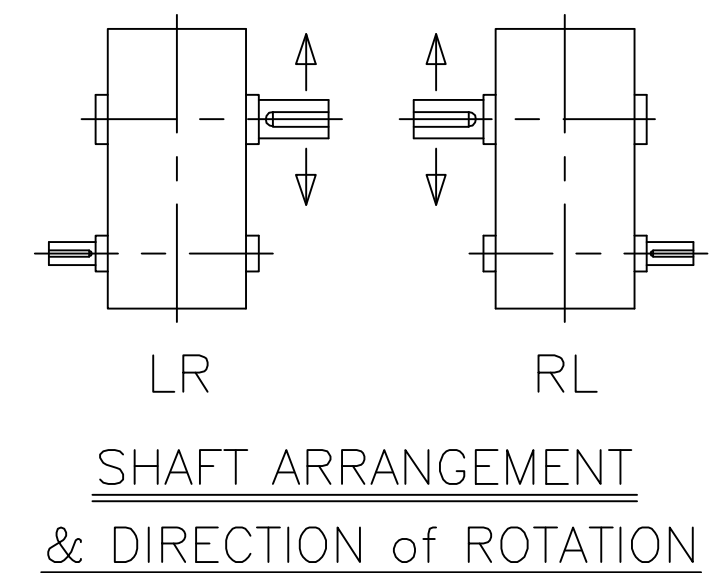
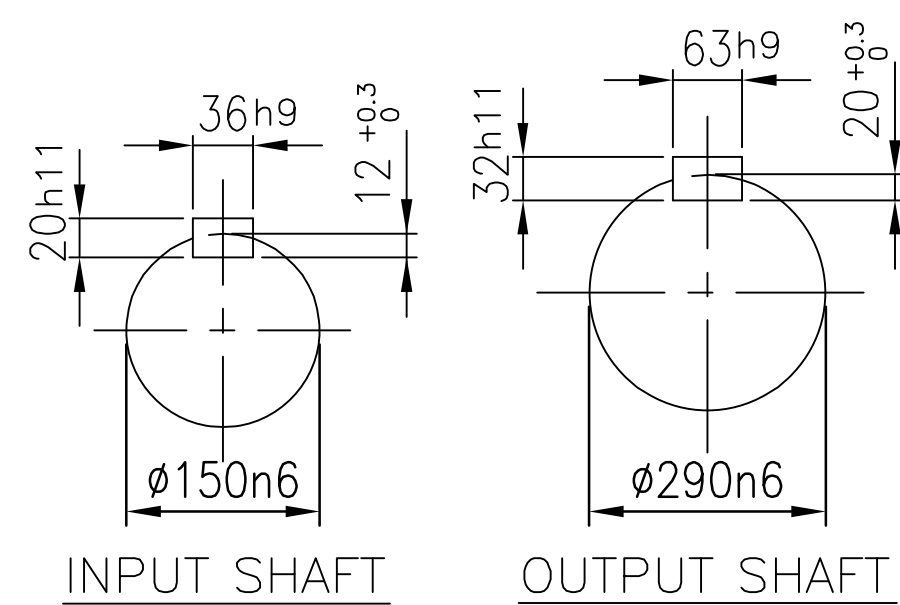
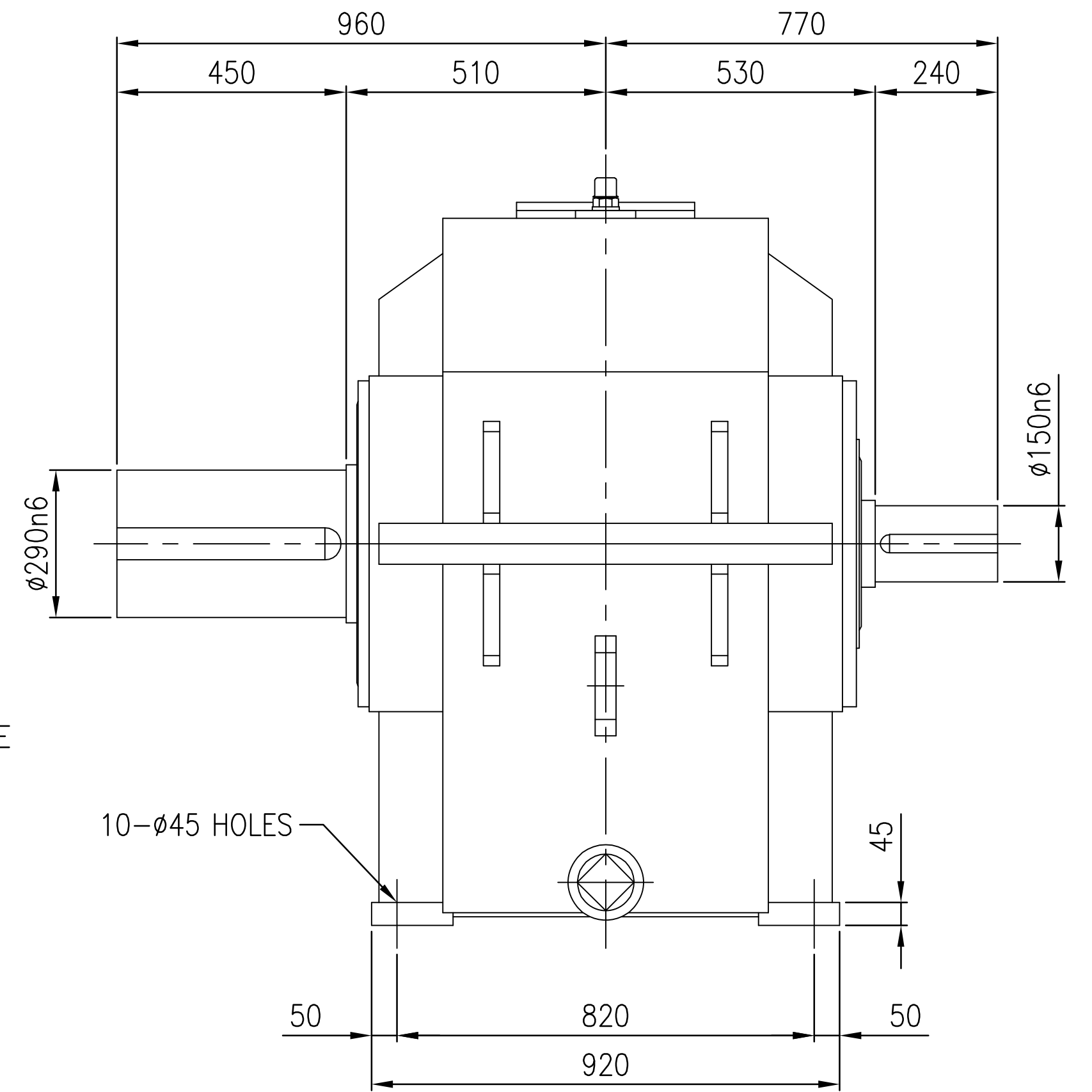
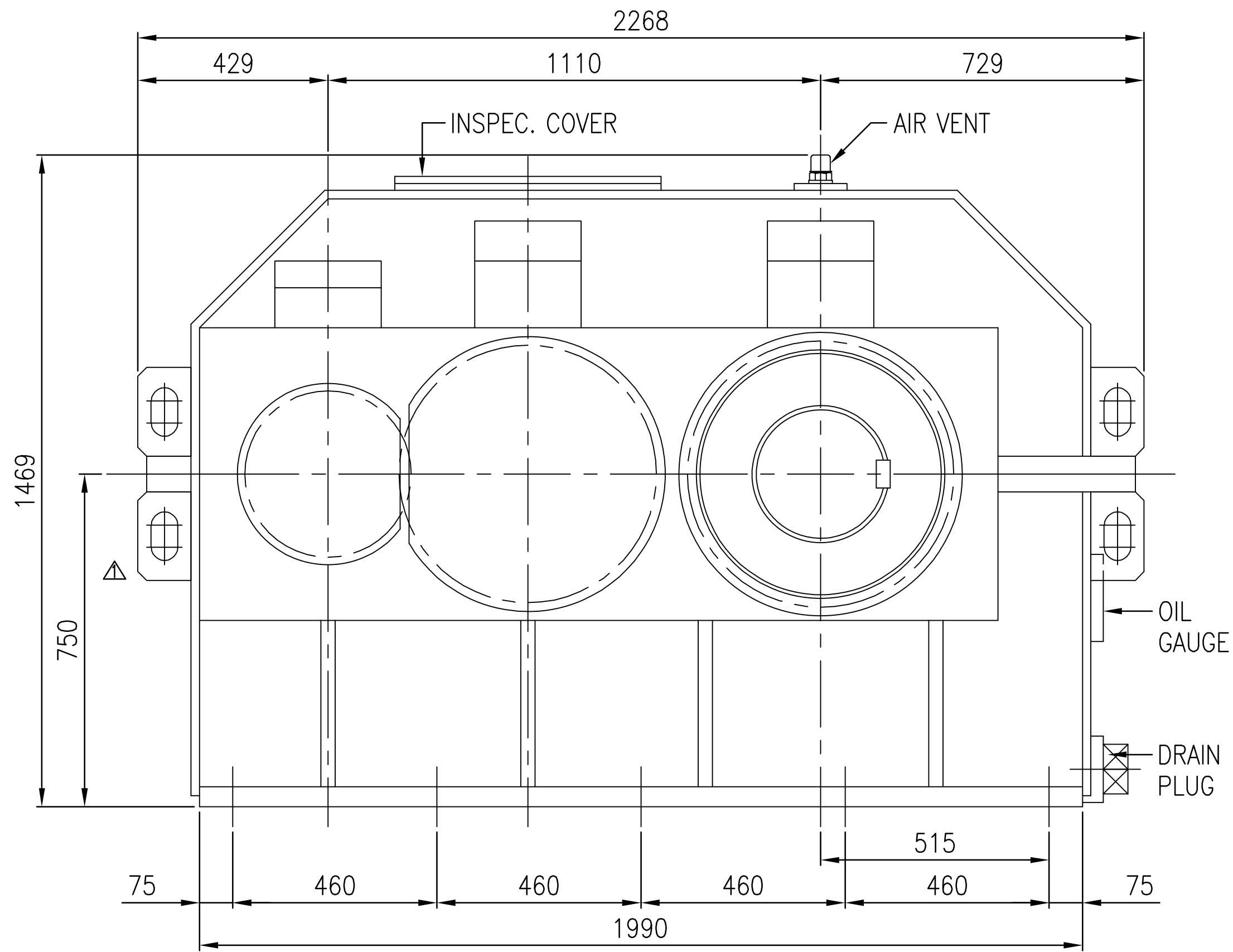


No.	NAME	MATERIAL	DWG/MATL No.	CODE	Q'TY	SIZE	WEIGHT	REMARK
-----	------	----------	--------------	------	------	------	--------	--------



DWG NAME		기어박스 외형도				DIMENSION	
2013.09.26		CHANGED LIFTING LUG				EKG1D000114	
No.		DESCRIPTION of REVISION				UNIT	mm
DATE		DESIGNED	CHECKED	REVIEWED	APPROVED	SCALE	1:9.5
FORM		HYOSUNG				DATE	2013-09-26
CE-14-0100-442		SHB66 (i=7.1~11.2)				REVISION NO.	01
2012.02.08		REF. NO.				DSKEN555	PROJECTION
						(A)	