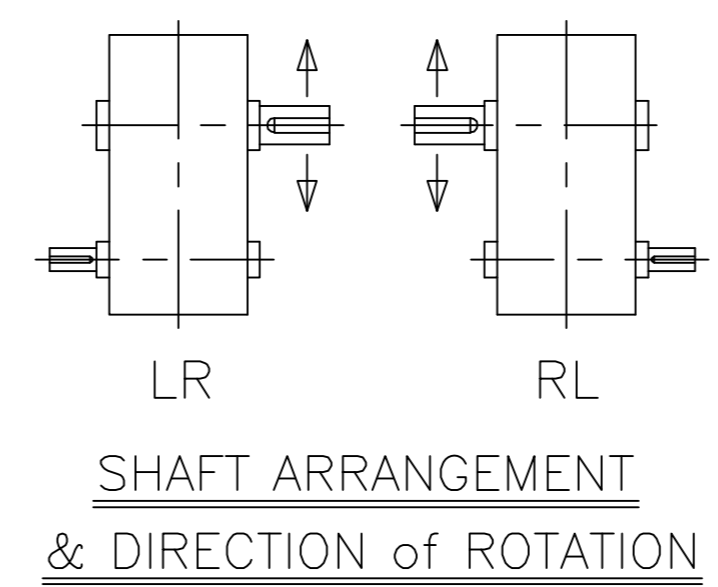
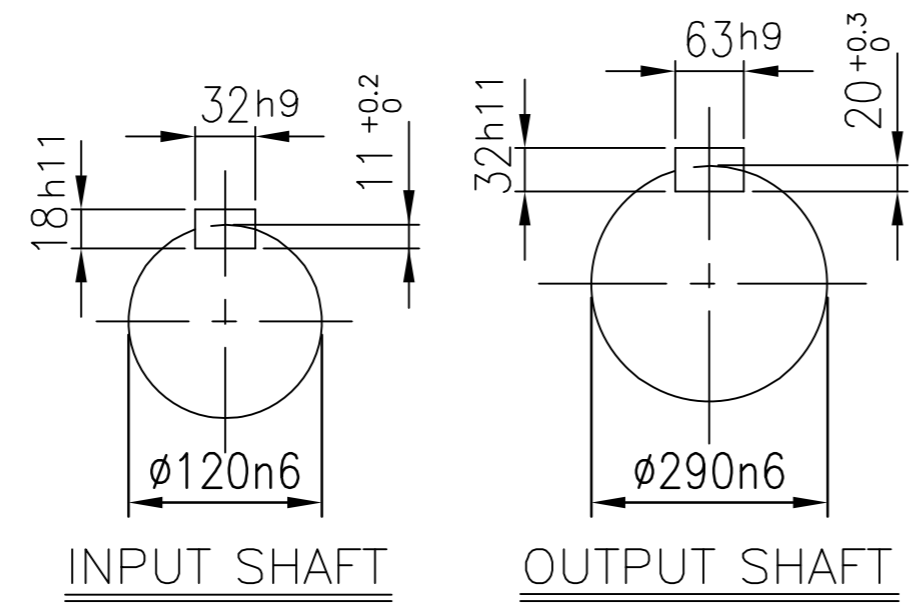
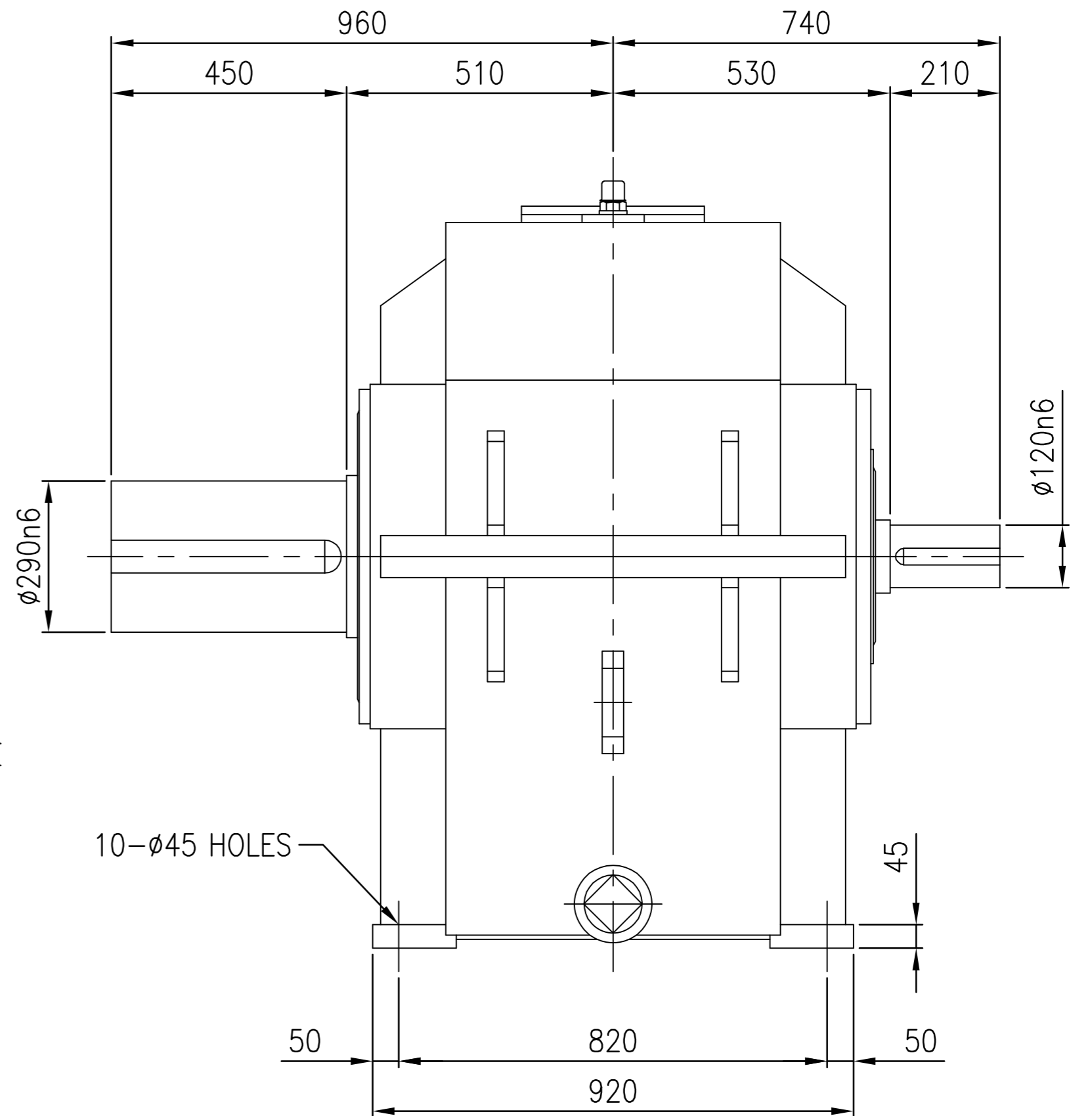
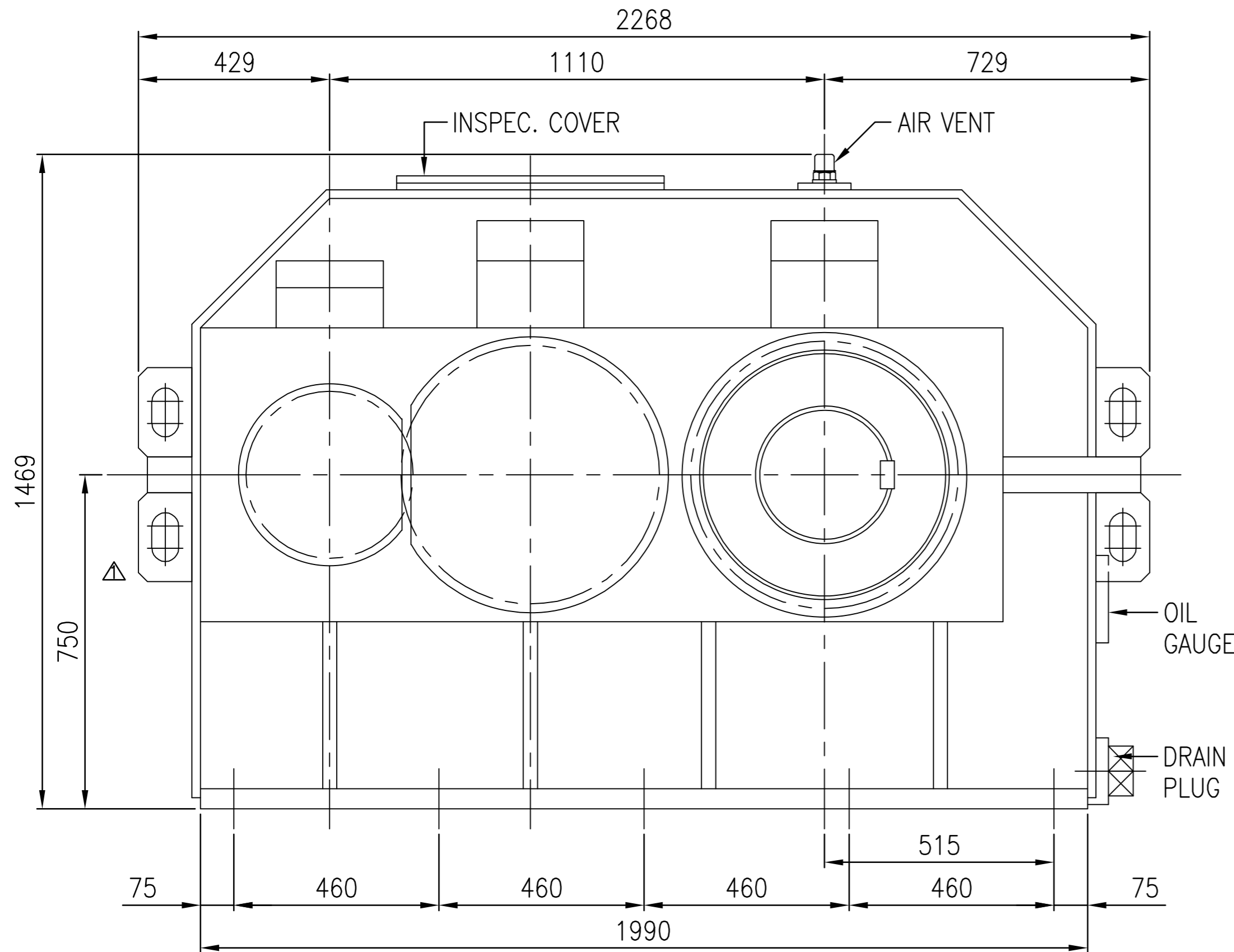


No.	NAME	MATERIAL	DWG/MATL No.	CODE	Q'TY	SIZE	WEIGHT	REMARK
-----	------	----------	--------------	------	------	------	--------	--------



DWG NAME		기어박스 외형도						
DIMENSION		DIMENSION						
No.	DATE	DESCRIPTION of REVISION	DESIGNED	CHECKED	REVIEWED	APPROVED	DATE	2013-09-26
2013.09.26		CHANGED LIFTING LUG						
FORM		HYOSUNG		2013.10.24		2013.10.24		REVISION NO. 01
CE-14-0100-442		SHB66 (i=12.5~22.4)		서성민		김기동		PROJECTION
2012.02.08		REF. NO.		DSKEN556				(A)