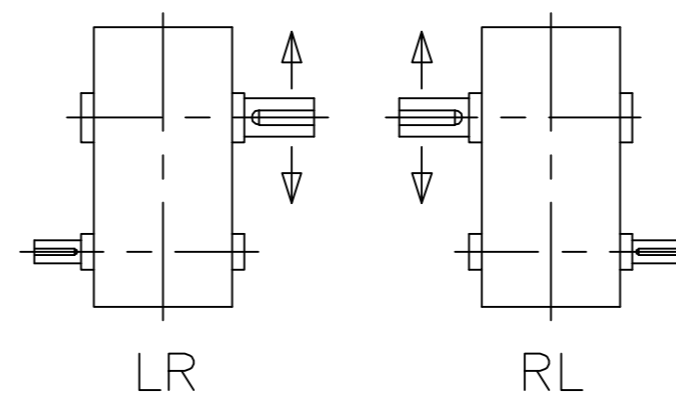
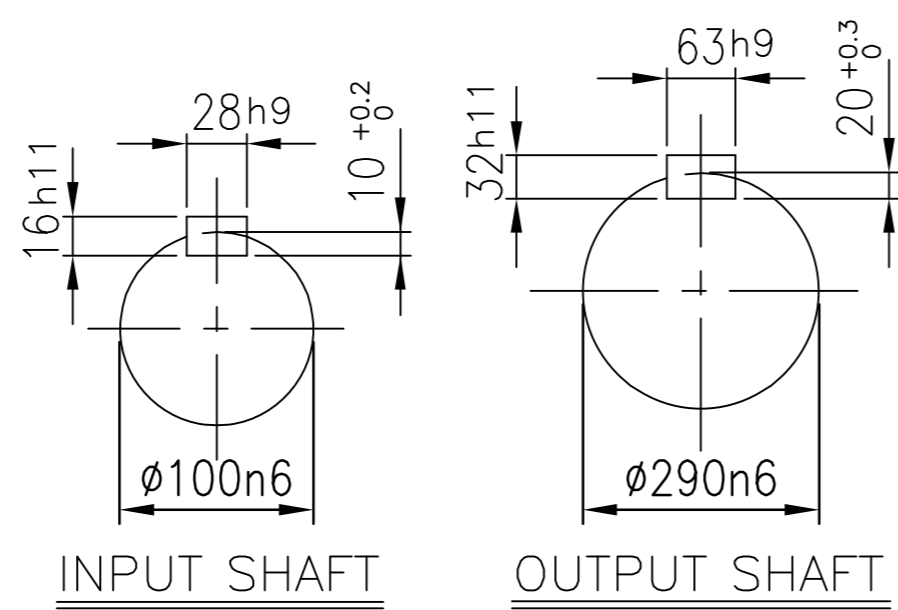
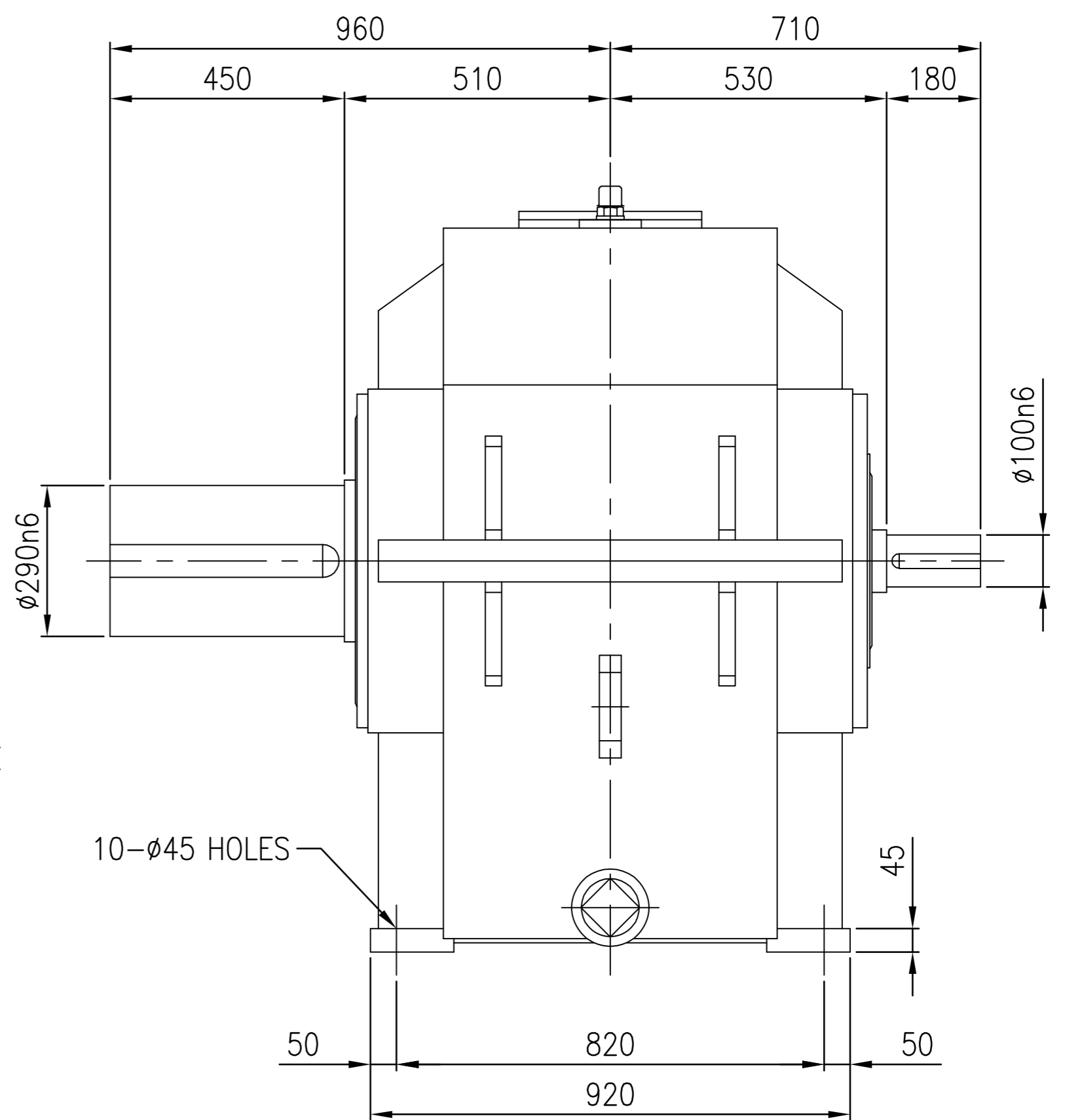
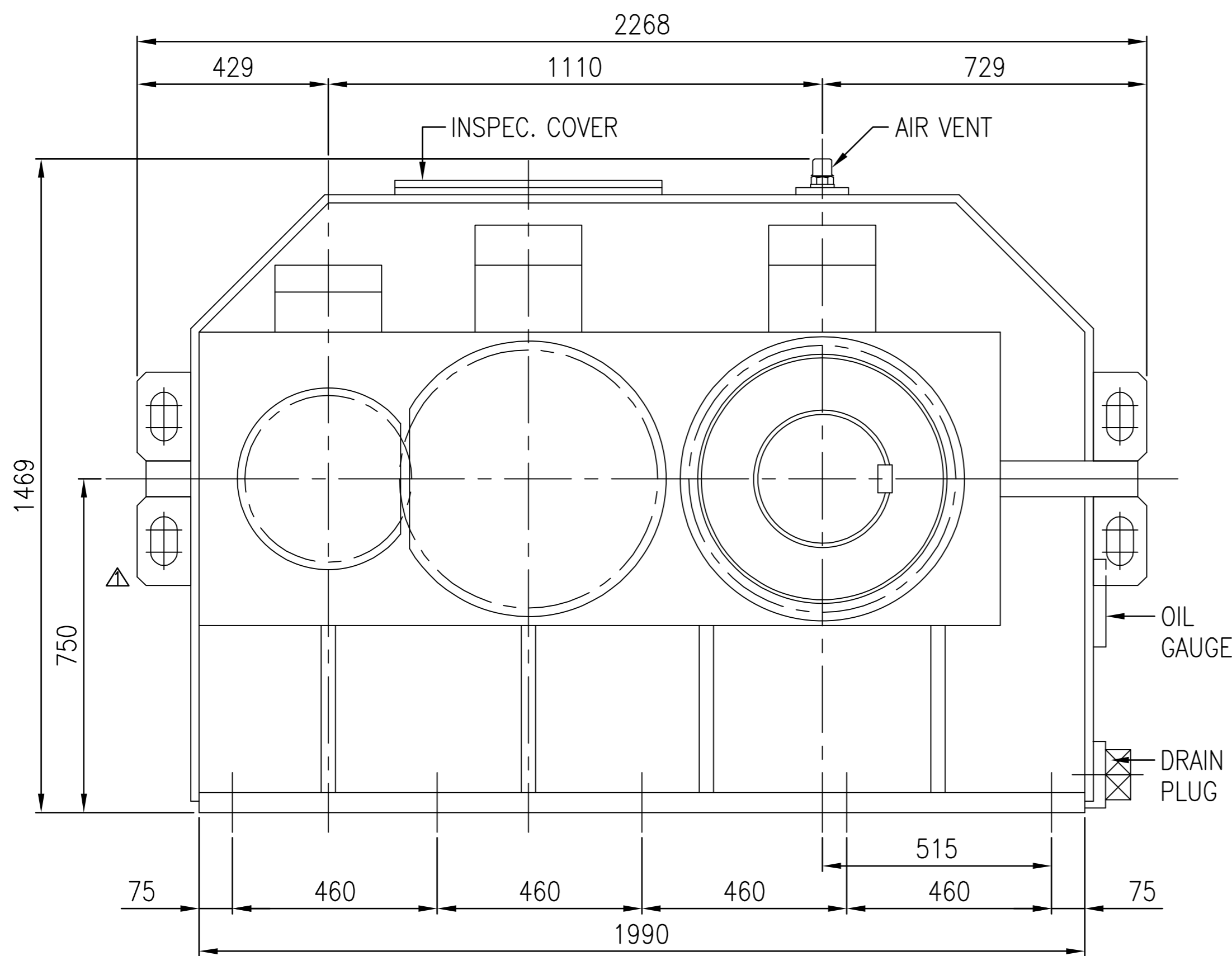


No.	NAME	MATERIAL	DWG/MATL No.	CODE	Q'TY	SIZE	WEIGHT	REMARK
-----	------	----------	--------------	------	------	------	--------	--------



DWG NAME		기어박스 외형도							
DIMENSION		DIMENSION							
DWG No.		EK1D000116		UNIT	mm				
SCALE		1:9.5							
No.	DATE	DESCRIPTION of REVISION	DESIGNED	CHECKED	REVIEWED	APPROVED	DATE	2013-09-26	
1	2013.09.26	CHANGED LIFTING LUG							
FORM		HYOSUNG		2013.10.24		2013.10.24		REVISION NO.	01
CE-14-0100-442		박선향		서성민		김기동		PROJECTION	☉
ITEM		SHB66 (i=25~28)		REF. NO.		DSKEN557		(A)	