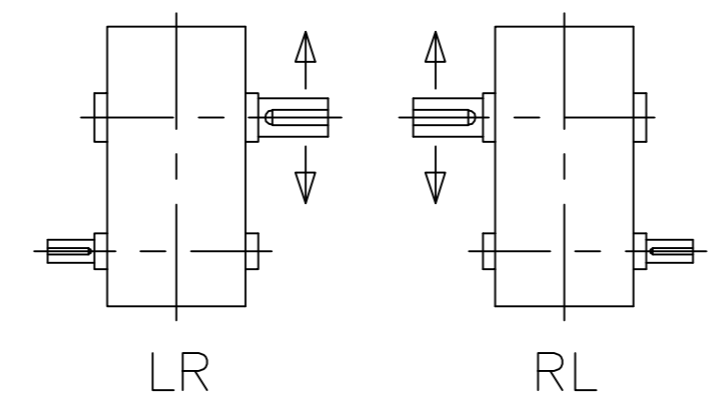
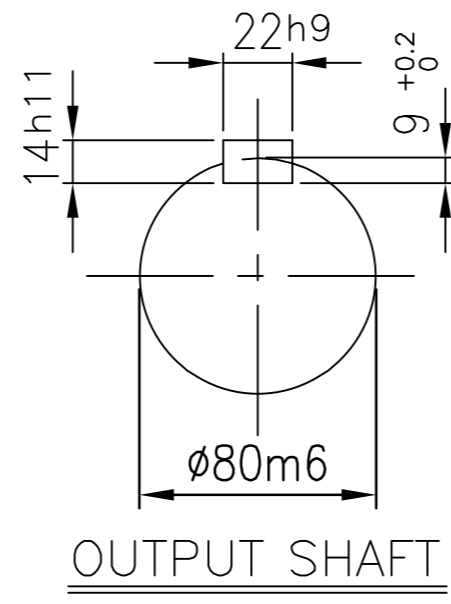
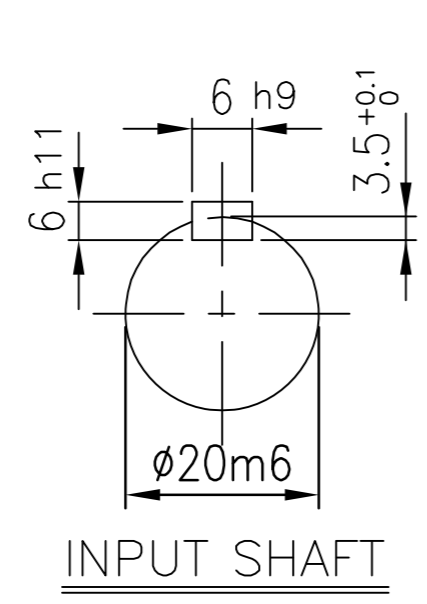
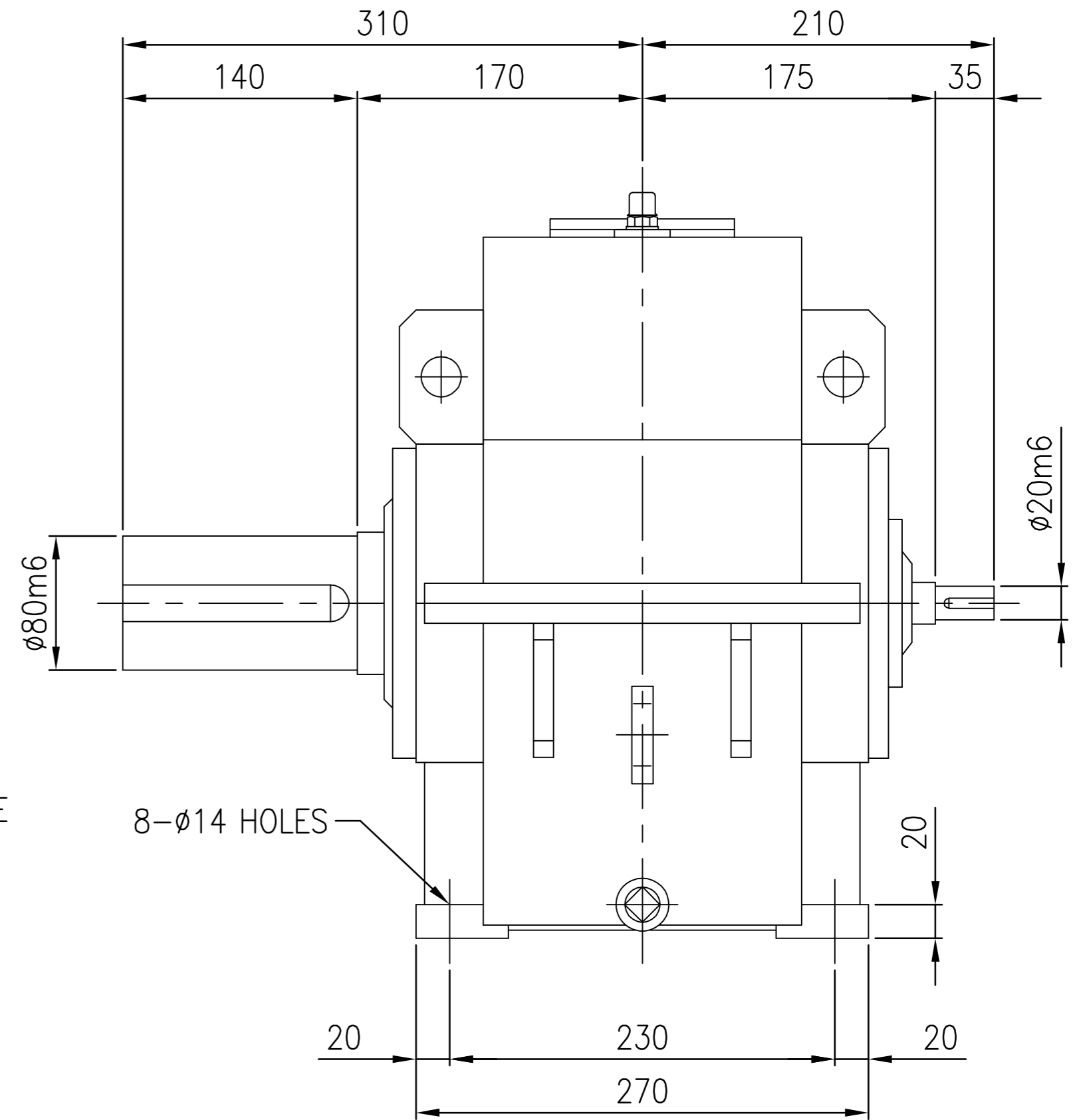
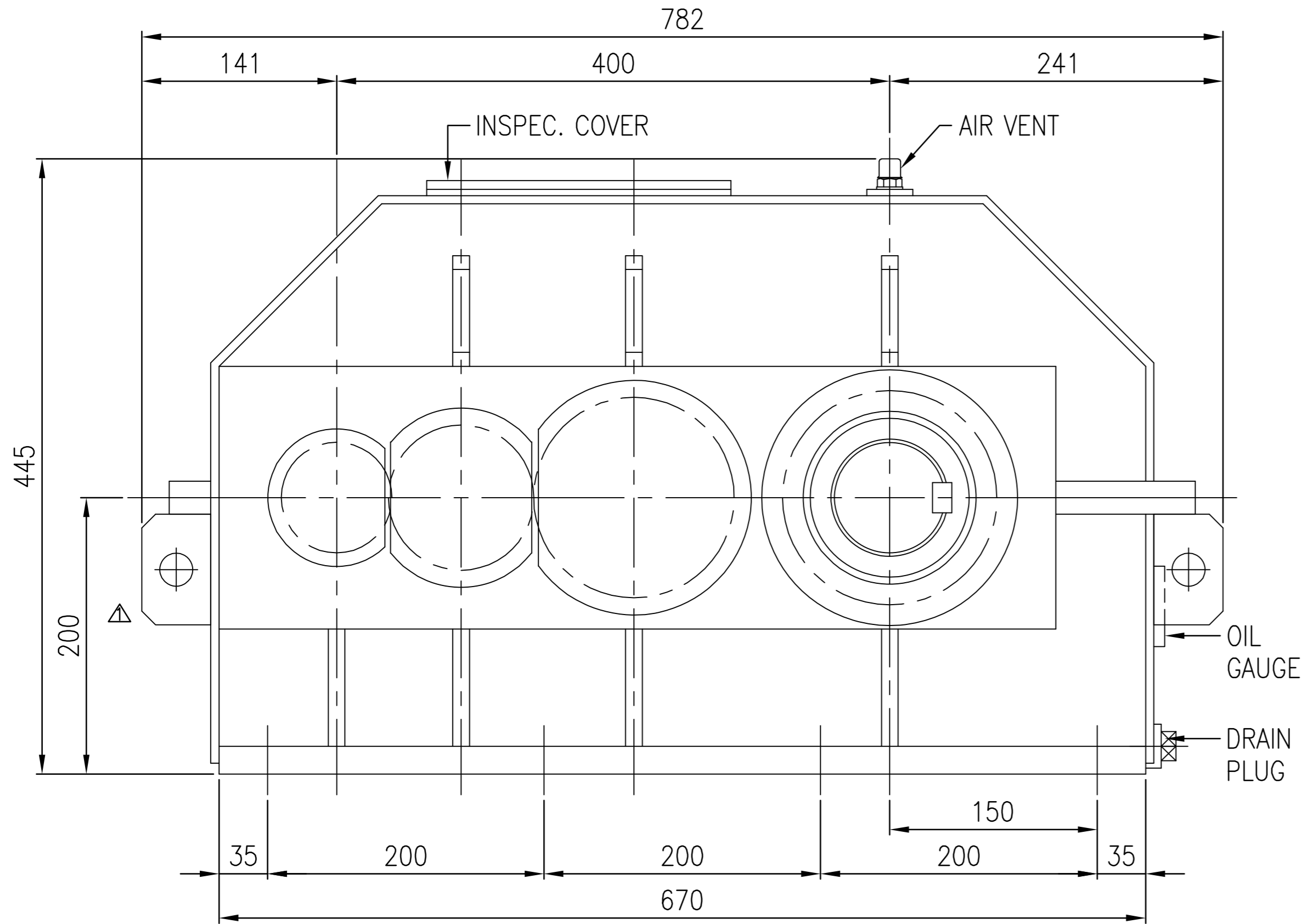


No.	NAME	MATERIAL	DWG/MATL No.	CODE	Q'TY	SIZE	WEIGHT	REMARK
-----	------	----------	--------------	------	------	------	--------	--------



SHAFT ARRANGEMENT & DIRECTION of ROTATION

DWG NAME		기어박스 외형도			
DIMENSION		DIMENSION			
2013.09.26.	CHANGED LIFTING LUG	DWG No. EK1DO00121		UNIT	mm
No.	DATE	DESIGNED	CHECKED	REVIEWED	APPROVED
2013.10.24	박선향	2013.10.24	서성민	2013.10.24	김기동
FORM	CE-14-0100-4A2	HYOSUNG		REVISION NO.	01
2012.02.08		ITEM		DATE	2013-09-27
SHC18 (i=71~112)		REF. NO.		DSKEN562	(A)