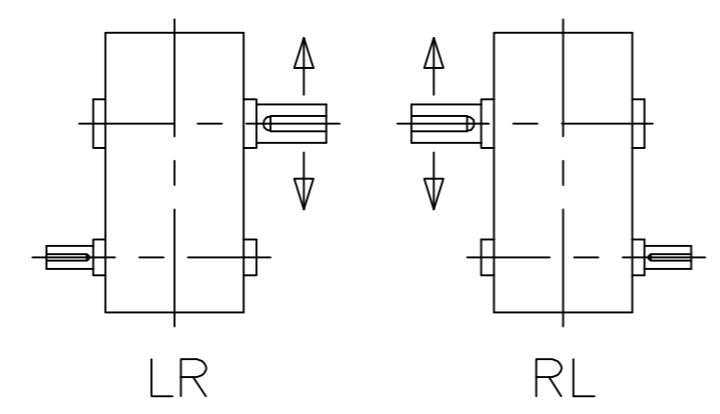
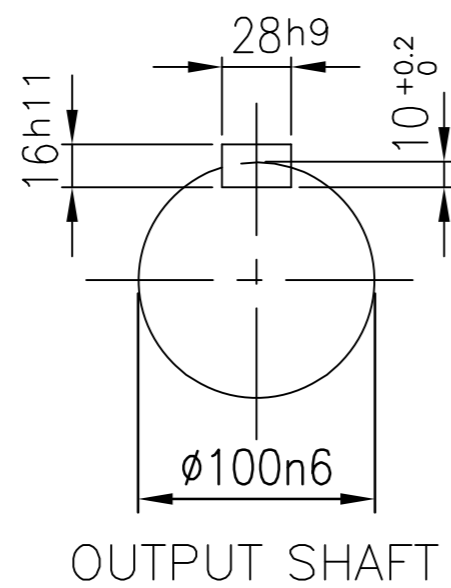
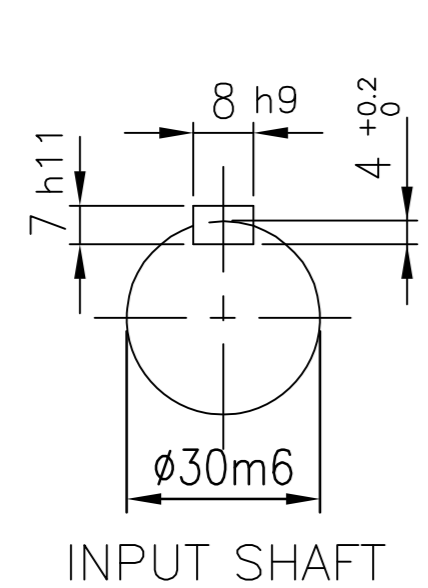
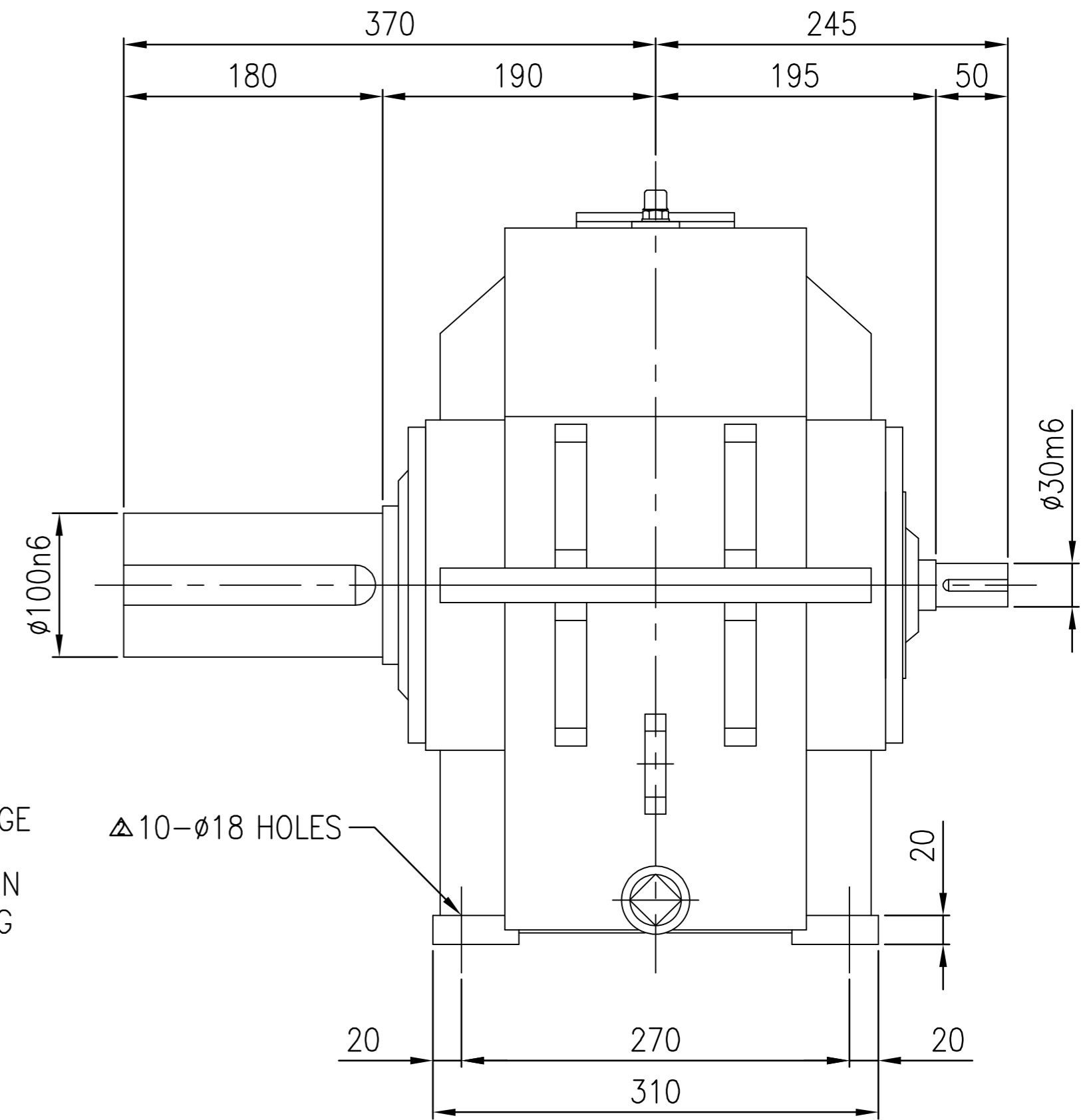
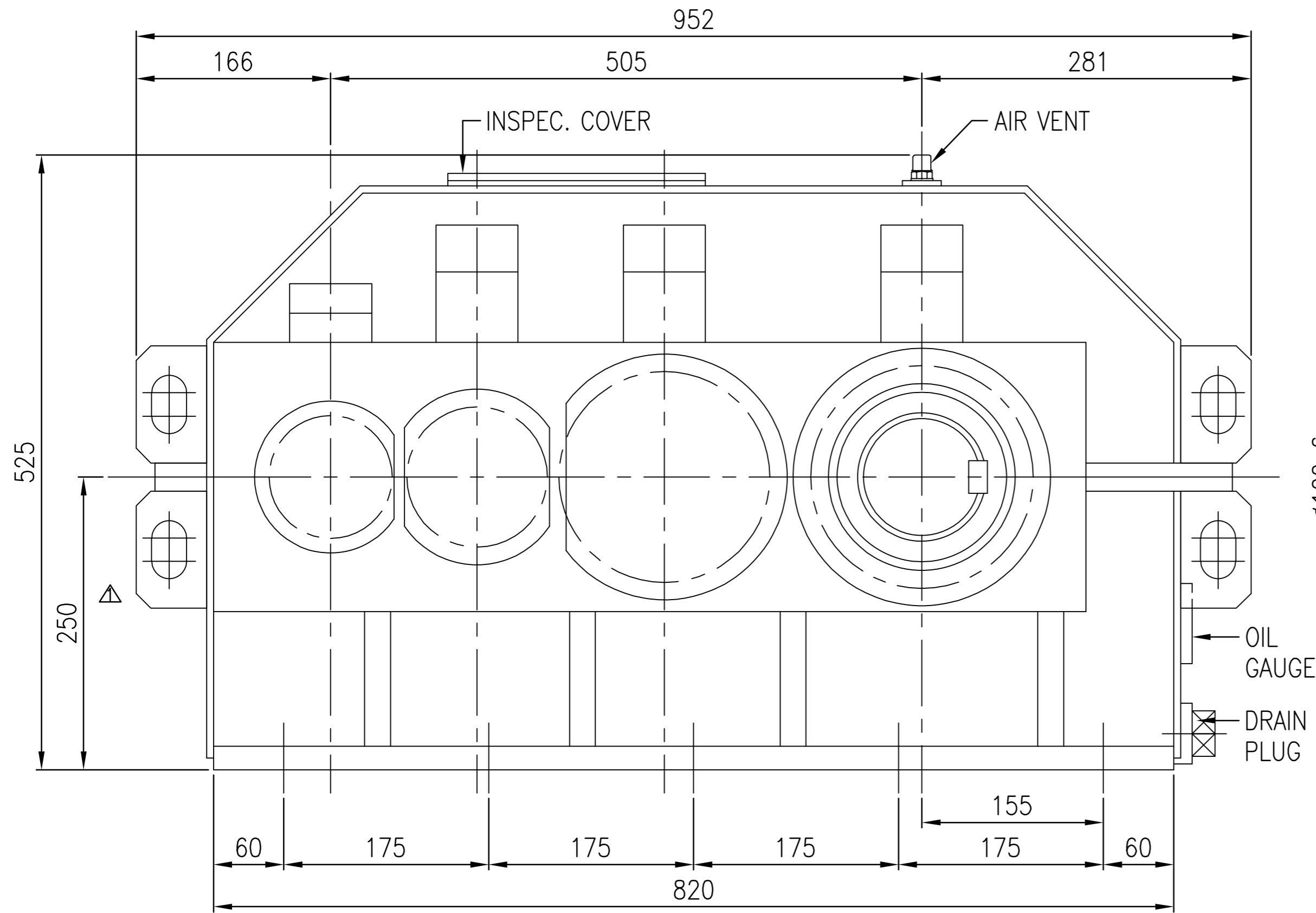


No.	NAME	MATERIAL	DWG/MATL No.	CODE	Q'TY	SIZE	WEIGHT	REMARK
-----	------	----------	--------------	------	------	------	--------	--------



SHAFT ARRANGEMENT  
& DIRECTION OF ROTATION

No.		DATE	DESCRIPTION OF REVISION	DESIGNED	CHECKED	REVIEWED	APPROVED	DATE	2013-09-26
2013.10.16			CHANGED MISWRITE						
2013.09.26			CHANGED LIFTING LUG						
DWG NAME: 기어박스 외형도 DIMENSION: EK1D000122 UNIT: mm SCALE: 1:3.5				DESIGNED: 박선희 CHECKED: 서성민 REVIEWED: 김기동		APPROVED: 김기동		DATE	2013-09-26
FORM: CE-14-0100-442 DATE: 2012.02.08						REVISION NO. 02 PROJECTION		REF. NO. DSKEN563	
ITEM: SHC22 (i=28~63)				REF. NO. DSKEN563				A	