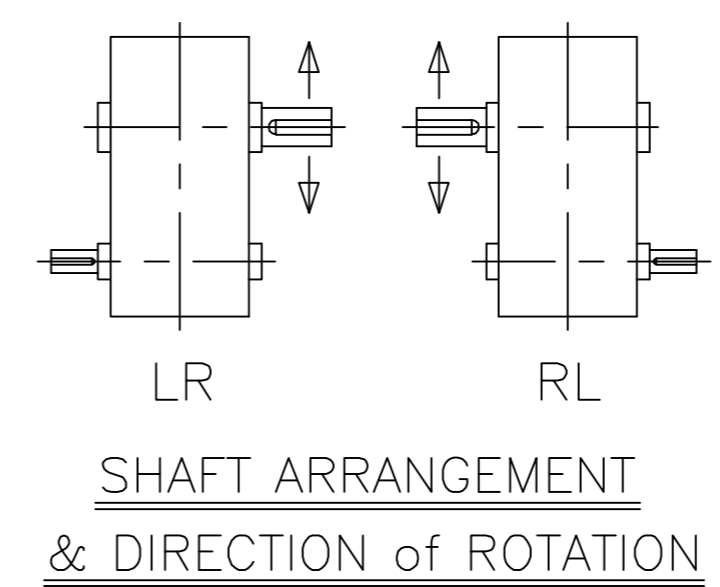
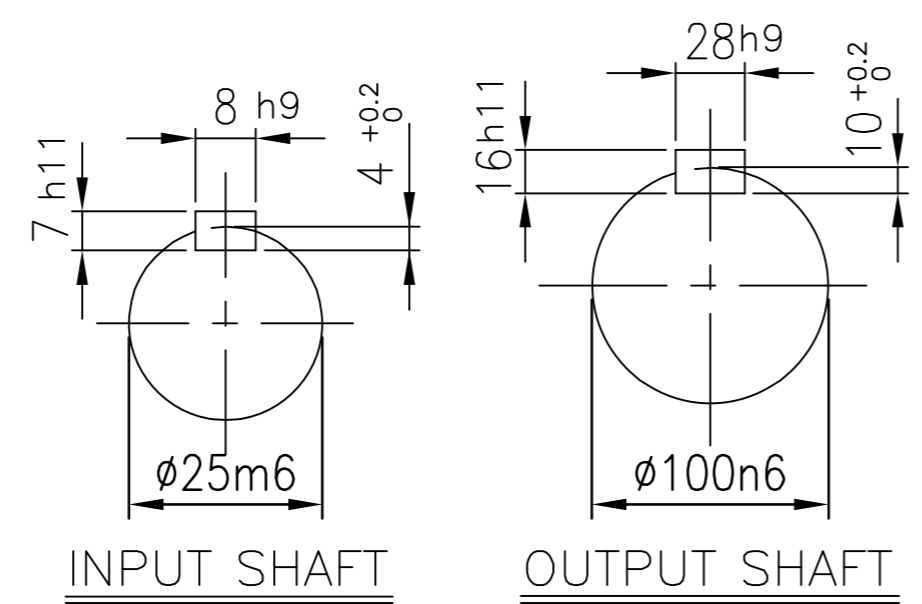
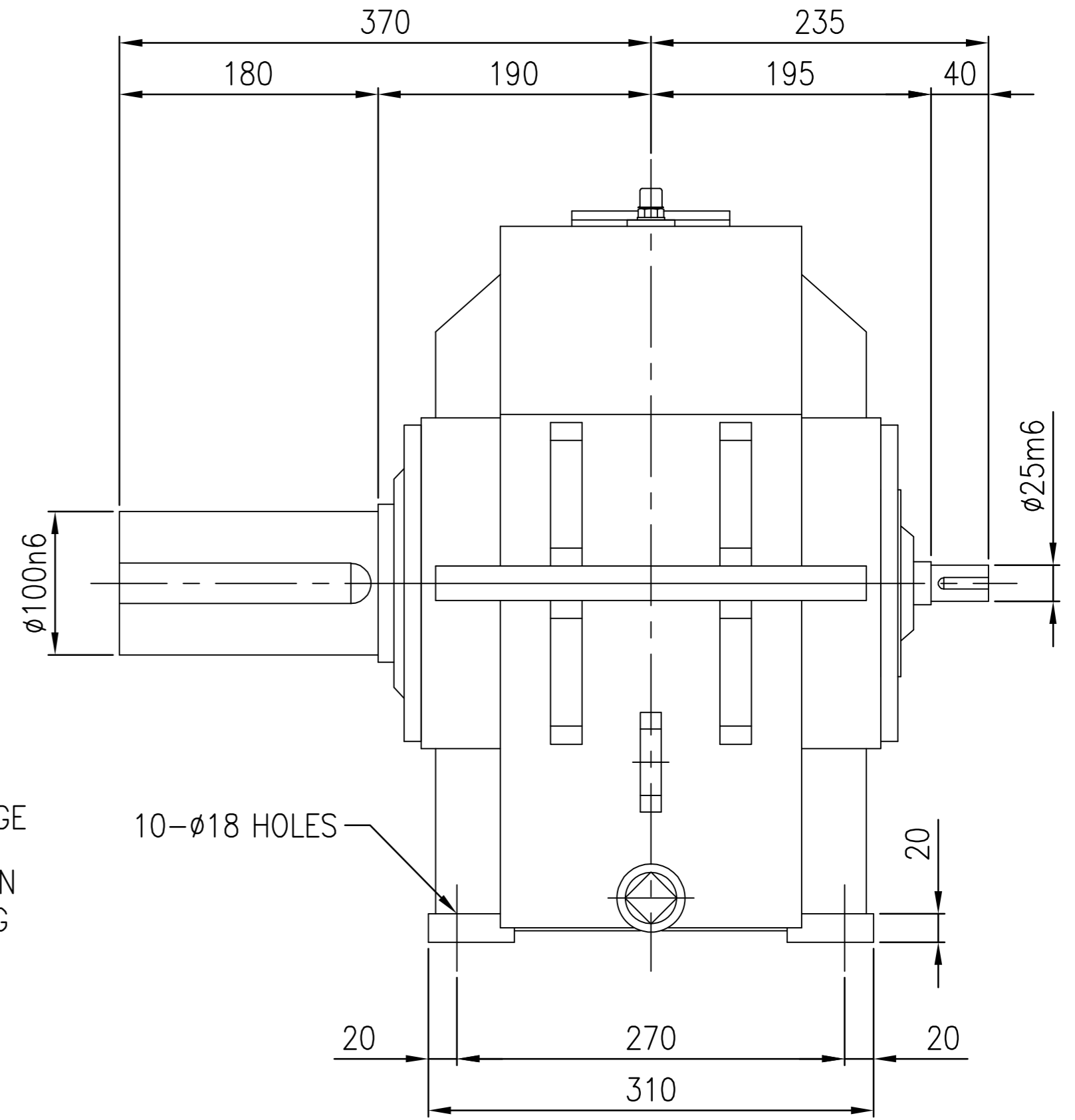
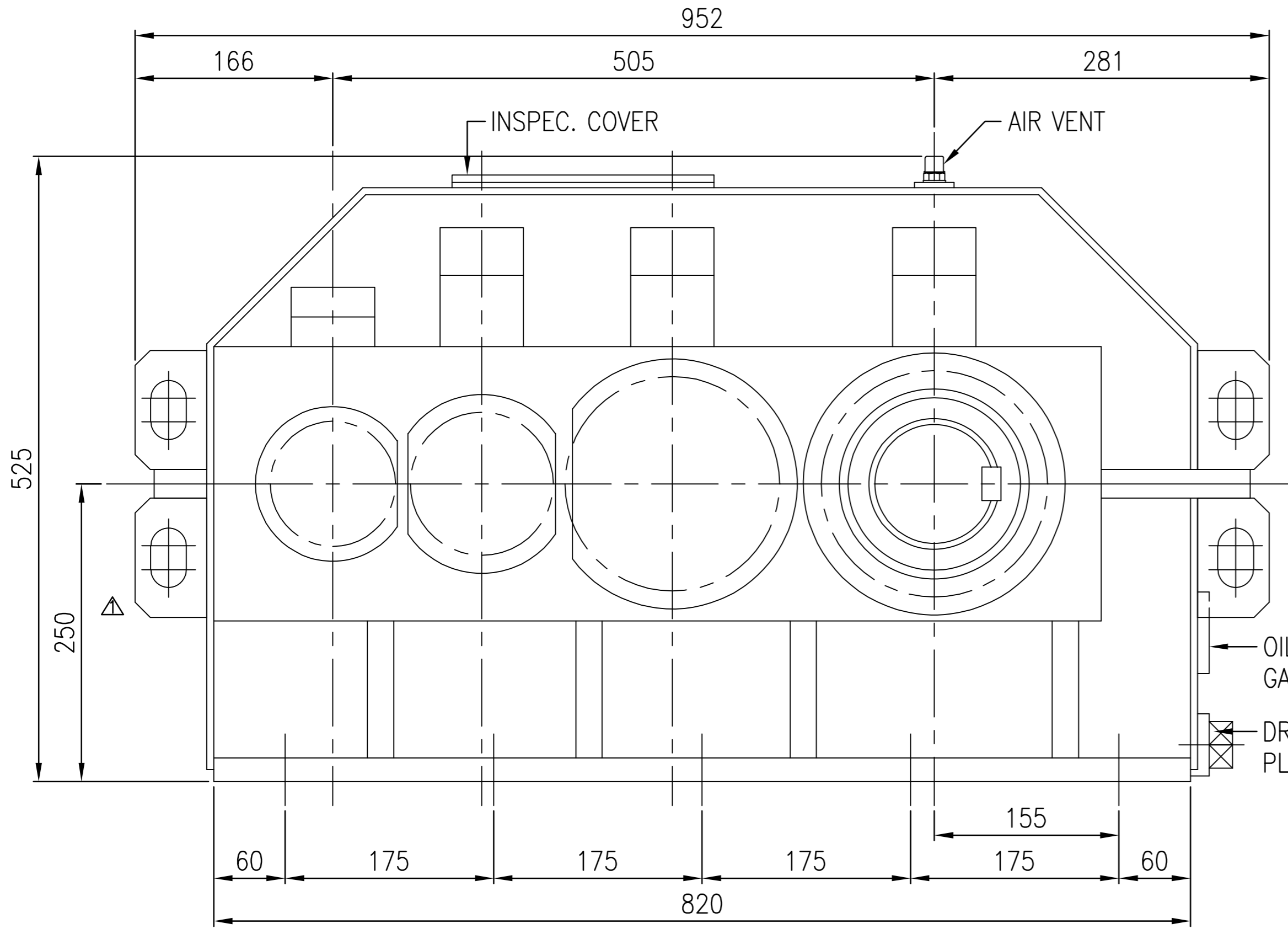


No.	NAME	MATERIAL	DWG/MATL No.	CODE	Q'TY	SIZE	WEIGHT	REMARK
-----	------	----------	--------------	------	------	------	--------	--------



DWG NAME		기어박스 외형도 DIMENSION			
2013.09.26	CHANGED LIFTING LUG	DWG No. EK1D000123		UNIT	mm
No.	DATE	DESIGNED	CHECKED	REVIEWED	APPROVED
		박선희	서성민		김기동
ITEM		SHC22 (i=71~112)		REF. NO.	DSKEN564
FORM		CE-14-0100-A42		REVISION NO.	01
2012.02.08				PROJECTION	