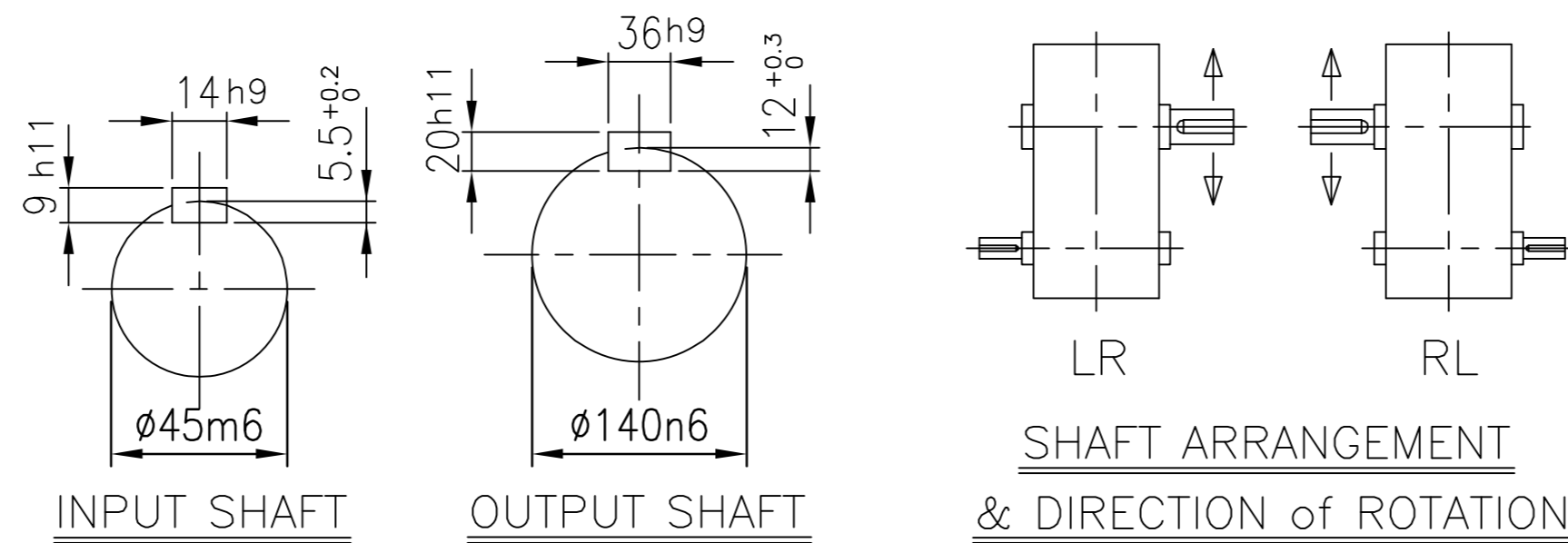
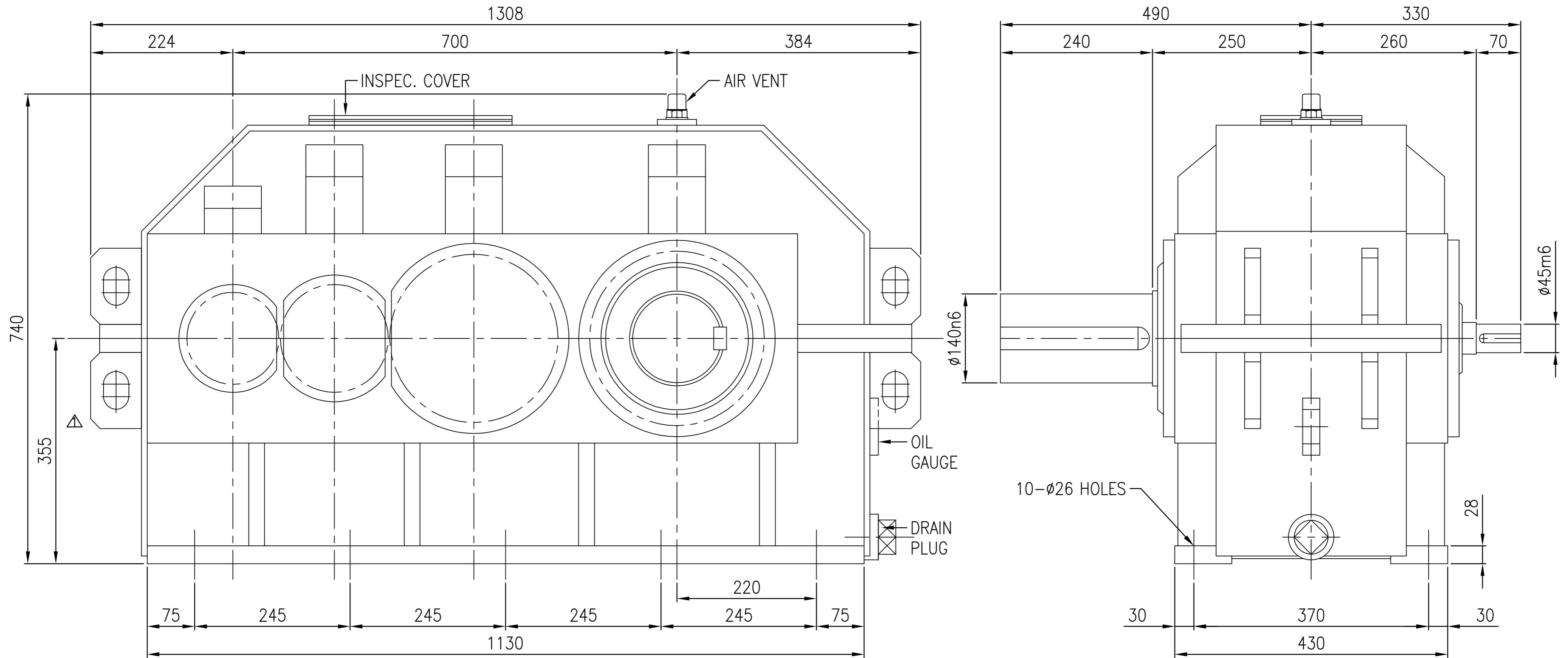


No.	NAME	MATERIAL	DWG/MATL No.	CODE	Q'TY	SIZE	WEIGHT	REMARK
-----	------	----------	--------------	------	------	------	--------	--------



DWG NAME		기어박스 외형도 DIMENSION						
DWG No.		EK1D000126		UNIT	mm			
SCALE		1:4.5						
No.	DATE	DESCRIPTION of REVISION	DESIGNED	CHECKED	REVIEWED	APPROVED	DATE	2013-09-26
FORM		HYOSUNG				REVISION NO.		01
ITEM		SHC32 (i=28~63)		REF. NO.		DSKEN567		(A)

이 도면에 표시된 정보는 (주)효성의 소유이며 당사의 서면 서면동의 없이 무단사용을 금합니다. The information written in this drawing is HYOSUNG's property, and may not be disclosed and/or reproduced without the prior official permission of HYOSUNG Corp.