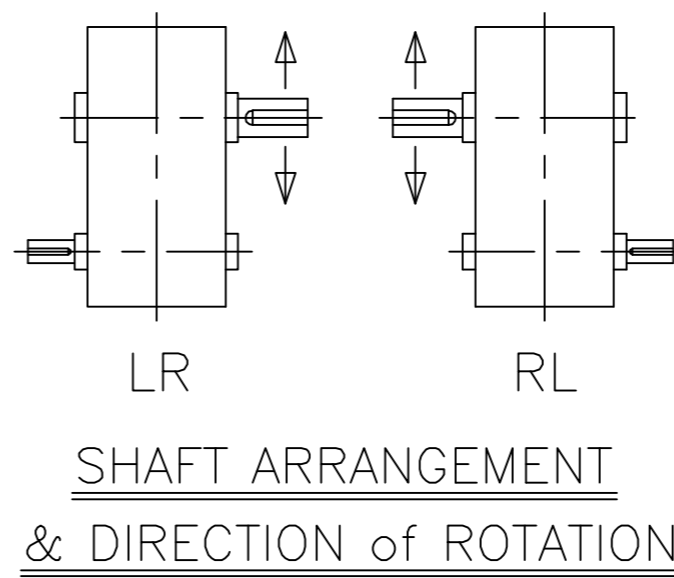
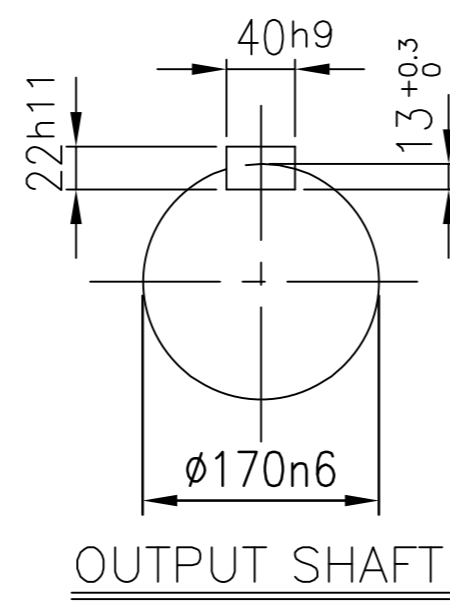
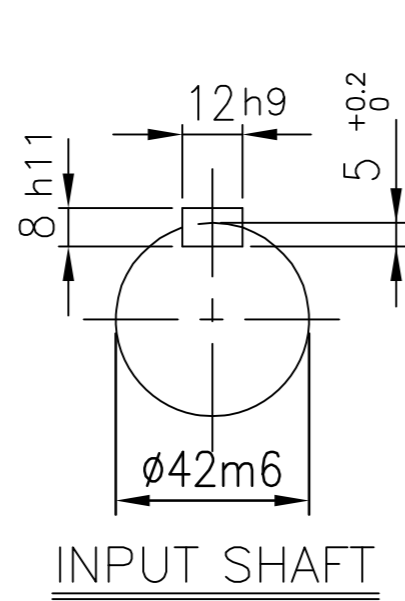
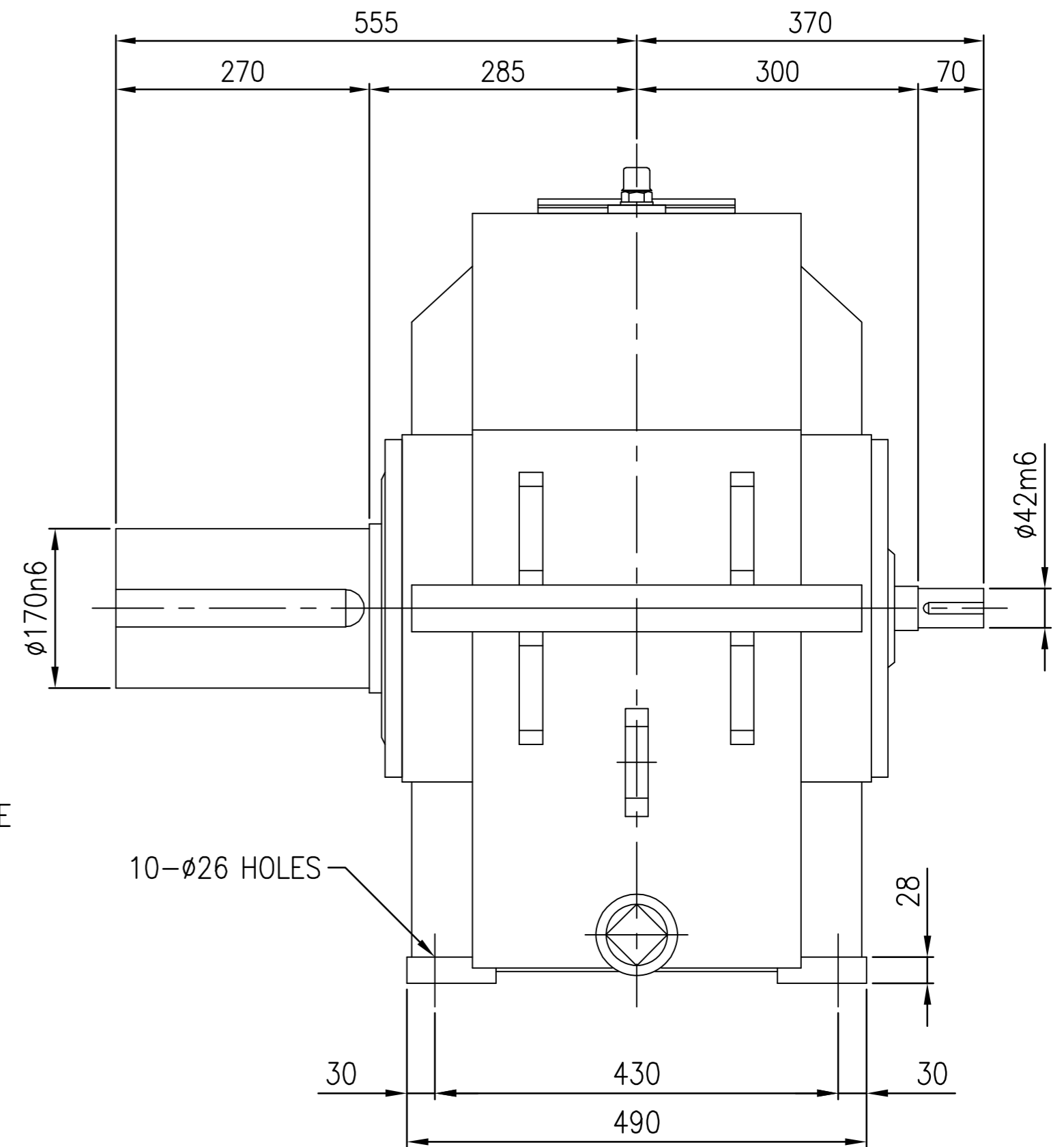
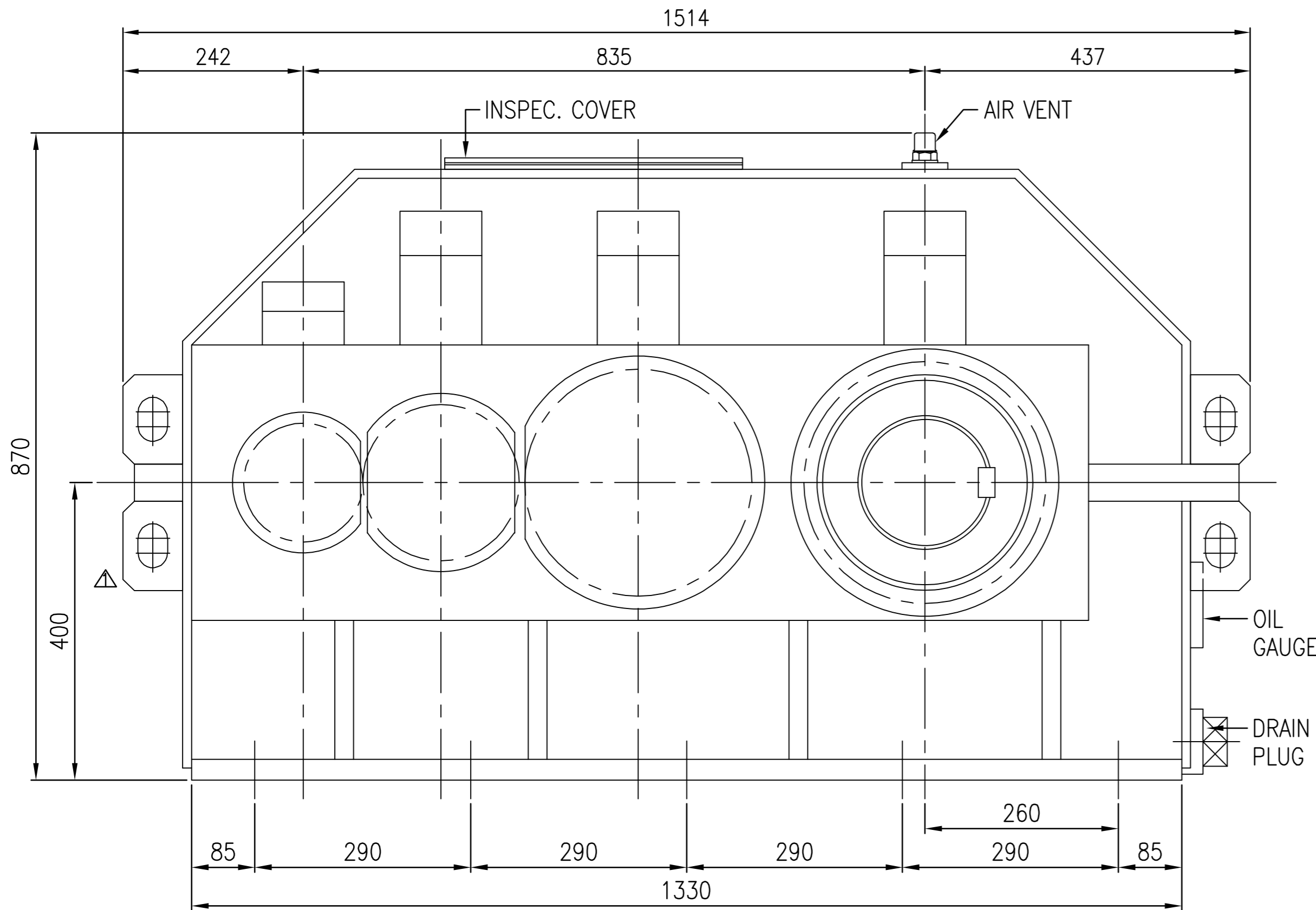


No.	NAME	MATERIAL	DWG/MATL No.	CODE	Q'TY	SIZE	WEIGHT	REMARK
-----	------	----------	--------------	------	------	------	--------	--------



DWG NAME		기어박스 외형도			
DIMENSION		DIMENSION			
2013.09.26	CHANGED LIFTING LUG	DWG No. EK1D000129		UNIT	mm
No.	DATE	DESIGNED	CHECKED	REVIEWED	APPROVED
2013.10.24	박선향	2013.10.24	서성민	2013.10.24	김기동
FORM CE-14-0100-442 2012.02.08		HYOSUNG		REVISION NO.	01
ITEM SHC38 (i=71~112)		REF. NO.		DSKEN570	
				SCALE 1:5.5	
				DATE 2013-09-26	
				PROJECTION	